

Corner Clamp-On Desk Drawer

SKU: DESK-DR3C

Instruction Manual

Assembly Video & Product Info
www.vivo-us.com/products/desk-dr3c



! CAUTION! !

If you do not understand these directions, or if you have any doubts about the safety of the installation, please contact our product support team at 309-278-5303 or help@vivo-us.com for further assistance. Check carefully to make sure there are no missing or defective parts. Improper installation may cause damage or serious injury. Do not use this product for any purpose that is not explicitly specified in this manual. Do not exceed weight capacity. We cannot be liable for damage or injury caused by improper mounting, incorrect assembly or inappropriate use.



WARNING: CHOKING HAZARD

SMALL PARTS - NOT FOR CHILDREN UNDER 3 YEARS. ADULT SUPERVISION IS REQUIRED.



DO NOT EXCEED WEIGHT CAPACITY

FAILURE TO DO SO MAY RESULT IN SERIOUS INJURY.

We're Here for You

Open **Monday - Friday 7:00am - 7:00pm CST**, our dedicated support team can offer immediate assistance with rapid response times. If any parts are received damaged or defective, please contact us. We are happy to replace parts to ensure you have a fully functioning product.



Give us a Call:
309-278-5303

AVG. RESOLUTION TIME (*within office hrs*): **5M 4S**



Chat Us:
www.vivo-us.com

AVG. RESOLUTION TIME (*within office hrs*): **< 15 M**



Email Us:
help@vivo-us.com

AVG. RESPONSE TIME (*within office hrs*): **1HR 8M**

- 23% within < 15m
- 38% within < 30m
- 61% within < 1hr
- 83% within < 2hr
- 92% within < 3hr

Tools Needed:



**Phillips
Screwdriver**

Weight Capacity:



Package Contents

Top Drawer



A (x1)
Top Drawer Front



B (x1)
Left Top Drawer Side

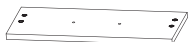


C (x1)
Right Top Drawer Side



E (x1)
Top Drawer Back

Bottom Drawer



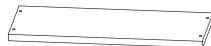
F (x1)
Bottom Drawer Front



G (x1)
Bottom Drawer Left



H (x1)
Bottom Drawer Right



I (x1)
Bottom Drawer Back

Main Housing



L (x1)
Left Housing Side



M (x1)
Right House Side



N (x1)
Housing Shelf



O (x1)
Housing Back

Other Assembly Parts



D (x2)
Drawer Bottom



J (x2)
Handle



K (x4)
Drawer Slides



P (x2)
Clamping Brace



Q (x3)
Clamp

Included Hardware & Tools



S-A (x4)
M4x16mm Screw



S-B (x12)
Cam Lock Screw



S-C (x12)
Cam Lock Nut



S-D (x14)
ST3.9x25mm Screw



S-E (x16)
ST3.5x9.5mm
Screw



S-F (x3)
M5x12mm Screw



S-G (x6)
M5x25mm Screw

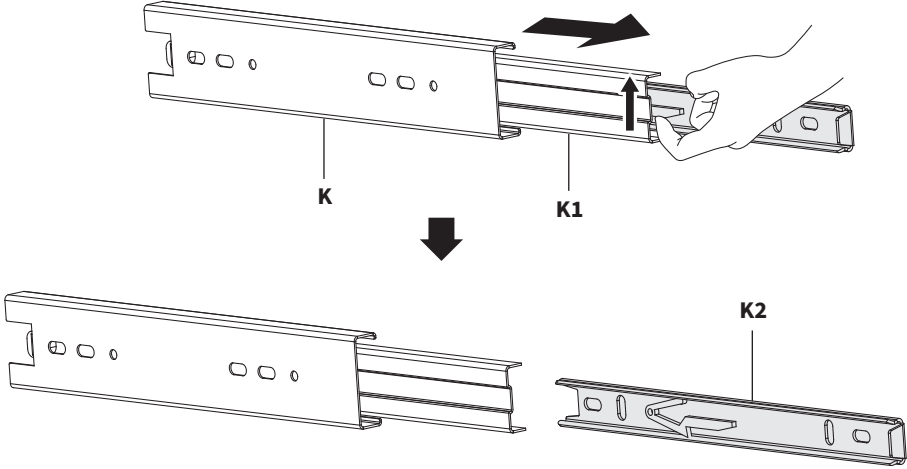


T-A (x1)
3mm Allen Wrench

ASSEMBLY STEPS

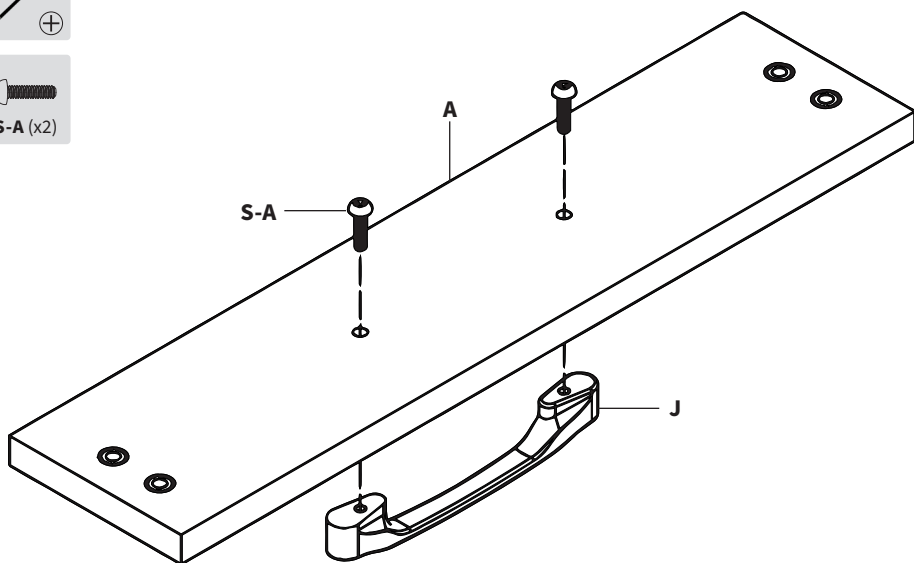
STEP 1

Slide open Drawer Slides (**K**), pull the lever on Internal Slides (**K2**), and slide out Internal Drawer Slides (**K2**) from External Slides (**K1**).



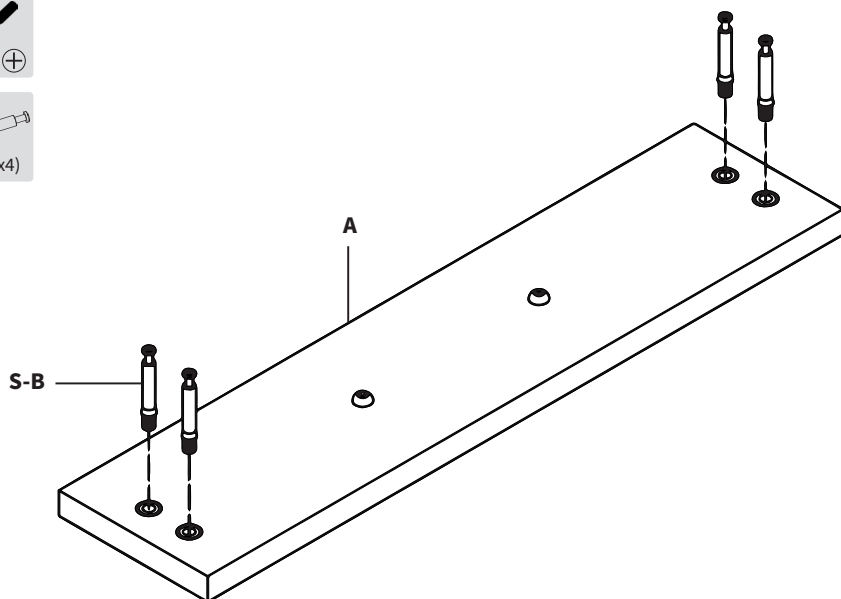
STEP 2

Install Handle (**J**) to Top Drawer Front (**A**) using M4x16mm Screws (**S-A**) and a Phillips screwdriver.



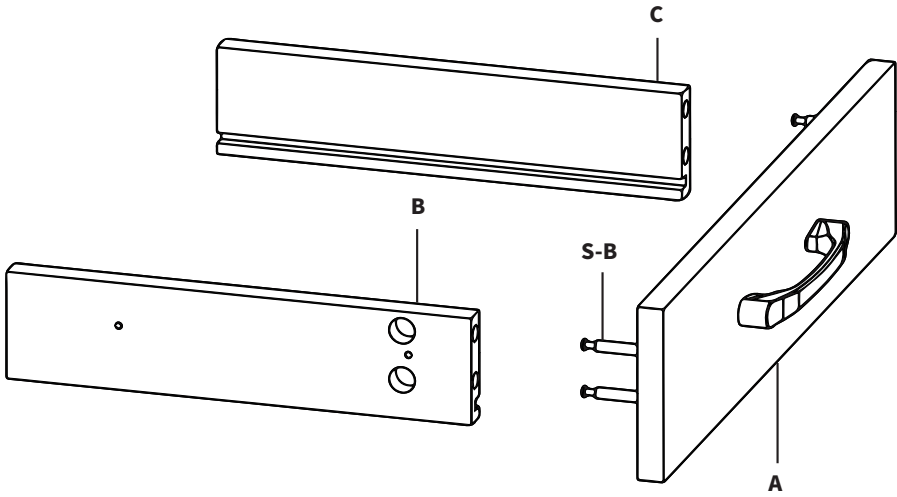
STEP 3

Attach Cam Lock Screws (**S-B**) to Top Drawer Front (**A**) using a Phillips screwdriver.

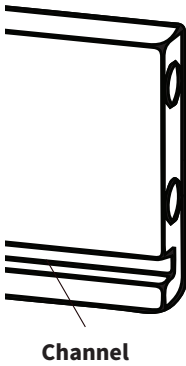


STEP 4

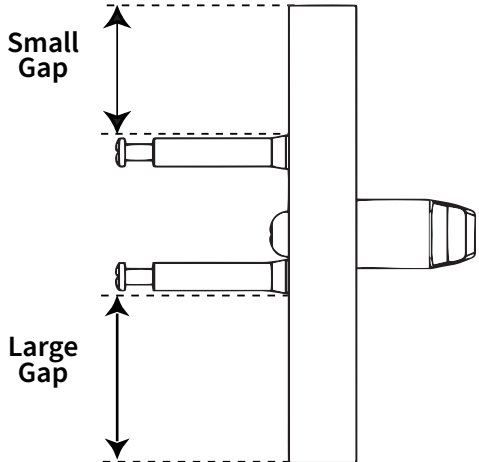
Slide Left and Right Top Drawer Sides (**B,C**) over Cam Lock Screws (**S-B**) on Top Drawer Front (**A**).



Side piece **Channels** should be on the bottom and face in towards each other.

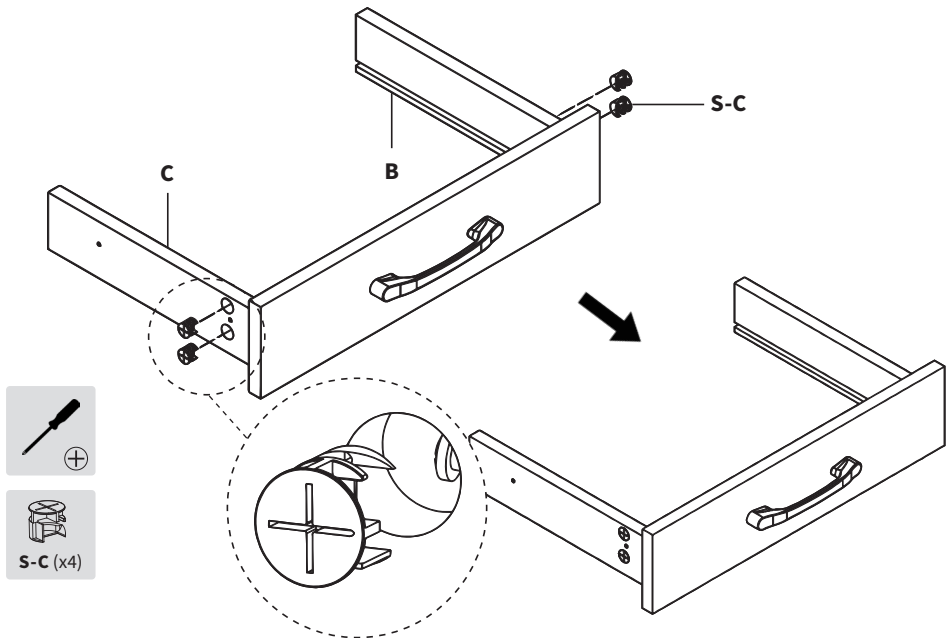


Drawer Front should be oriented with the **Small Gap** at the top.



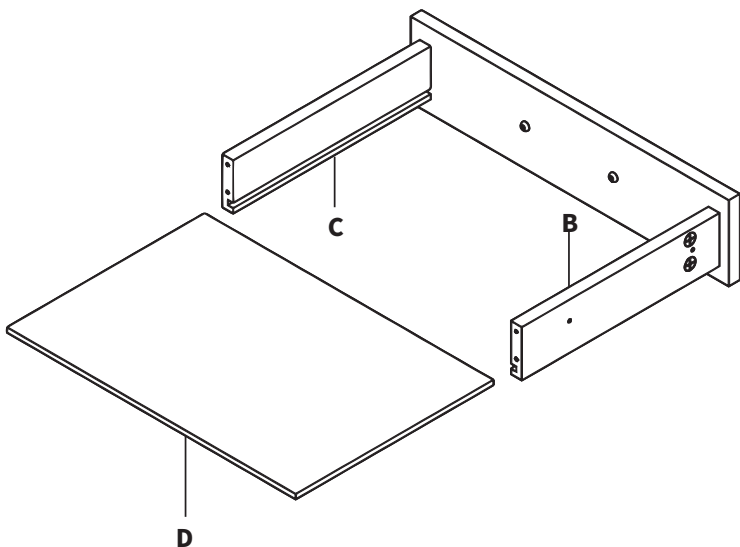
STEP 5

Insert Cam Lock Nuts (**S-C**) into Left and Right Top Drawer Sides (**B,C**) with the arrow and the opening facing towards the screw head. Using a Phillips screwdriver, turn Cam Lock Nuts (**S-C**) clockwise half a turn to tighten.



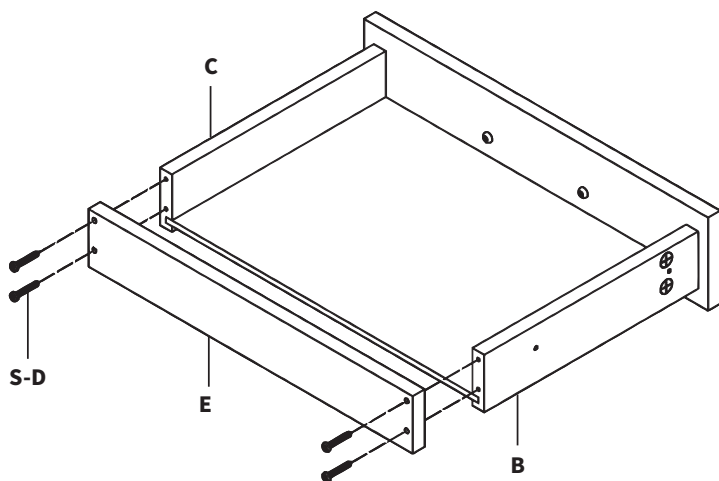
STEP 6

Slide Drawer Bottom (**D**) into the channels on Left and Right Top Drawer Sides (**B,C**).



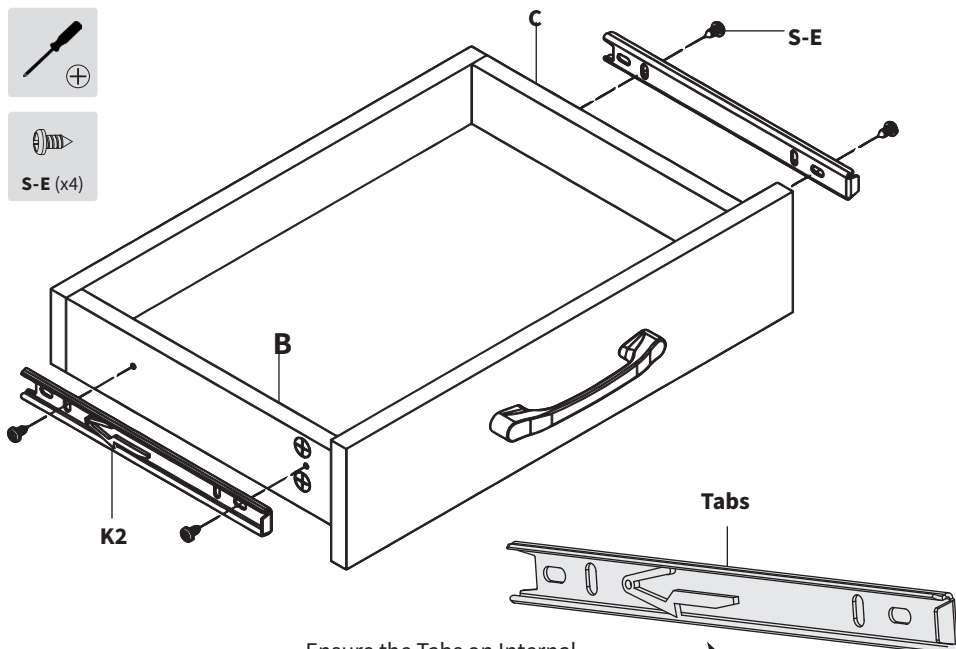
CONT'D

Install Top Drawer Back (**E**) onto Left and Right Top Drawer Sides (**B,C**) using ST3.9x25mm Screws (**S-D**) and a Phillips screwdriver.



STEP 7

Attach Internal Drawer Slides (**K2**) to Left and Right Top Drawer Sides (**B,C**) using ST3.5x9.5mm Screws (**S-E**) and a Phillips screwdriver.

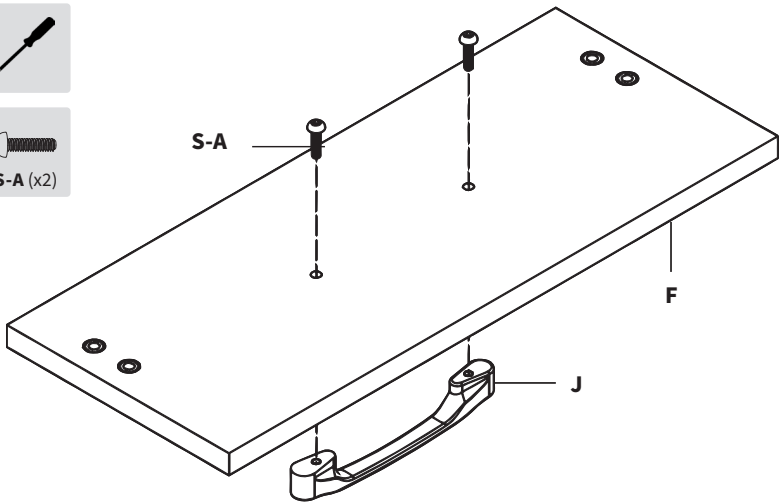


Ensure the Tabs on Internal Drawer Slides (**K2**) are facing towards the front of the drawer.



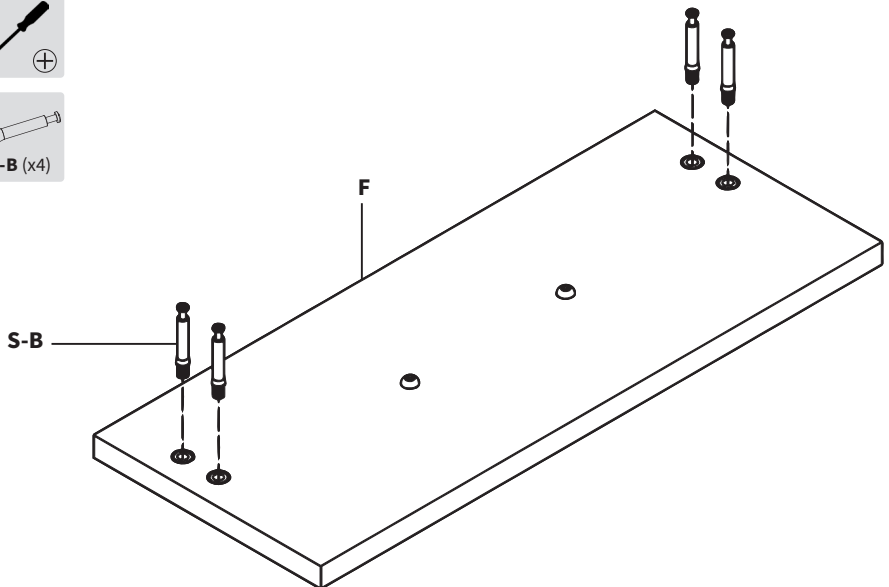
STEP 8

Install Handle (**J**) to Bottom Drawer Front (**F**) using M4x16mm Screws (**S-A**) and a Phillips screwdriver.



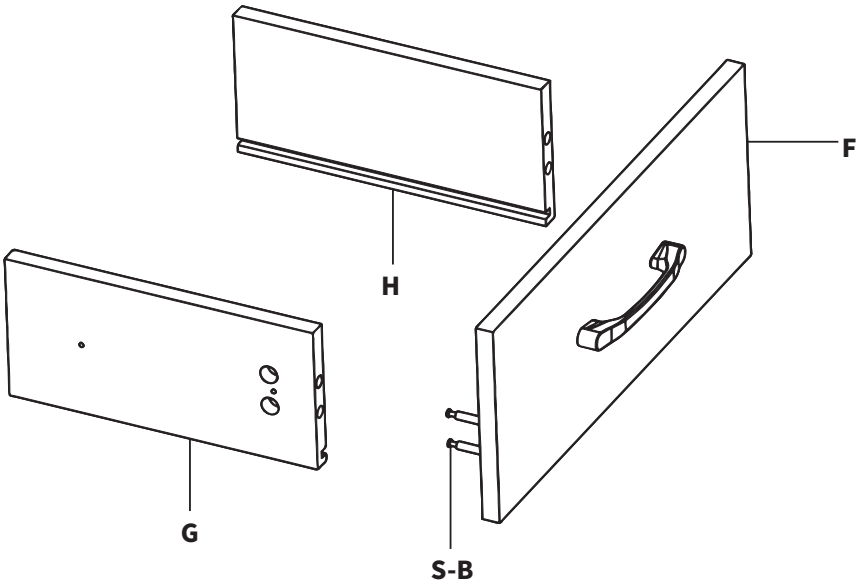
STEP 9

Attach Cam Lock Screws (**S-B**) to Bottom Drawer Front (**F**) using a Phillips screwdriver.

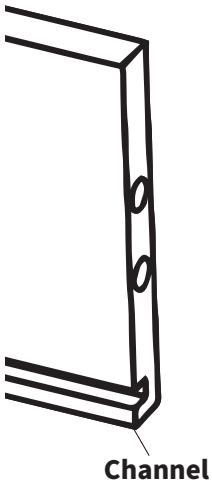


STEP 10

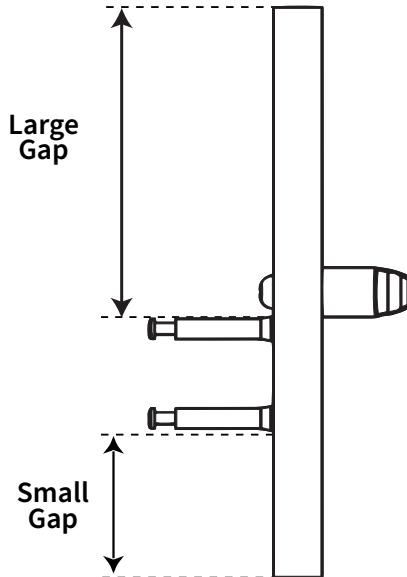
Slide Left and Right Bottom Drawer Sides (**G,H**) over Cam Lock Screws (**S-B**) on Bottom Drawer Front (**F**). Make sure the channels are towards the bottom.



Side piece **Channels** should be on the bottom and face in towards each other.

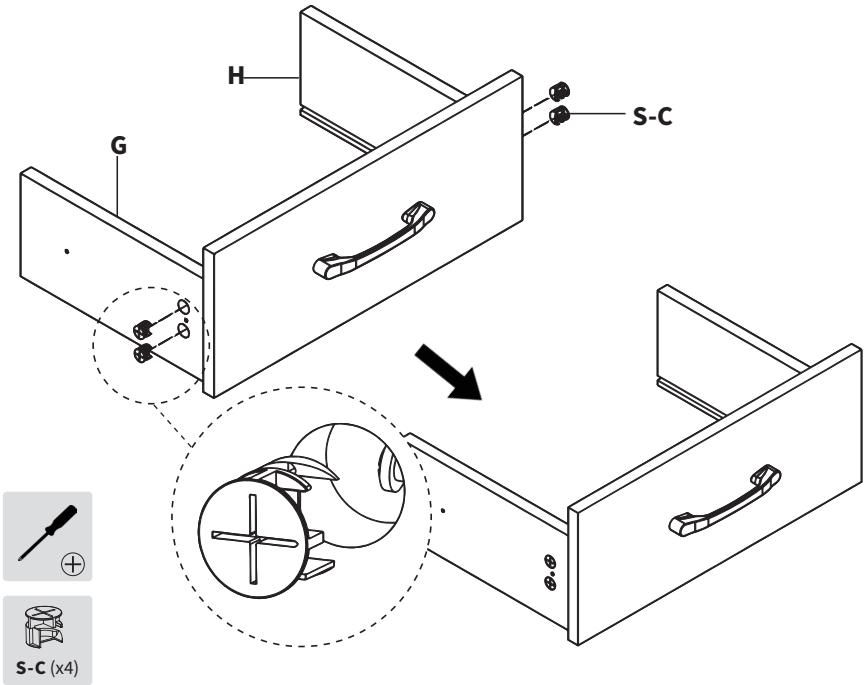


Drawer Front should be oriented with the **Large Gap** at the top.



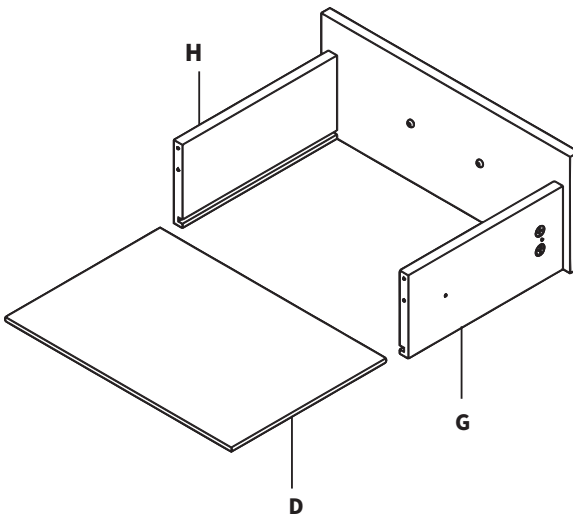
STEP 11

Insert Cam Lock Nuts (**S-C**) into Left and Right Bottom Drawer Sides (**G,H**) with the arrow and the opening facing towards the screw head. Using a Phillips screwdriver, turn Cam Lock Nuts (**S-C**) clockwise half a turn to tighten.



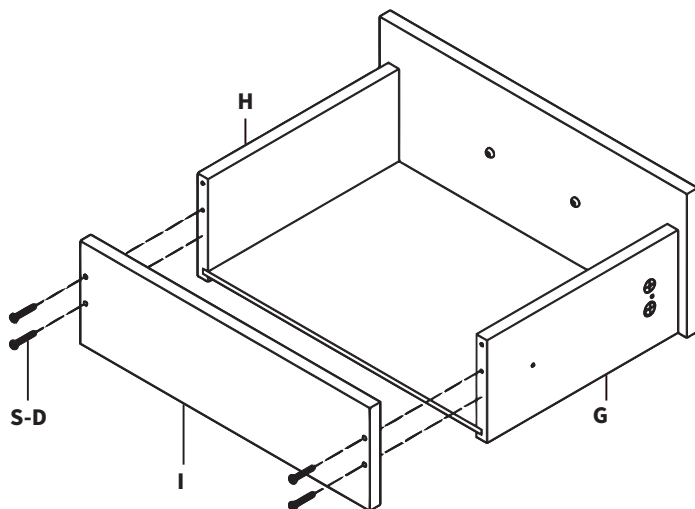
STEP 12

Slide Drawer Bottom (**D**) into the channels on Bottom Drawer Left and Right (**G,H**).



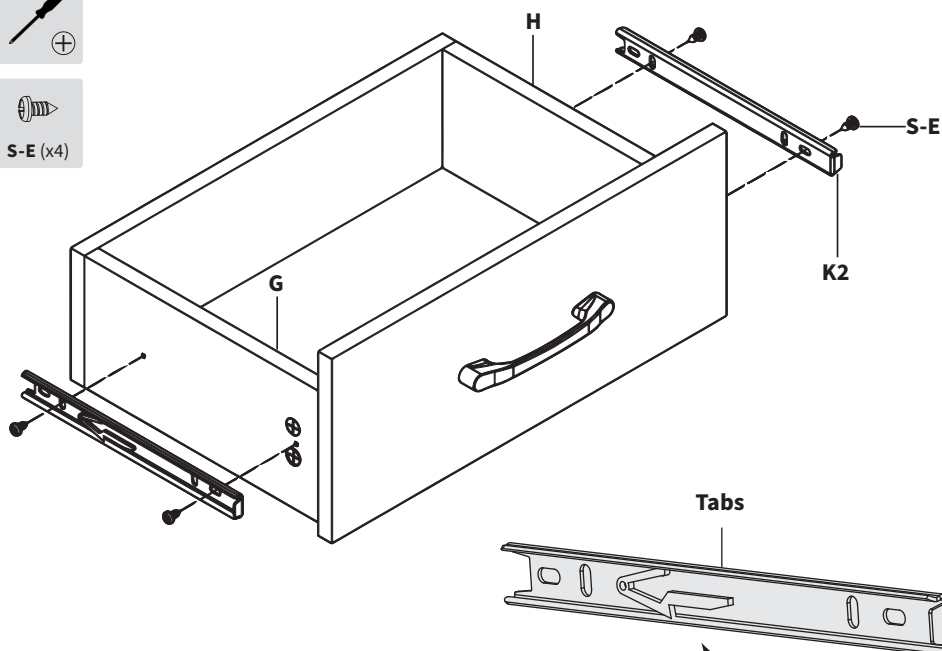
CONT'D

Install Bottom Drawer Back (**I**) onto Bottom Drawer Left and Right (**G,H**) using ST3.9x25mm Screws (**S-D**) and a Phillips screwdriver.



STEP 13

Attach Internal Drawer Slides (**K2**) to Bottom Drawer Left and Right (**G,H**) using ST3.5x9.5mm Screws (**S-E**) and a Phillips screwdriver.



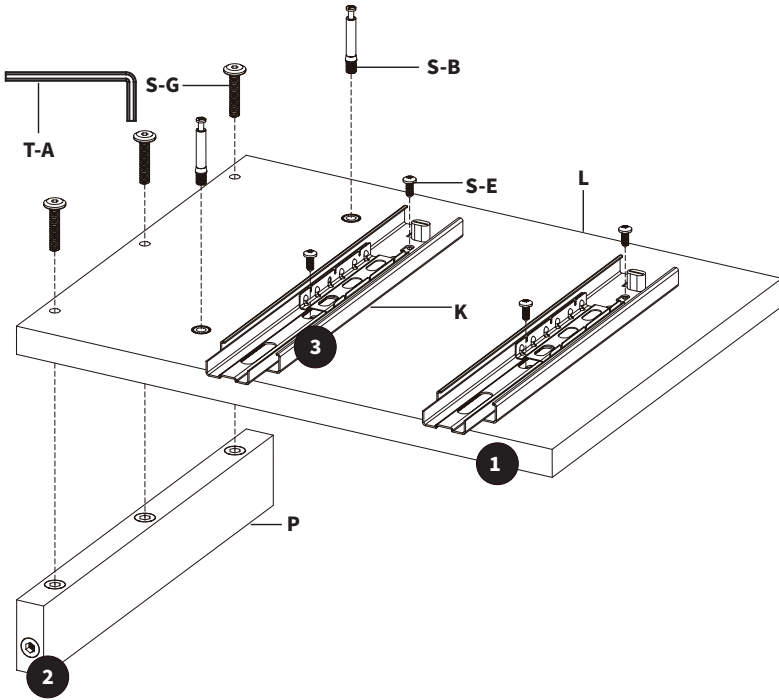
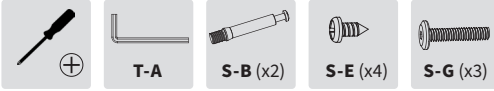
Ensure the Tabs on Internal Drawer Slides (**K2**) are facing towards the front of the drawer.



STEP 14

Secure Drawer Slides (**K**) to Left Housing Side (**L**) using ST3.5x9.5 Screws (**S-E**) and a Phillips screwdriver. Attach Cam Lock Screws (**S-B**) to Housing Left (**L**) using a Phillips screwdriver.

Attach Clamping Brace (**P**) to Left Housing Side (**L**) using M5x25mm Screws (**S-G**) using 3mm Allen Wrench (**T-A**).



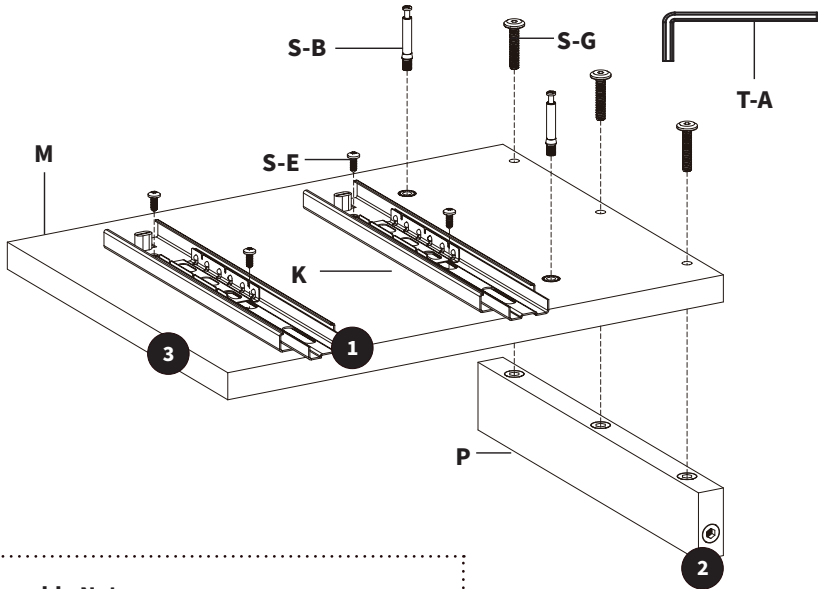
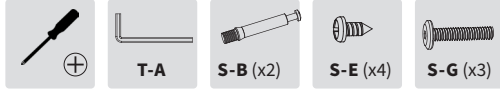
Assembly Notes:

- 1).** Rails should overhand the end without pilot holes on Housing Sides.
- 2).** Hole on Clamp Brace should face forward
- 3).** Silver Rail on Slides will need to be pulled out to install screws

CONT'D

Secure Drawers Slides (**K**) to Right Housing side (**M**) using ST3.5x9.5 Screws (**S-E**) and a Phillips screwdriver. Attach Cam Lock Screws (**S-B**) to Housing Right (**M**) using a Phillips screwdriver.

Attach Clamping Brace (**P**) to Right Hosing Side (**M**) using M5x25mm Screws (**S-G**) using 3mm Allen Wrench (**T-A**).



Assembly Notes:

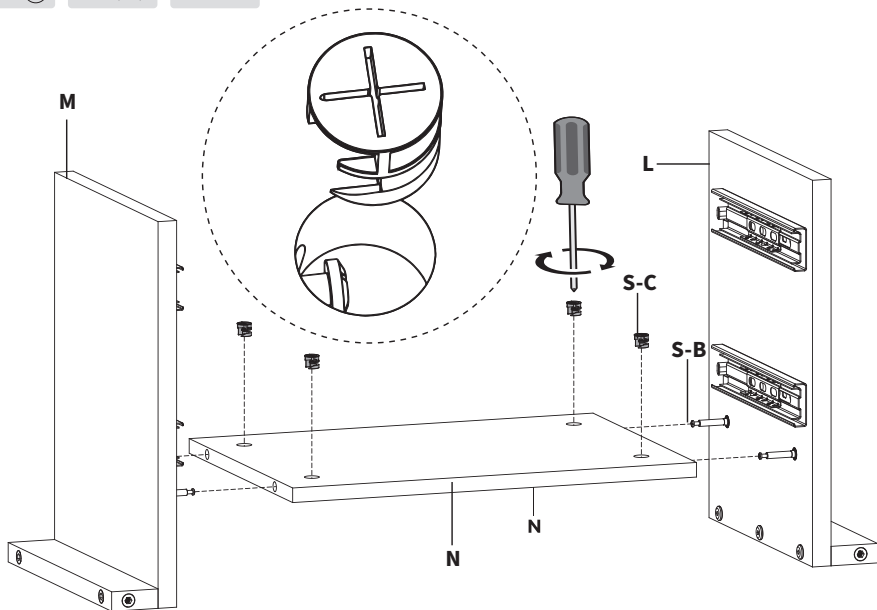
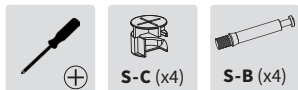
- 1). Slides should overhand the end of Housing Sides that does not have pilot holes.
- 2). Hole on Clamp Brace should face forward
- 3). Silver Rail on Slides will need to be pulled out to install screws

STEP 15

Slide Shelf (**N**) over Cam Lock Screws (**S-B**) on Right and Left Housing Side pieces (**L,M**).

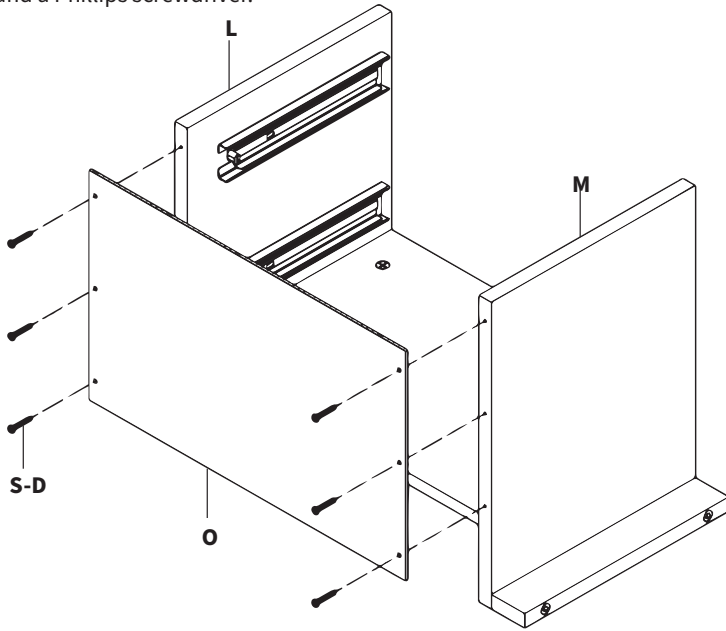
Insert Cam Lock Nuts (**S-C**) into Shelf (**N**) with the arrow and the opening facing towards the screw head.

Using a Phillips screwdriver, turn Cam Lock Nuts (**S-C**) clockwise half a turn to tighten.



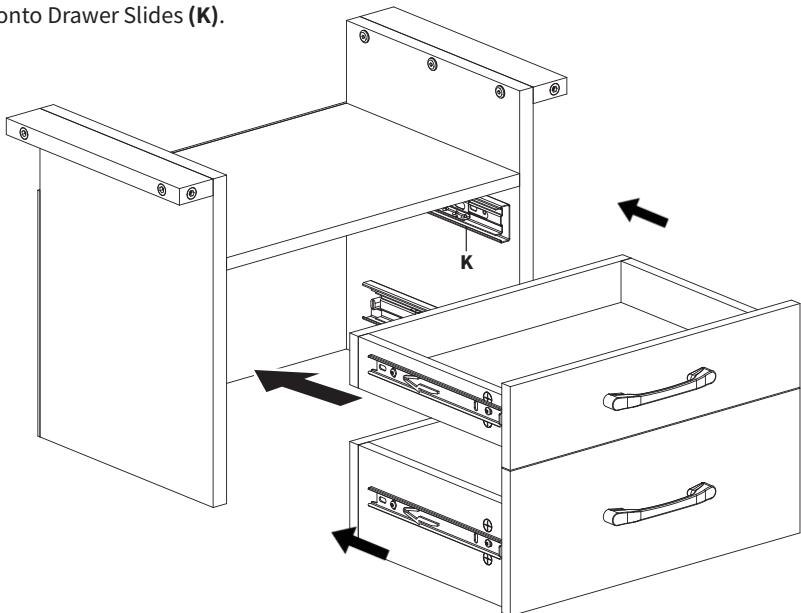
STEP 16

Attach Housing Back (**O**) to Right and Left Housing Side (**L,M**) using ST3.9x25mm Screws (**S-D**) and a Phillips screwdriver.



STEP 17

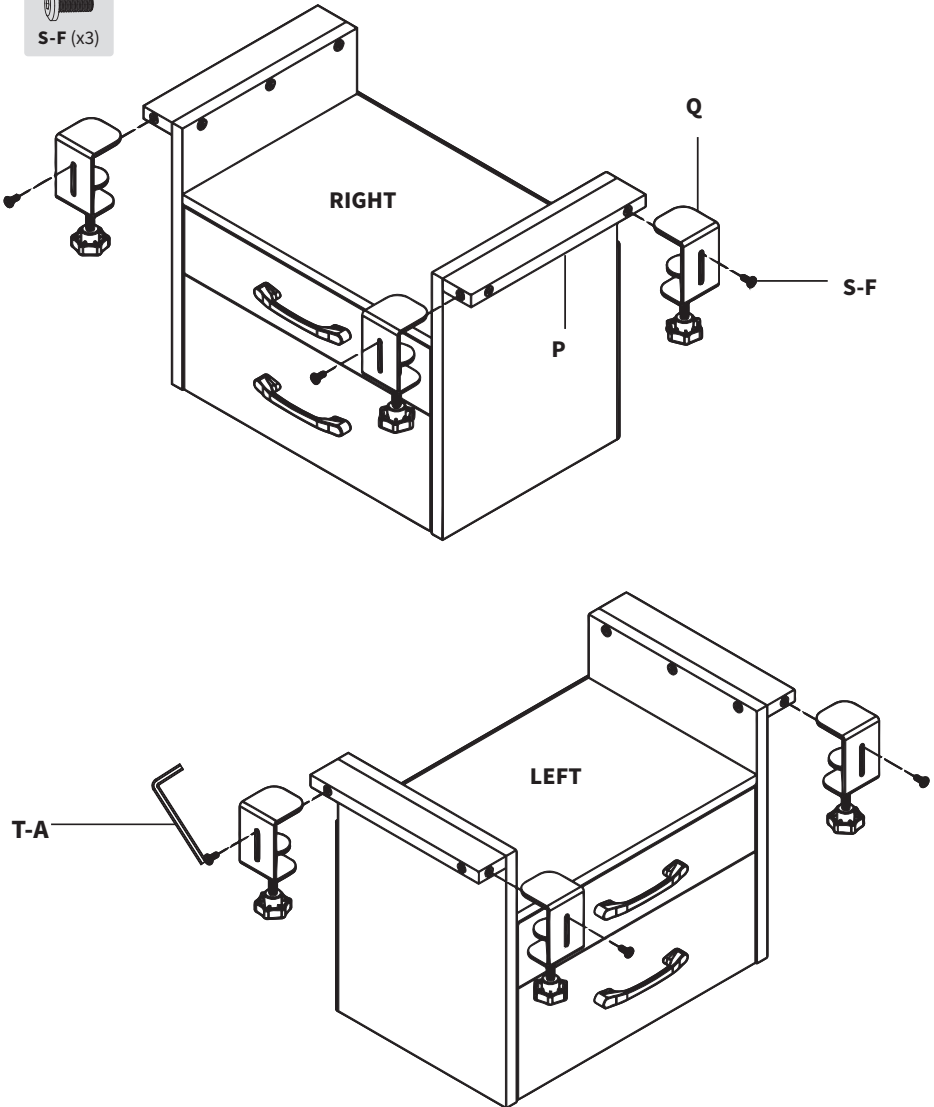
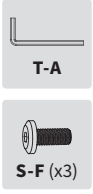
Slide drawers onto Drawer Slides (**K**).



STEP 18

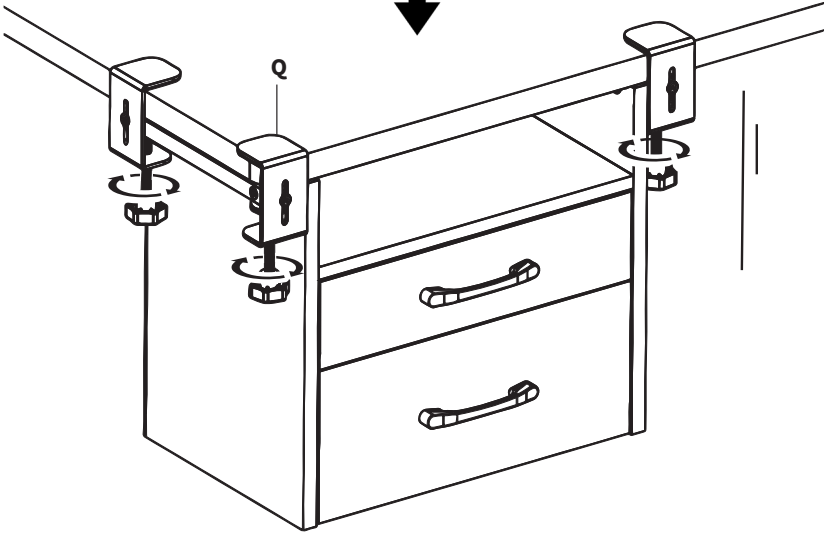
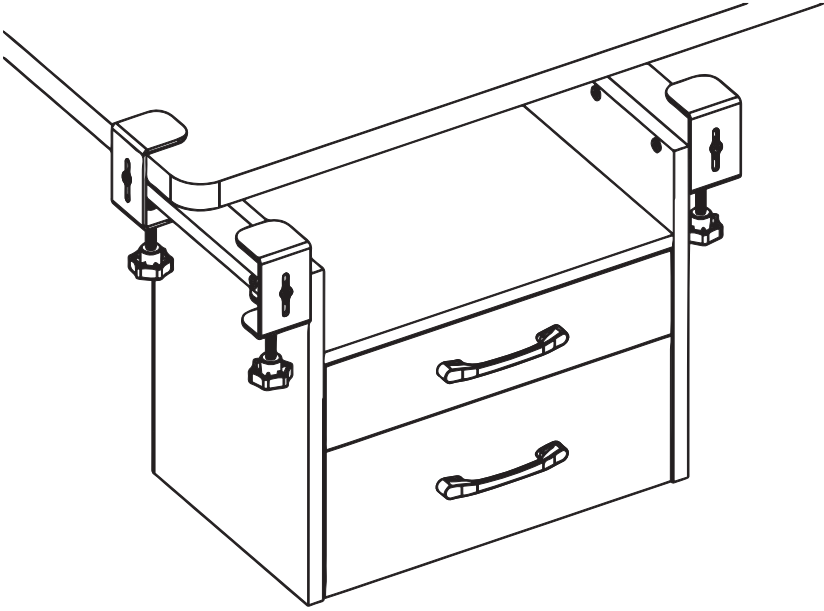
Depending on your desired installation location, install Clamps (**Q**) to Clamping Braces (**P**) using M5x12mm Screws (**S-F**) and 3mm Allen Wrench (**T-A**).

Adjust the clamp so there is a gap slightly larger than your desktop thickness. Leave the screws tight enough to hold the clamp position, do not over tighten.



CONT'D

Slide the Drawer onto the desktop and tighten Clamps (Q).



[THIS PAGE INTENTIONALLY LEFT BLANK]

LAST UPDATED: 12/26/23

REV1

v1.0



Need Help? Get In Touch

Monday-Friday from 7:00am-7:00pm CST



help@vivo-us.com



www.vivo-us.com

Chat live with an agent!



309-278-5303



VIVO-us @vivo_us

FOR MORE GREAT VIVO PRODUCTS,
CHECK OUT OUR WEBSITE AT: WWW.VIVO-US.COM