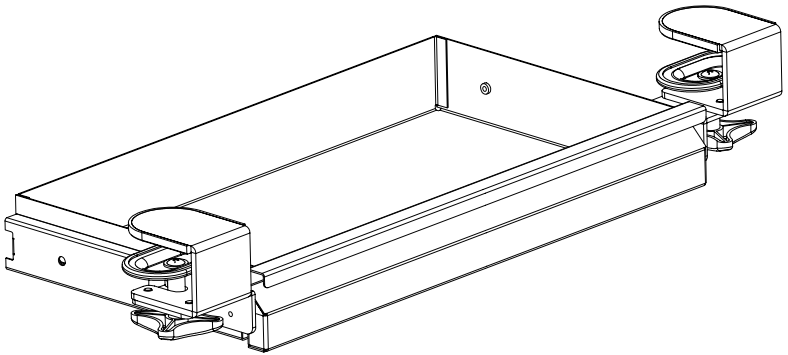




---

## Black Shallow Clamp-on Desk Drawer

### Instruction Manual



**SKU: DESK-DR2C**



Scan the QR code with your mobile device or follow the link for helpful videos and specifications related to this product.

<https://vivo-us.com/products/desk-dr2c>

---

**GET IN TOUCH** | Monday-Friday from 7:00am-7:00pm CST



help@vivo-us.com



www.vivo-us.com  
*Chat live with an agent!*



309-278-5303

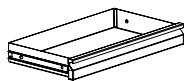
## **WARNING!**

If you do not understand these directions, or if you have any doubts about the safety of the installation, please call a qualified technician. Check carefully to make sure there are no missing or defective parts. Improper installation may cause damage or serious injury. Do not use this product for any purpose that is not explicitly specified in this manual. Do not exceed weight capacity. We cannot be liable for damage or injury caused by improper mounting, incorrect assembly or inappropriate use.

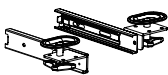
## **WARNING: CHOKING HAZARD**

SMALL PARTS - NOT FOR CHILDREN UNDER 3 YEARS. ADULT SUPERVISION IS REQUIRED.

## PACKAGE CONTENTS



**A** (x1)  
Drawer



**B** (x2)  
Slider Rails



**C** (x2)  
Upper Clamp



**D** (x2)  
Pad



**S-A** (x8)  
M5x8mm Screw

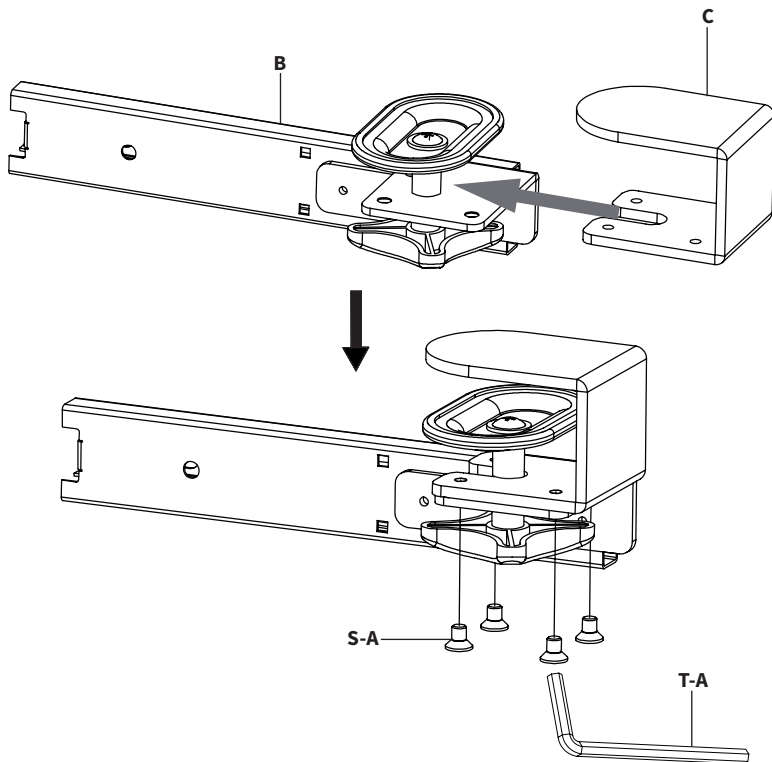


**T-A** (x1)  
3mm Allen Wrench

## ASSEMBLY STEPS

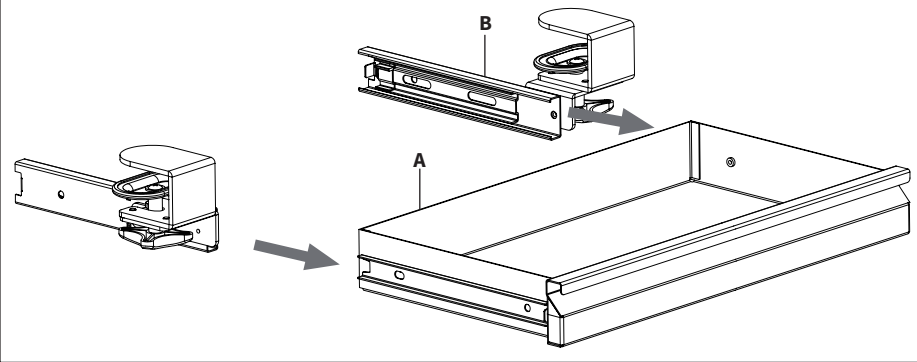
### STEP 1

Slide Upper Clamps (**C**) onto Slider Rails (**B**) and secure using M5x8mm Screws (**S-A**) and 3mm Allen Wrench (**T-A**).



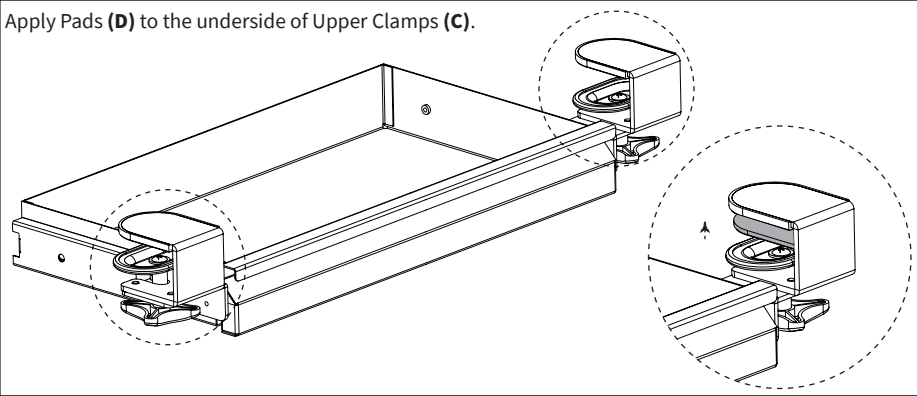
## STEP 2

Slide Slider Rails (**B**) onto Drawer (**A**), making sure they click into place.



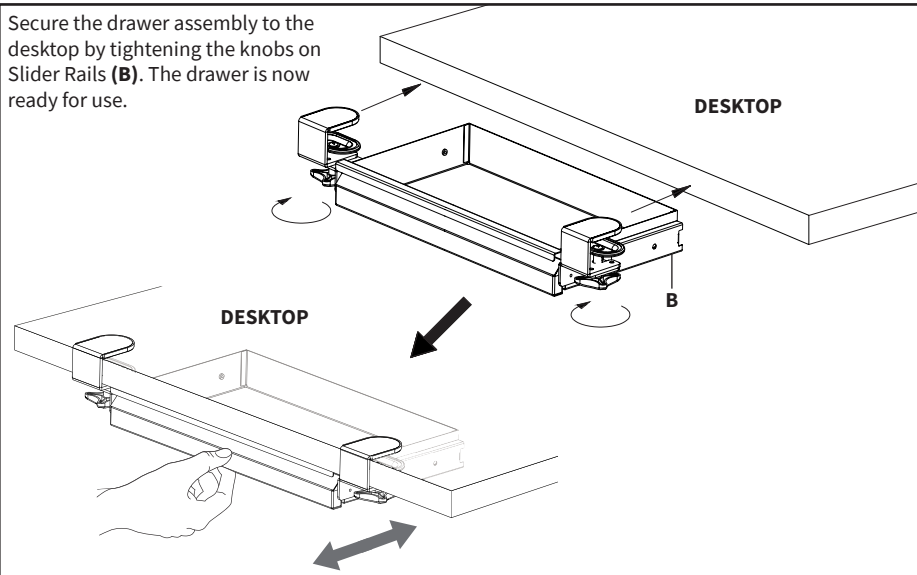
## STEP 3

Apply Pads (**D**) to the underside of Upper Clamps (**C**).



## STEP 4

Secure the drawer assembly to the desktop by tightening the knobs on Slider Rails (**B**). The drawer is now ready for use.





Love your new VIVO setup and want to share?  
Tag us in your photo! **@vivo\_us**

LAST UPDATED: 12/20/2022  
REV1



Open **Monday - Friday 7:00am - 7:00pm** CST,  
our dedicated support team can offer immediate assistance with rapid response times. If any parts are received damaged or defective, please contact us. We are happy to replace parts to ensure you have a fully functioning product.



309-278-5303

**AVG. RESOLUTION TIME** (*within office hrs*): **5M 4S**



[www.vivo-us.com](http://www.vivo-us.com)  
*Chat live with an agent!*

**AVG. RESOLUTION TIME** (*within office hrs*): **< 15 M**



[help@vivo-us.com](mailto:help@vivo-us.com)

**AVG. RESPONSE TIME** (*within office hrs*): **1HR 8M**

- 23% within < 15m
- 38% within < 30m
- 61% within < 1hr
- 83% within < 2hr
- 92% within < 3hr

FOR MORE VIVO PRODUCTS, CHECK OUT OUR WEBSITE AT: [www.vivo-us.com](http://www.vivo-us.com)