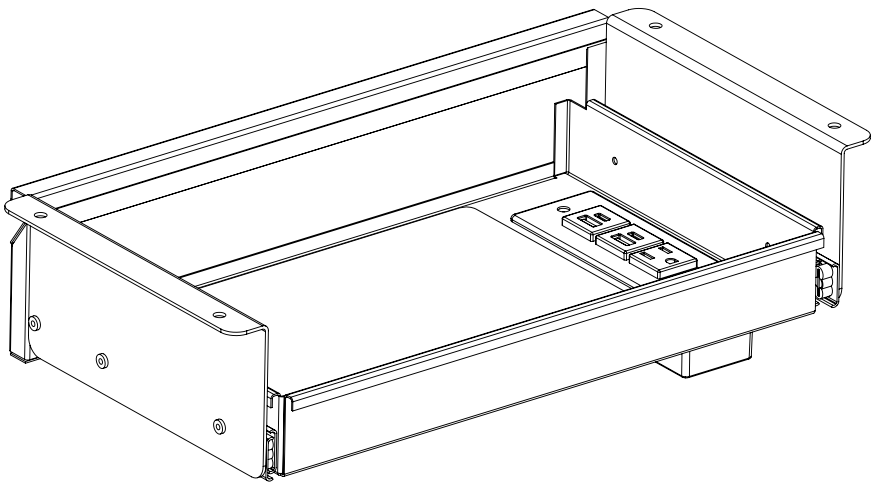


---

## Black Pull Out Under Desk Drawer with Power Strip Instruction Manual



**SKU: DESK-DR16-BP**



Scan the QR code with your mobile device or follow the link for helpful videos and specifications related to this product.

**<https://vivo-us.com/products/desk-dr16-bp>**

---

**GET IN TOUCH** | Monday-Friday from 7:00am-7:00pm CST



help@vivo-us.com



www.vivo-us.com  
*Chat live with an agent!*



309-278-5303

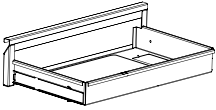
# ⚠️ WARNING!

If you do not understand these directions, or if you have any doubts about the safety of the installation, please call a qualified technician. Check carefully to make sure there are no missing or defective parts. Improper installation may cause damage or serious injury. Do not use this product for any purpose that is not explicitly specified in this manual and do not exceed weight capacity. We cannot be liable for damage or injury caused by improper mounting, incorrect assembly, or inappropriate use.

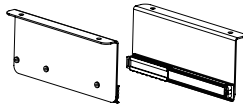
## ⚠️ WARNING: CHOKING HAZARD

SMALL PARTS - NOT FOR CHILDREN UNDER 3 YEARS. ADULT SUPERVISION IS REQUIRED.

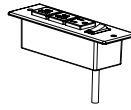
### PACKAGE CONTENTS



**A** (x1)  
Drawer



**B** (x2)  
Mounting Bracket



**C** (x1)  
Power Strip



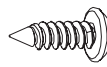
**D** (x4)  
Cable Ties



**E** (x2)  
Velcro Strap



**S-A** (x2)  
M4x6mm Screw



**M-A** (x4)  
M5x16mm Screw



**M-B** (x4)  
M5 Washer

### TOOLS NEEDED



Phillips  
Screwdriver



Drill

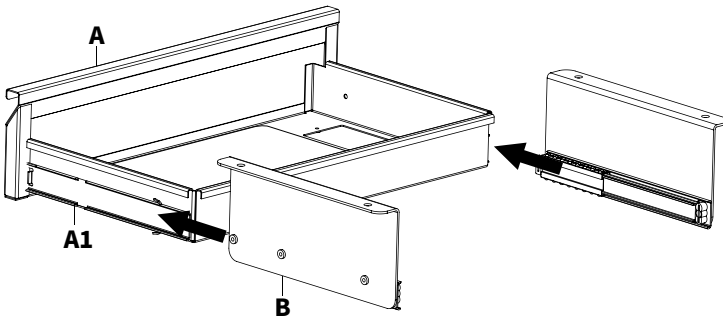
**DO NOT EXCEED WEIGHT CAPACITY.**  
Failure to do so may result in serious injury.

**11lbs**  
**(4.99kg)**

### ASSEMBLY STEPS

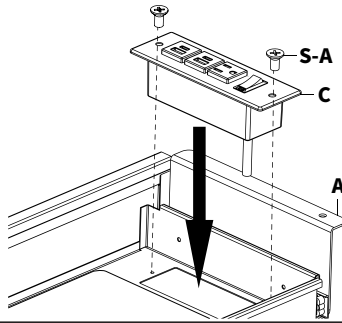
#### STEP 1

Slide Mounting Brackets (**B**) over Rails (**A1**) on both sides of Drawer (**A**) to secure in place.



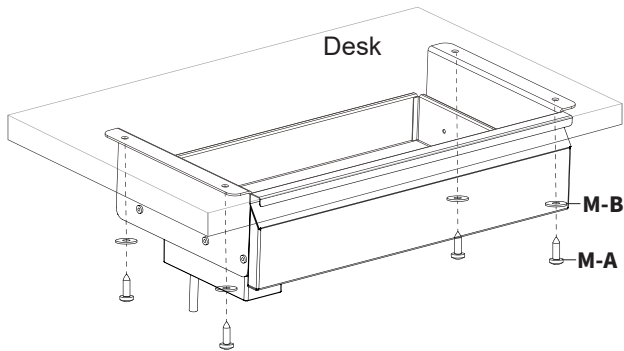
## STEP 2

Install Powerstrip (C) into slot of Drawer (A). Secure using M4x6mm Screws (S-A) and a Phillips screwdriver.



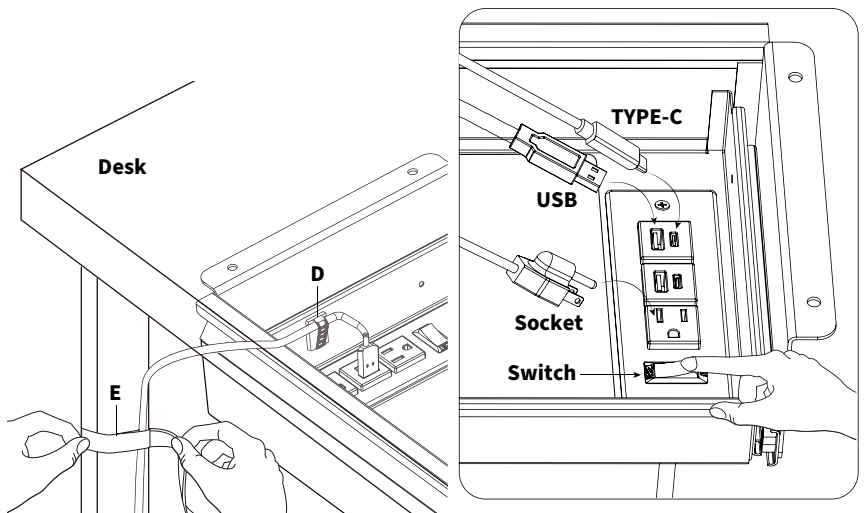
## STEP 3

Hold drawer assembly up to underside of desk and use as guide to mark drilling locations with a pencil. Drill pilot holes using a 3/32" drill bit. Mount drawer assembly using M5x16mm Screws (M-A) and Washers (M-B) and a Phillips screwdriver.



## STEP 4

Insert your desired device cables. Use Cable Ties (D) and Velcro Straps (E) to secure them in the drawer.





Open **Monday - Friday 7:00am - 7:00pm** CST,  
our dedicated support team can offer immediate assistance with rapid response times. If any parts are received damaged or defective, please contact us. We are happy to replace parts to ensure you have a fully functioning product.



309-278-5303

**AVG. RESOLUTION TIME** (*within office hrs*): **5M 4S**



[www.vivo-us.com](http://www.vivo-us.com)  
*Chat live with an agent!*

**AVG. RESOLUTION TIME** (*within office hrs*): **< 15 M**



[help@vivo-us.com](mailto:help@vivo-us.com)

**AVG. RESPONSE TIME** (*within office hrs*): **1HR 8M**

- 23% within < 15m
- 38% within < 30m
- 61% within < 1hr
- 83% within < 2hr
- 92% within < 3hr