

# Black Flush Clamp-on Desk Drawer

SKU: DESK-DR15C-B

Instruction Manual

---

Assembly Video & Product Info  
[www.vivo-us.com/products/desk-dr15c-b](http://www.vivo-us.com/products/desk-dr15c-b)



## ! CAUTION! !

If you do not understand these directions, or if you have any doubts about the safety of the installation, please contact our product support team at 309-278-5303 or [help@vivo-us.com](mailto:help@vivo-us.com) for further assistance. Check carefully to make sure there are no missing or defective parts. Improper installation may cause damage or serious injury. Do not use this product for any purpose that is not explicitly specified in this manual. Do not exceed weight capacity. We cannot be liable for damage or injury caused by improper mounting, incorrect assembly or inappropriate use.



### WARNING: CHOKING HAZARD

SMALL PARTS - NOT FOR CHILDREN UNDER 3 YEARS. ADULT SUPERVISION IS REQUIRED.



### DO NOT EXCEED WEIGHT CAPACITY

FAILURE TO DO SO MAY RESULT IN SERIOUS INJURY.

## We're Here for You

Open **Monday - Friday 7:00am - 7:00pm CST**, our dedicated support team can offer immediate assistance with rapid response times. If any parts are received damaged or defective, please contact us. We are happy to replace parts to ensure you have a fully functioning product.



Give us a Call:  
**309-278-5303**

AVG. RESOLUTION TIME (*within office hrs*): **5M 4S**



Chat Us:  
**[www.vivo-us.com](http://www.vivo-us.com)**

AVG. RESOLUTION TIME (*within office hrs*): **< 15 M**

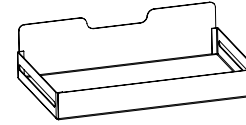


Email Us:  
**[help@vivo-us.com](mailto:help@vivo-us.com)**

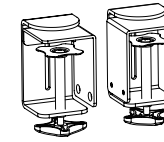
AVG. RESPONSE TIME (*within office hrs*): **1HR 8M**

- 23% within < 15m
- 38% within < 30m
- 61% within < 1hr
- 83% within < 2hr
- 92% within < 3hr

## Package Contents



**A (x1)**  
Drawer



**B (x1)**  
Clamp Set



**C (x2)**  
Threaded Plate



**D (x2)**  
Spacer



**E (x2)**  
Pad

## Included Hardware & Tools



**S-A (x4)**  
M5x8mm Screw

## Tools Needed:



**Phillips  
Screwdriver**

## Weight Capacity:



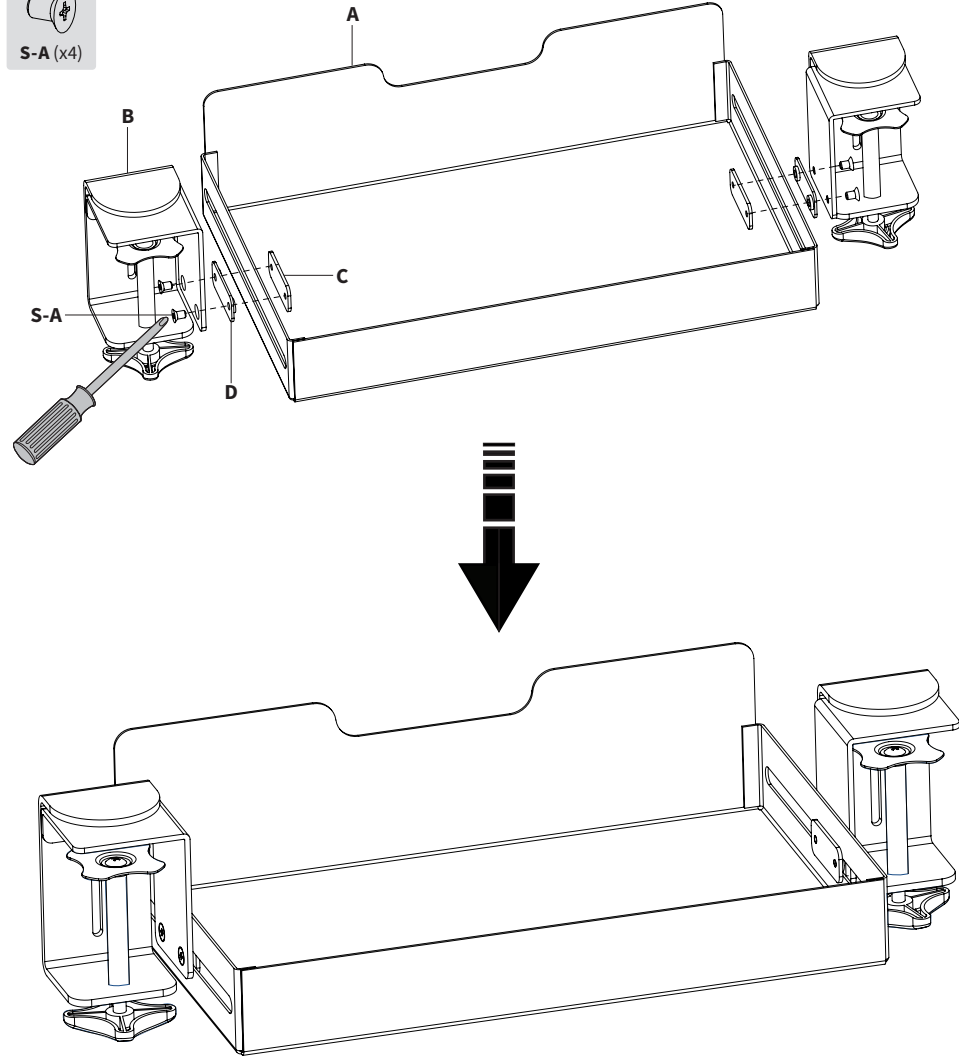
**11lbs  
(5kg)**

# ASSEMBLY STEPS

## STEP 1

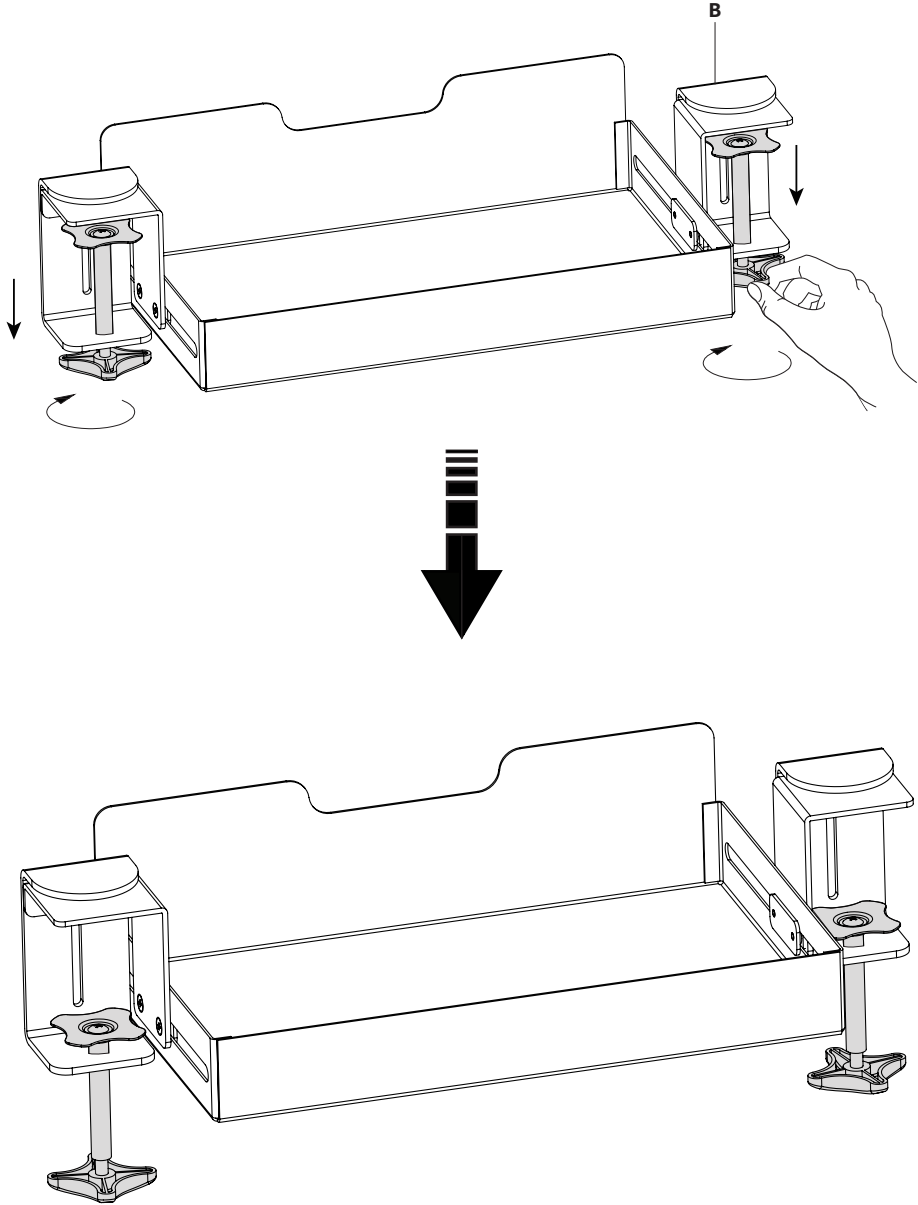
Assemble Clamps (B) to Drawer (A) using Threaded Plates (C), Spacers (D), and M5x8mm Screws (S-A). Tighten the screws using a Phillips screwdriver.

**NOTE:** The embossed cylinders on Spacers (D) should be installed where they are sitting in the slots of Drawer (A).



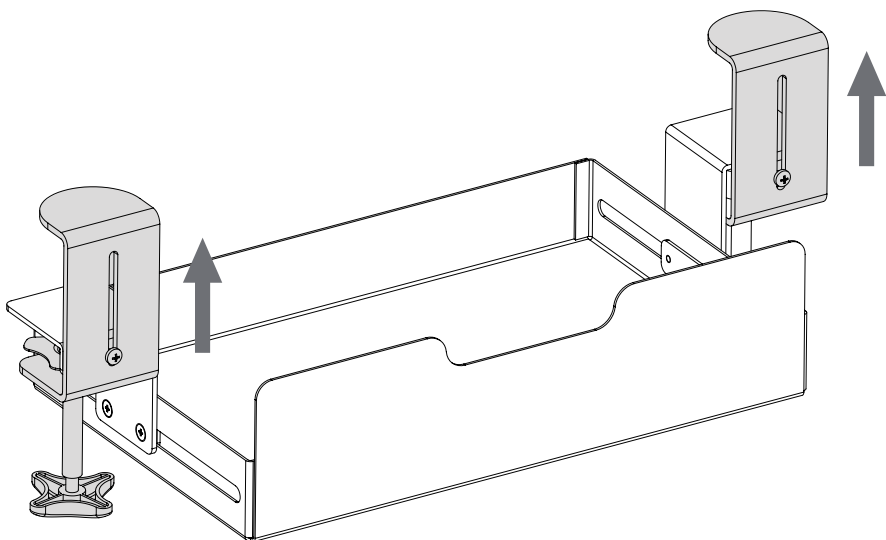
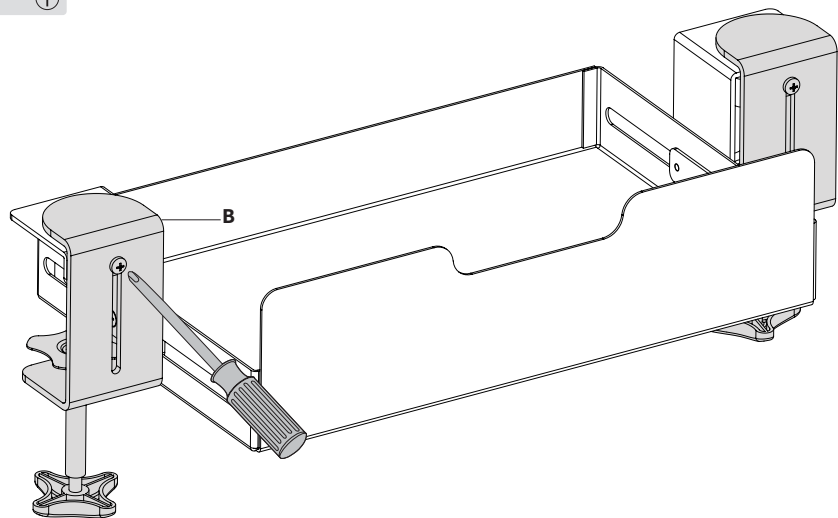
## STEP 2

Loosen the knobs on Clamps (B).



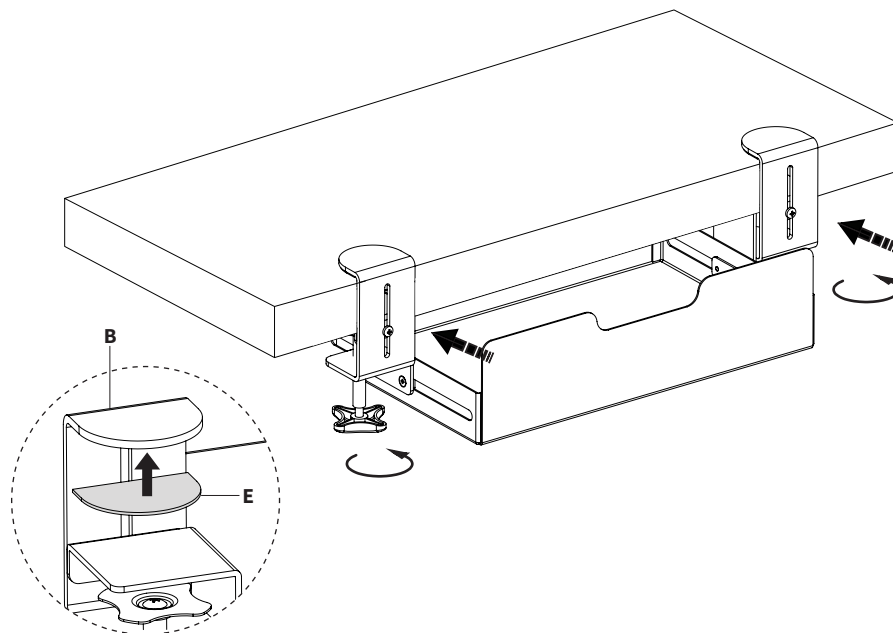
### STEP 3

Loosen the single screws on the front of Clamps (B) using a Phillips screwdriver. Adjust the clamp so that the screw is close to the bottom of the slot.

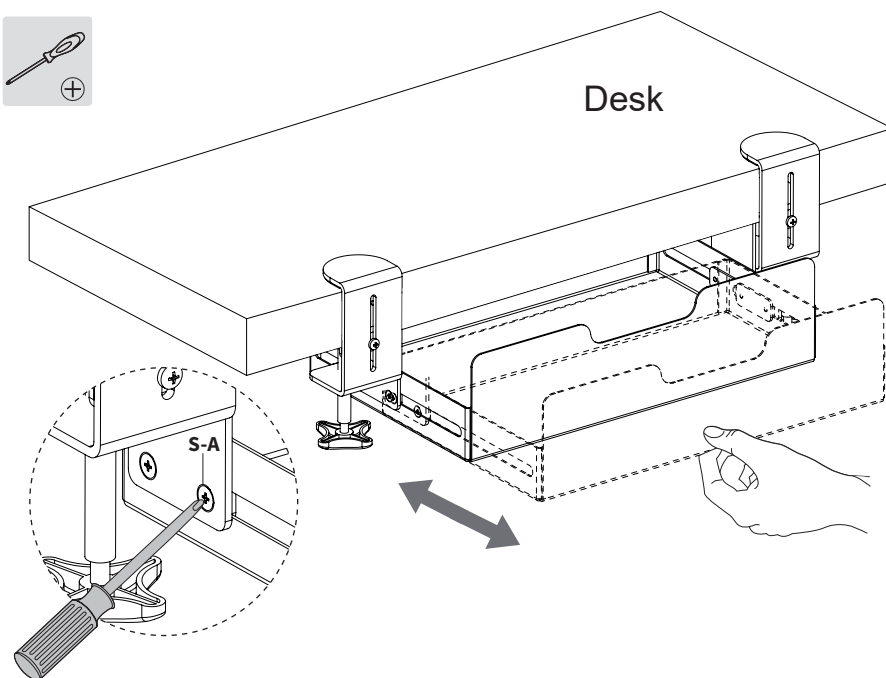


### STEP 4

Place Pads (E) on the desk surface and slide the assembled Drawer onto the desktop. Ensure Pads (E) are below the top of the clamp and tighten the knobs on Clamps (B).



To adjust the resistance of the drawers sliding motion. Loosen or tighten the M5x8mm Screws (S-A) using a Phillips screwdriver.





## **Need Help? Get In Touch**

Monday-Friday from 7:00am-7:00pm CST



[help@vivo-us.com](mailto:help@vivo-us.com)



[www.vivo-us.com](http://www.vivo-us.com)

*Chat live with an agent!*



309-278-5303



**VIVO-us**



**@vivo\_us**