

Pull Out 3 Level Under Desk Drawer

SKU: DESK-DR03
Instruction Manual

Assembly Video & Product Info
www.vivo-us.com/products/desk-dr03



! CAUTION! !

If you do not understand these directions, or if you have any doubts about the safety of the installation, please contact our product support team at 309-278-5303 or help@vivo-us.com for further assistance. Check carefully to make sure there are no missing or defective parts. Improper installation may cause damage or serious injury. Do not use this product for any purpose that is not explicitly specified in this manual. Do not exceed weight capacity. We cannot be liable for damage or injury caused by improper mounting, incorrect assembly or inappropriate use.



WARNING: CHOKING HAZARD

SMALL PARTS - NOT FOR CHILDREN UNDER 3 YEARS. ADULT SUPERVISION IS REQUIRED.



DO NOT EXCEED WEIGHT CAPACITY

FAILURE TO DO SO MAY RESULT IN SERIOUS INJURY.

We're Here for You

Open **Monday - Friday 7:00am - 7:00pm** CST, our dedicated support team can offer immediate assistance with rapid response times. If any parts are received damaged or defective, please contact us. We are happy to replace parts to ensure you have a fully functioning product.



Give us a Call:
309-278-5303

AVG. RESOLUTION TIME (*within office hrs*): **5M 4S**



Chat Us:
www.vivo-us.com

AVG. RESOLUTION TIME (*within office hrs*): **< 15 M**

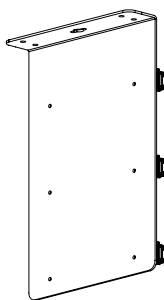


Email Us:
help@vivo-us.com

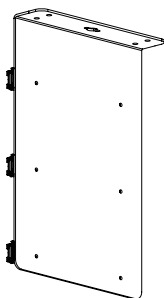
AVG. RESPONSE TIME (*within office hrs*): **1HR 8M**

- 23% within < 15m
- 38% within < 30m
- 61% within < 1hr
- 83% within < 2hr
- 92% within < 3hr

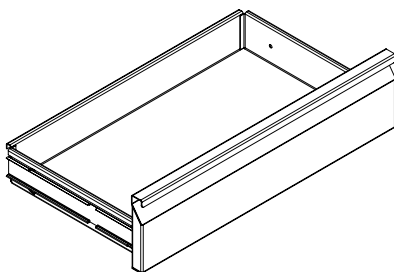
Package Contents



A (x1)
Left Panel



B (x1)
Right Panel



B (x3)
Drawer

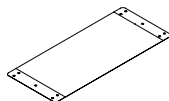
Included Hardware & Tools



S-A (x10)
ST5x16mm Screws



S-B (x10)
M5 Washer

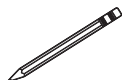


T-A (x1)
Template

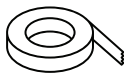
Tools Needed:



**Phillips
Screwdriver**



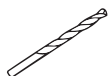
Pencil



Tape



**Power
Drill**



**9/64" (3.5mm)
Drill Bit**

Weight Capacity:



Per Drawer

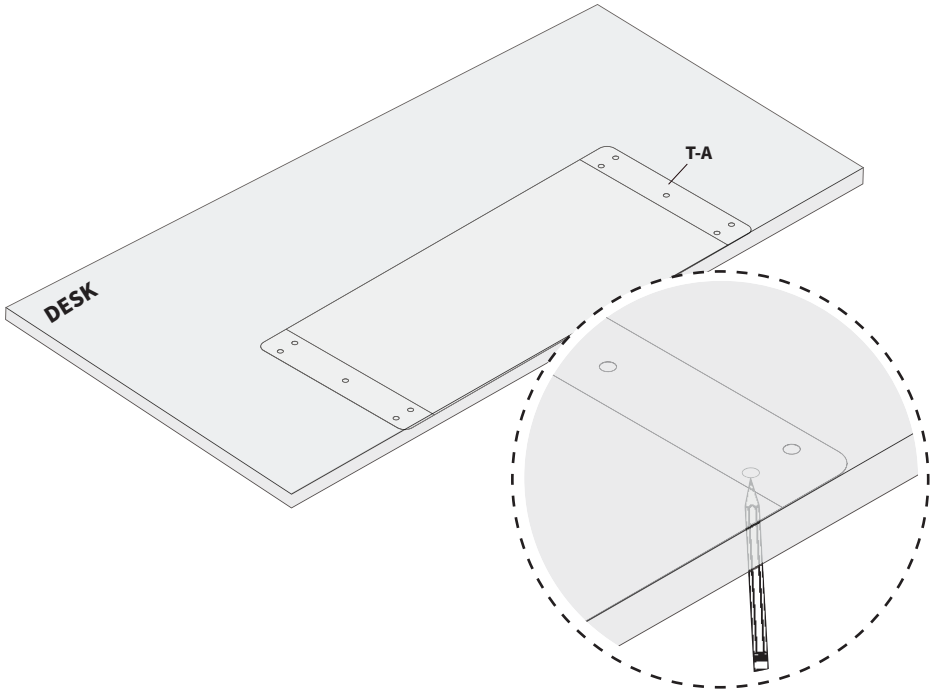


Total

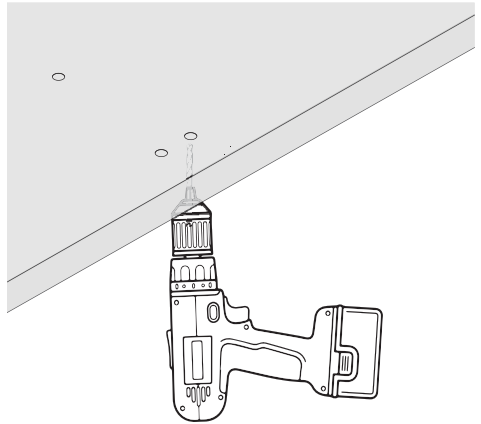
ASSEMBLY STEPS

STEP 1

Tape Template (**T-A**) against the front underside edge of your desktop. Use a pencil to mark holes, then remove template.

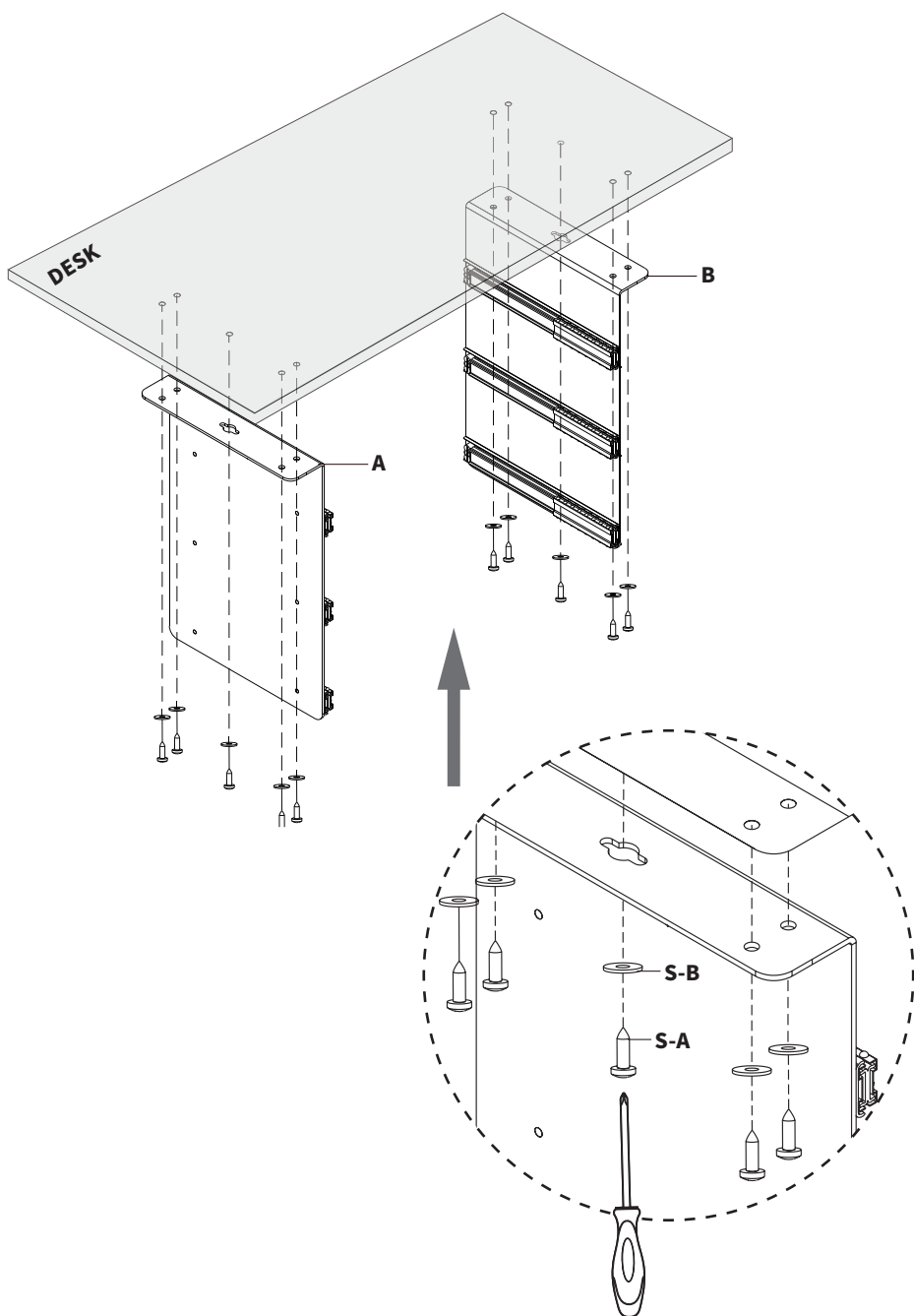


Using a drill and a 9/64" (3.5mm) drill bit, drill approximately 0.60" (15mm) deep pilot holes into marked locations.



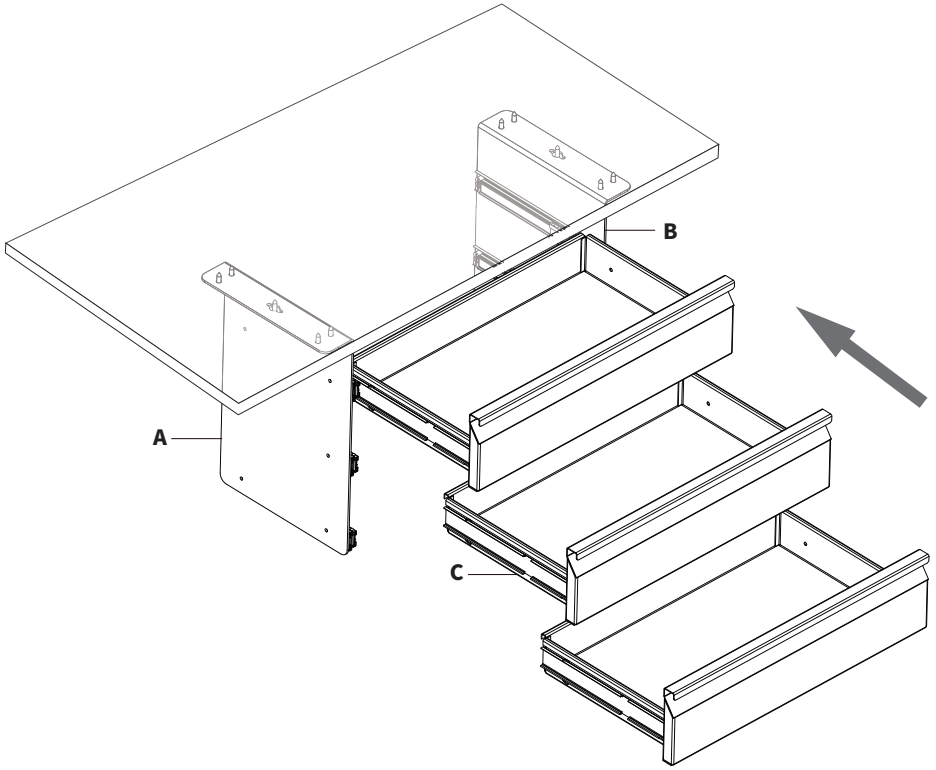
STEP 2

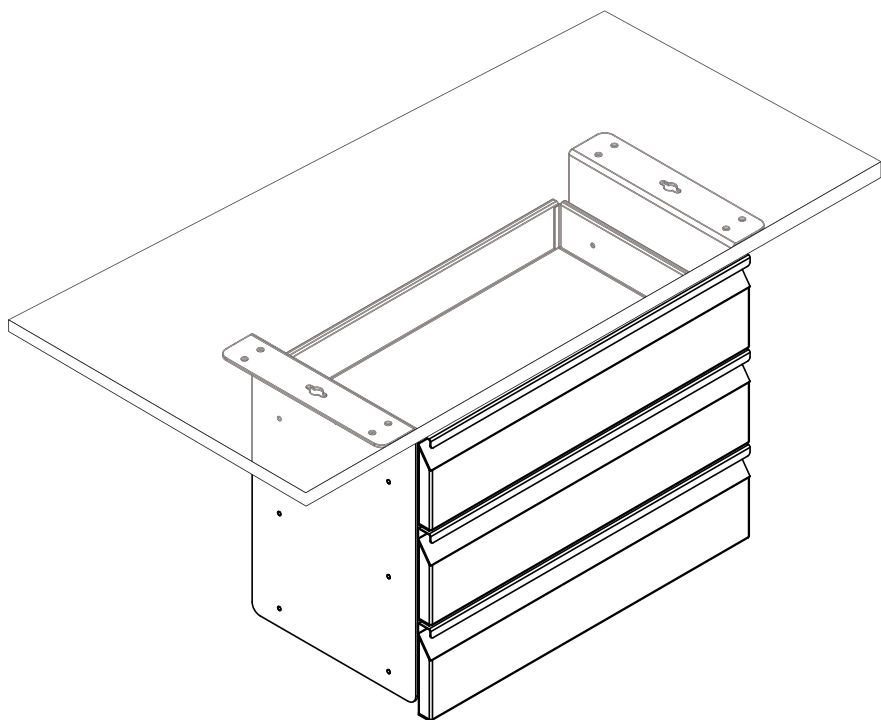
Secure Left and Right Mounting Brackets (**A,B**) to underside of desktop using ST5x16mm Screws (**S-A**), M5 Washers (**S-B**) and a Phillips screwdriver making sure the rails are facing each other and extends out the front of the desk.



STEP 3

Insert Drawers (C) into Left and Right Mounting Brackets (A,B).







Need Help? Get In Touch

Monday-Friday from 7:00am-7:00pm CST



help@vivo-us.com



www.vivo-us.com

Chat live with an agent!



309-278-5303



VIVO-us @vivo_us

FOR MORE GREAT VIVO PRODUCTS,
CHECK OUT OUR WEBSITE AT: WWW.VIVO-US.COM