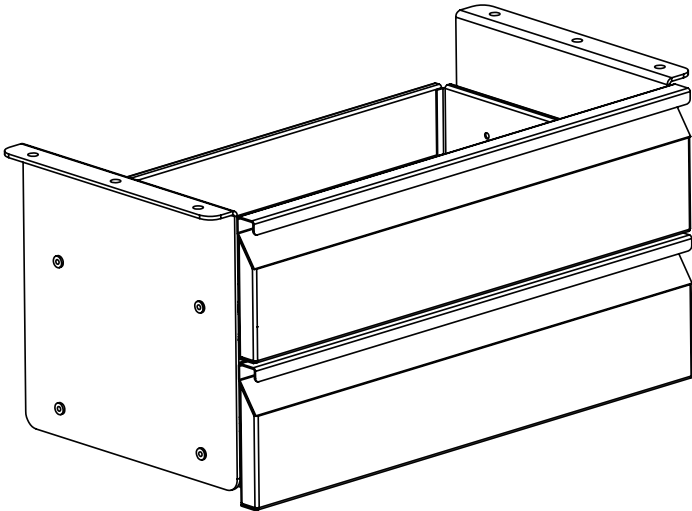




---

## Black Pull Out Dual Level Under Desk Drawer Instruction Manual



**SKU: DESK-DR02**



Scan the QR code with your mobile device or follow the link for helpful videos and specifications related to this product.

<https://vivo-us.com/products/desk-dr02>

---

GET IN TOUCH | Monday-Friday from 7:00am-7:00pm CST



help@vivo-us.com



www.vivo-us.com  
*Chat live with an agent!*



309-278-5303

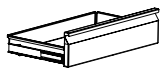
# ⚠ WARNING!

If you do not understand these directions, or if you have any doubts about the safety of the installation, please call a qualified technician. Check carefully to make sure there are no missing or defective parts. Improper installation may cause damage or serious injury. Do not use this product for any purpose that is not explicitly specified in this manual. Do not exceed weight capacity. We cannot be liable for damage or injury caused by improper mounting, incorrect assembly or inappropriate use.

## ⚠ WARNING: CHOKING HAZARD

SMALL PARTS - NOT FOR CHILDREN UNDER 3 YEARS. ADULT SUPERVISION IS REQUIRED.

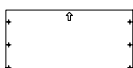
### PACKAGE CONTENTS



**A** (x2)  
Drawer



**B** (x2)  
Mounting  
Brackets



**C** (x1)  
Template



**M-A** (x6)  
M5x16mm  
Screw



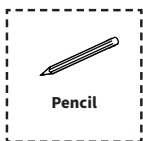
**M-B** (x6)  
M5 Washer

**NOTE:** SOME HARDWARE INCLUDED MAY NOT BE USED

### TOOLS NEEDED



**Phillips  
Screwdriver**



**Pencil**

**DO NOT EXCEED WEIGHT CAPACITY.**

Failure to do so may result in serious injury.

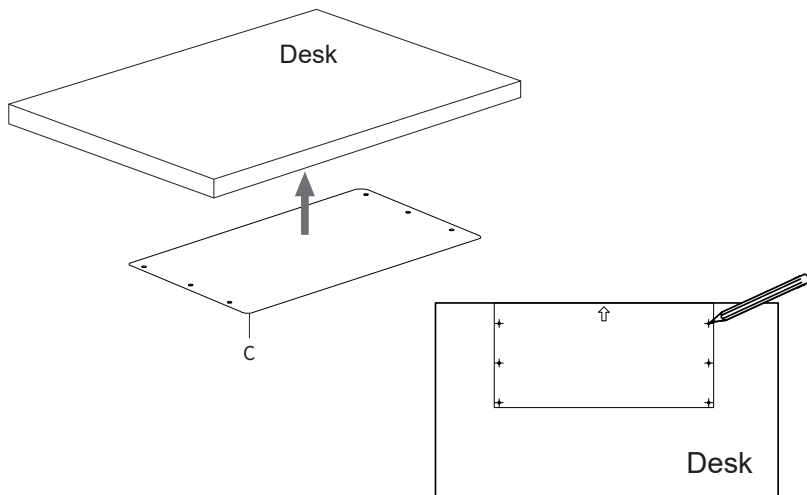


[ 11 lbs / 5kg per Drawer ]

### ASSEMBLY STEPS

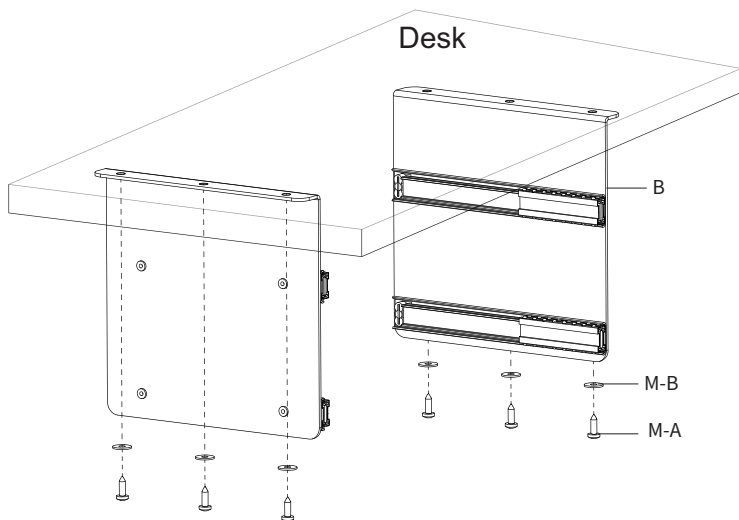
#### STEP 1

Align Template **(C)** on the underside of your desktop in the desired location with the arrow facing outward. Use pencil to mark drill locations.



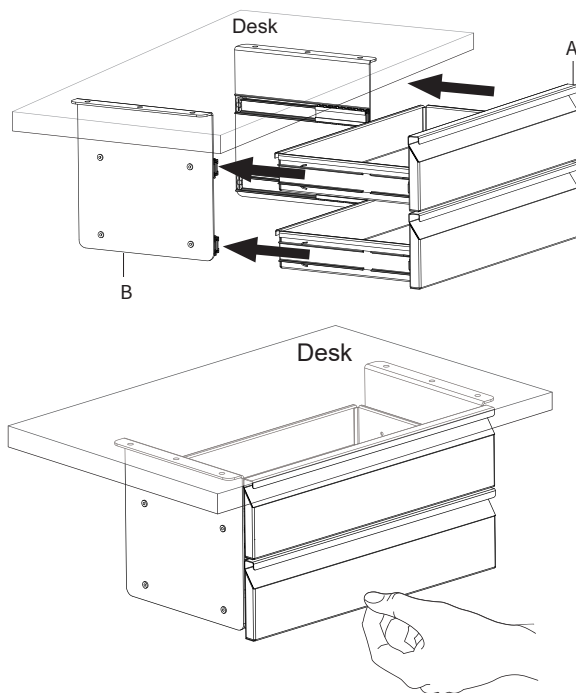
## STEP 2

Secure Mounting Brackets (**B**) to underside of desktop using M5x16mm Screws (**M-A**), M5 Washer (**M-B**), and a Phillips screwdriver.



## STEP 3

Insert Drawers (**A**) into Mounting Brackets (**B**).





Open **Monday - Friday 7:00am - 7:00pm** CST,  
our dedicated support team can offer immediate assistance with rapid response times. If any parts are received damaged or defective, please contact us. We are happy to replace parts to ensure you have a fully functioning product.



309-278-5303

**AVG. RESOLUTION TIME** (*within office hrs*): **5M 4S**



[www.vivo-us.com](http://www.vivo-us.com)  
*Chat live with an agent!*

**AVG. RESOLUTION TIME** (*within office hrs*): **< 15 M**



[help@vivo-us.com](mailto:help@vivo-us.com)

**AVG. RESPONSE TIME** (*within office hrs*): **1HR 8M**

- 23% within < 15m
- 38% within < 30m
- 61% within < 1hr
- 83% within < 2hr
- 92% within < 3hr