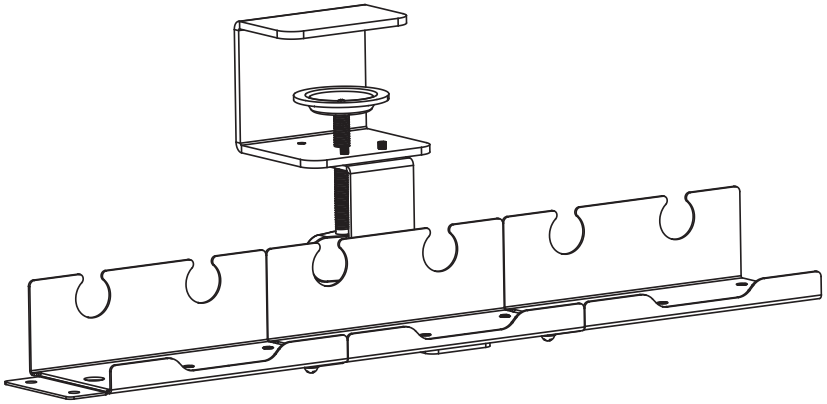




---

## Clamp-on Modular Cable Management Tray

### Instruction Manual



**SKU: DESK-CM3A-B**



Scan the QR code with your mobile device or follow the link for helpful videos and specifications related to this product.

<https://vivo-us.com/products/desk-cm3a-b>

---

**GET IN TOUCH** | Monday-Friday from 7:00am-7:00pm CST



help@vivo-us.com



www.vivo-us.com  
*Chat live with an agent!*



309-278-5303

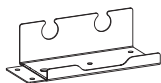
# **WARNING!**

If you do not understand these directions, or if you have any doubts about the safety of the installation, please call a qualified technician. Check carefully to make sure there are no missing or defective parts. Improper installation may cause damage or serious injury. Do not use this product for any purpose that is not explicitly specified in this manual. Do not exceed weight capacity. We cannot be liable for damage or injury caused by improper mounting, incorrect assembly or inappropriate use.

## **WARNING: CHOKING HAZARD**

SMALL PARTS - NOT FOR CHILDREN UNDER 3 YEARS. ADULT SUPERVISION IS REQUIRED.

### PACKAGE CONTENTS



**A** (x3)  
Tray



**B** (x1)  
Clamp Bracket



**C** (x1)  
Clamp



**S-A** (x5)  
M4 Washer



**S-B** (x5)  
M4x5mm Screw



**S-C** (x2)  
M4x10mm Screw

### TOOLS NEEDED



**NOTE: SOME HARDWARE INCLUDED MAY NOT BE USED**

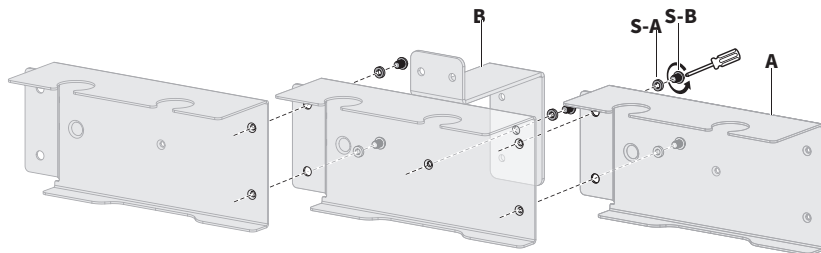
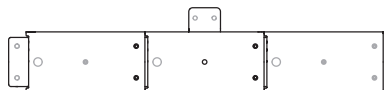
**DO NOT EXCEED WEIGHT CAPACITY.**  
Failure to do so may result in serious injury.



## ASSEMBLY STEPS

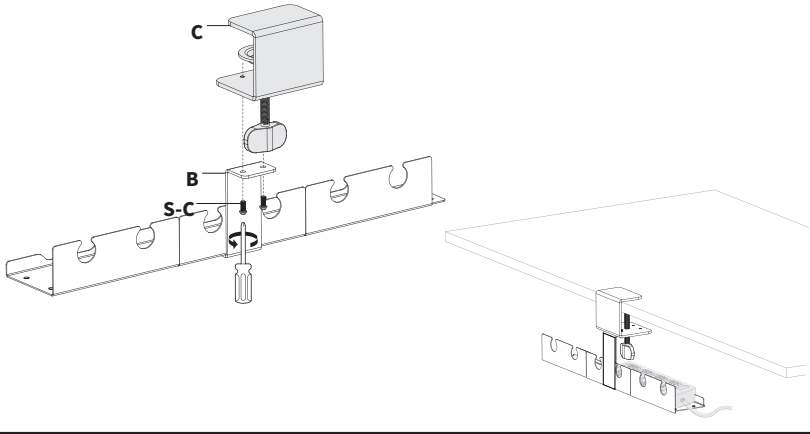
### STEP 1

Connect Trays (**A**) together as shown below using M4x5mm Screws (**S-B**), M4 Washers (**S-A**), and a Phillips screwdriver. Secure Clamp Bracket (**B**) to underside of the center Tray (**A**) using M4x5mm Screws (**S-B**), M4 Washers (**S-A**), and a Phillips screwdriver.



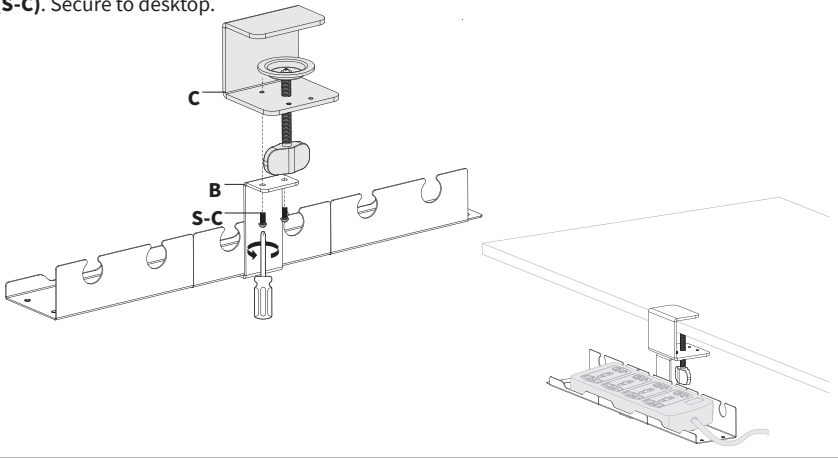
## STEP 2 - Under Desk Assembly

To assemble so that the tray sits under the desktop, install Clamp (B) so that it faces the same direction as the tray assembly. Connect using M4x10mm Screws (S-C). Secure to desktop.



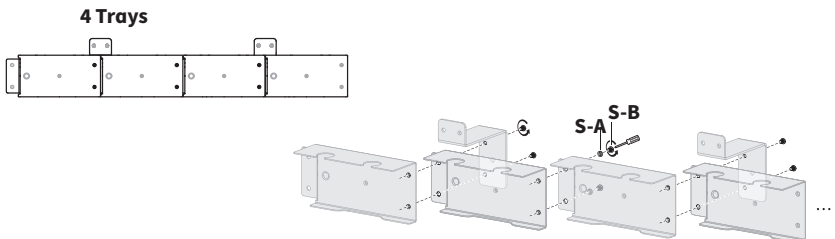
## STEP 2 - Reverse Facing

To assemble so that the tray sits outside the desktop edge, install Clamp (B) so that it faces the opposite direction as the tray assembly. Connect Clamp (B) to Clamp Bracket (C) using M4x10mm Screws (S-C). Secure to desktop.



## Adding Additional Tray Sets

If you purchased additional sets, connect together as shown below using M4x5mm Screws (S-B) and M4 Washers (S-A). Repeat steps 2-3 to finish installation.





Love your new VIVO setup and want to share?  
Tag us in your photo! **@vivo\_us**

LAST UPDATED: 04/18/2023  
REV1.1



Open **Monday - Friday 7:00am - 7:00pm** CST,  
our dedicated support team can offer immediate assistance with rapid response times. If any parts are received damaged or defective, please contact us. We are happy to replace parts to ensure you have a fully functioning product.



309-278-5303

**AVG. RESOLUTION TIME** (*within office hrs*): **5M 4S**



[www.vivo-us.com](http://www.vivo-us.com)  
*Chat live with an agent!*

**AVG. RESOLUTION TIME** (*within office hrs*): **< 15 M**



[help@vivo-us.com](mailto:help@vivo-us.com)

**AVG. RESPONSE TIME** (*within office hrs*): **1HR 8M**

- 23% within < 15m
- 38% within < 30m
- 61% within < 1hr
- 83% within < 2hr
- 92% within < 3hr

FOR MORE VIVO PRODUCTS, CHECK OUT OUR WEBSITE AT: [www.vivo-us.com](http://www.vivo-us.com)