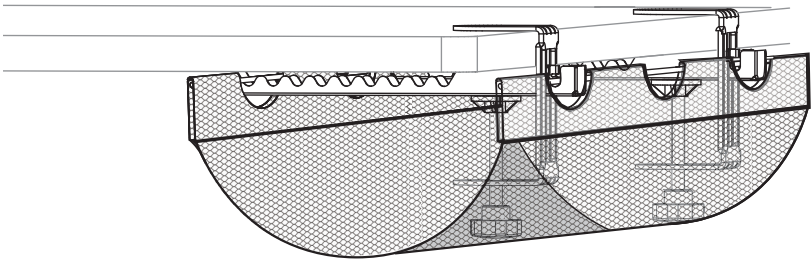




Clamp-on Under Desk Mesh Cable Management Instruction Manual



SKU: DESK-AC36MH



Scan the QR code with your mobile device or follow the link for helpful videos and specifications related to this product.

<https://vivo-us.com/products/desk-ac36mh>

GET IN TOUCH | Monday-Friday from 7:00am-7:00pm CST



help@vivo-us.com



www.vivo-us.com
Chat live with an agent!



309-278-5303

WARNING!

If you do not understand these directions, or if you have any doubts about the safety of the installation, please call a qualified technician. Check carefully to make sure there are no missing or defective parts. Improper installation may cause damage or serious injury. Do not use this product for any purpose that is not explicitly specified in this manual and do not exceed weight capacity. We cannot be liable for damage or injury caused by improper mounting, incorrect assembly, or inappropriate use.

WARNING: CHOKING HAZARD

SMALL PARTS - NOT FOR CHILDREN UNDER 3 YEARS. ADULT SUPERVISION IS REQUIRED.

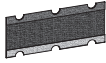
PACKAGE CONTENTS



A (x6)
Support Bar



B (x4)
Connector



C (x1)
Mesh Panel



D (x2)
Hook



E (x2)
Clamp



F (x5)
Velcro Cable Ties

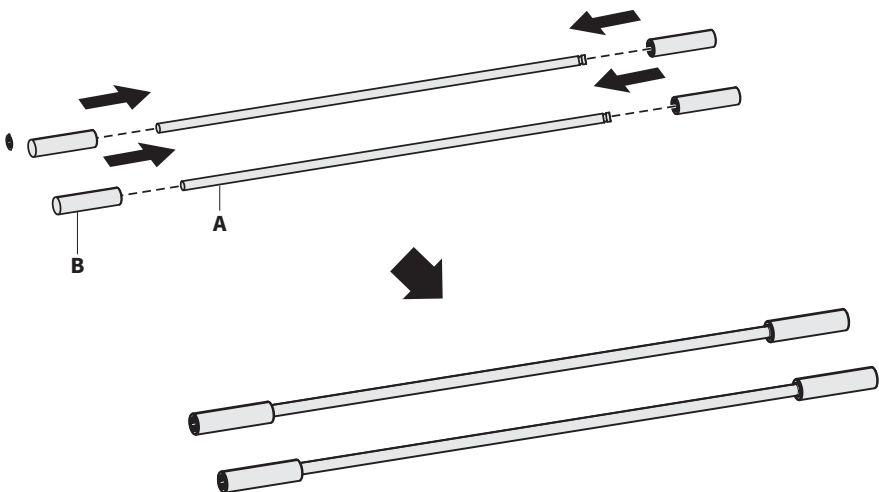
DO NOT EXCEED WEIGHT CAPACITY.
Failure to do so may result in serious injury.

11lbs
(5kg)

ASSEMBLY STEPS

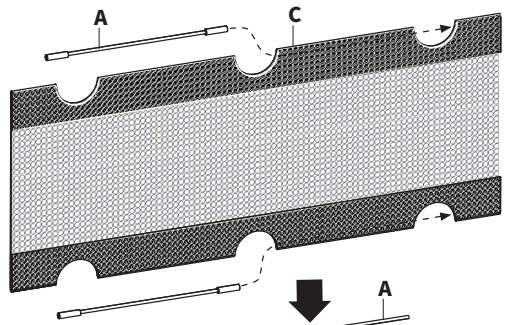
STEP 1

Attach Connectors (**B**) to the ends of two Support Bars (**A**).

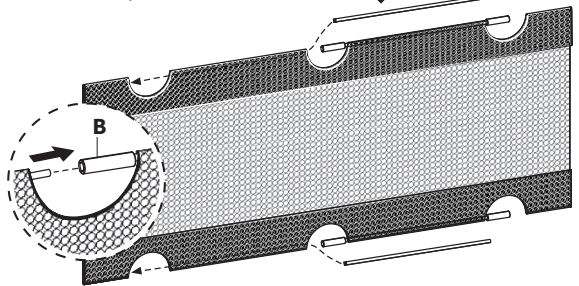


1

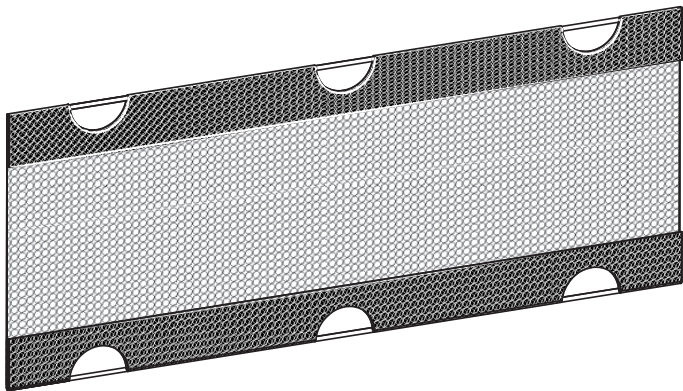
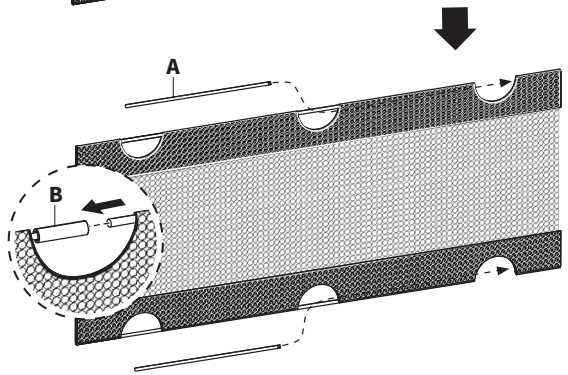
Feed assembled Support Bars **(A)** through middle holes of Mesh Panel **(C)**, then slide them to the right.

**2**

Insert Support Bars **(A)** into the middle holes of Mesh Panel **(C)**, then slide them to the left and attach to existing left side Connectors **(B)**.

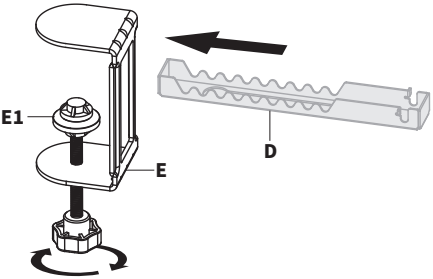
**3**

Feed Support Bars **(A)** into middle hole from left side and push all the way to the right; connect to existing right side Connectors **(B)** of installed Support Bar **(A)**.

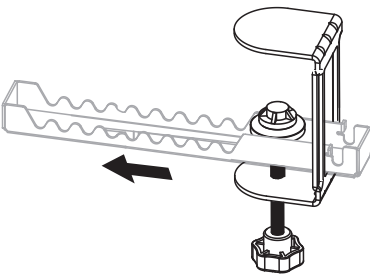
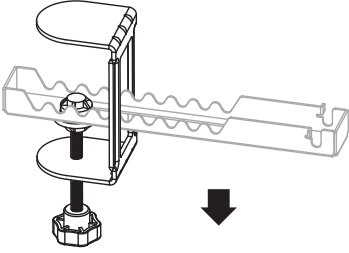
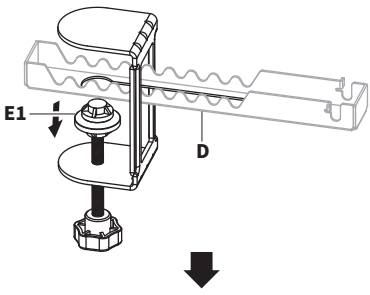


STEP 3

Loosen Clamp **(E)** hand crank to lower Plastic Screwhead **(E1)**. Slide Hook **(D)** through back of Clamp **(E)**, with teeth facing up and keyhole in front.

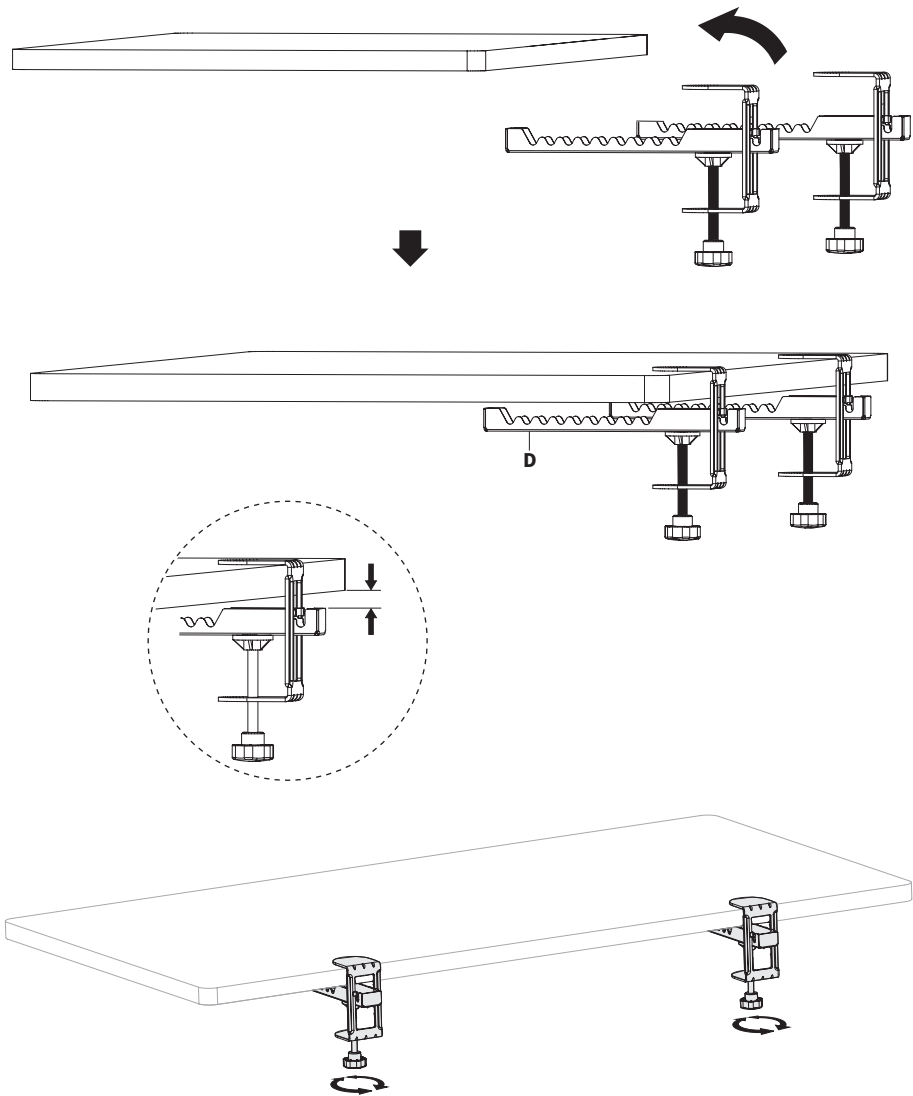


Align Hook **(D)** keyhole over Plastic Screwhead **(E1)** and slide all the way back so that the Hook is secure in place.



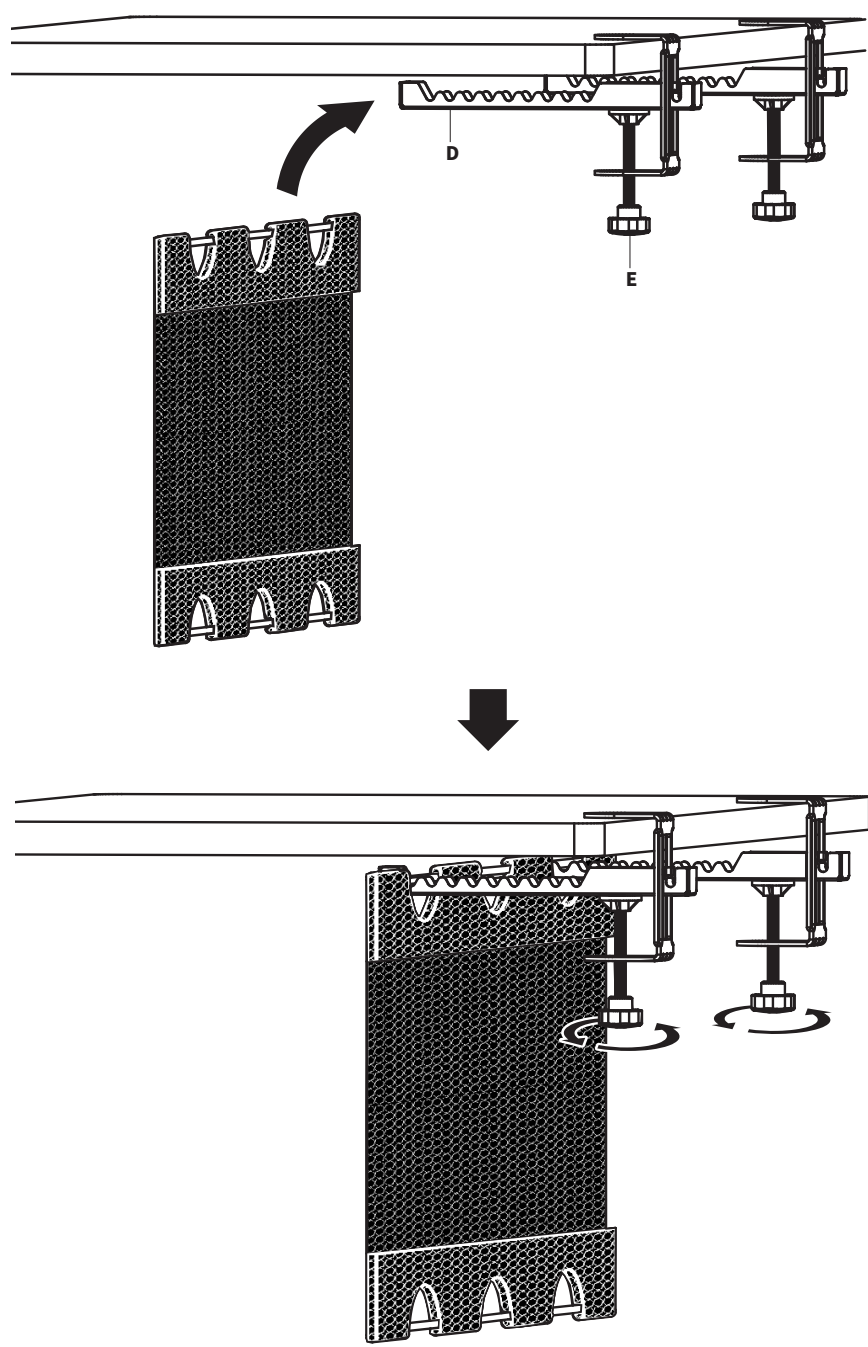
STEP 4

Place Clamps (E) onto desktop and begin to tighten. Leave a small gap of space between Hooks (D) and the desktop to ensure the mesh assembly can be properly secured.



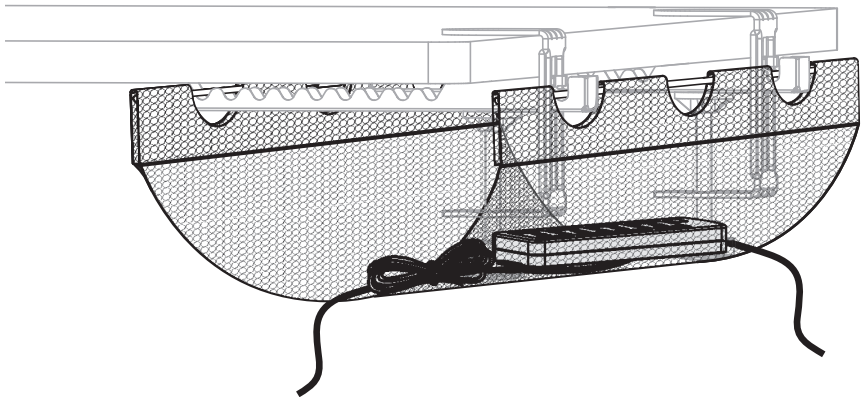
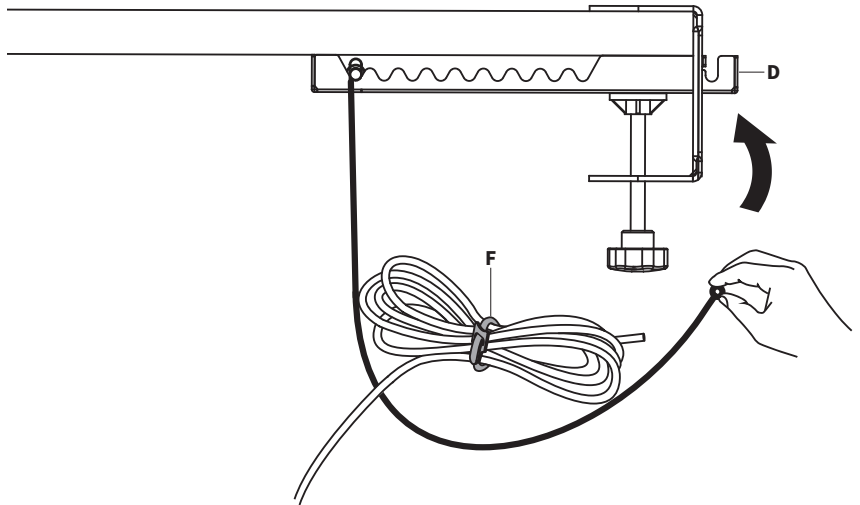
STEP 5

Place mesh assembly onto front teeth of Hooks (D) and tighten Clamps (E) to secure.



STEP 6

Pull lower portion of mesh assembly back and secure into back slots of Hooks (**D**). Use Velcro Cable Ties (**F**) to secure cable bundles and place onto mesh assembly.





Open **Monday - Friday 7:00am - 7:00pm** CST,
our dedicated support team can offer immediate assistance with rapid response times. If any parts are received damaged or defective, please contact us. We are happy to replace parts to ensure you have a fully functioning product.



309-278-5303

AVG. RESOLUTION TIME (*within office hrs*): **5M 4S**



www.vivo-us.com
Chat live with an agent!

AVG. RESOLUTION TIME (*within office hrs*): **< 15 M**



help@vivo-us.com

AVG. RESPONSE TIME (*within office hrs*): **1HR 8M**

- 23% within < 15m
- 38% within < 30m
- 61% within < 1hr
- 83% within < 2hr
- 92% within < 3hr