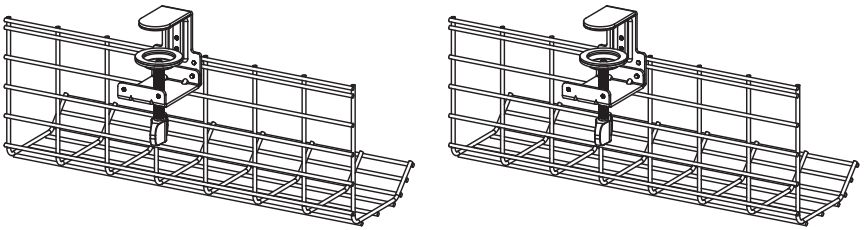




---

## Clamp-on Cable Management Racks for Desk - 2 Pack

### Instruction Manual



**SKU: DESK-AC06-2P**



Scan the QR code with your mobile device or follow the link for helpful videos and specifications related to this product.

**<https://vivo-us.com/products/desk-ac06-2p>**

---

**GET IN TOUCH** | Monday-Friday from 7:00am-7:00pm CST



help@vivo-us.com



www.vivo-us.com  
*Chat live with an agent!*



309-278-5303

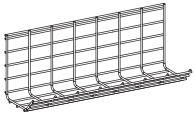
# **WARNING!**

If you do not understand these directions, or if you have any doubts about the safety of the installation, please call a qualified technician. Check carefully to make sure there are no missing or defective parts. Improper installation may cause damage or serious injury. Do not use this product for any purpose that is not explicitly specified in this manual and do not exceed weight capacity. We cannot be liable for damage or injury caused by improper mounting, incorrect assembly, or inappropriate use.

## **WARNING: CHOKING HAZARD**

SMALL PARTS - NOT FOR CHILDREN UNDER 3 YEARS. ADULT SUPERVISION IS REQUIRED.

## PACKAGE CONTENTS



**A (x2)**  
Cable Rack



**B (x2)**  
Clamp



**S-A (x4)**  
M4x10 Screw



**S-B (x4)**  
Metal Washer



**S-C (x4)**  
Plastic Washer

## TOOLS NEEDED



Phillips  
Screwdriver

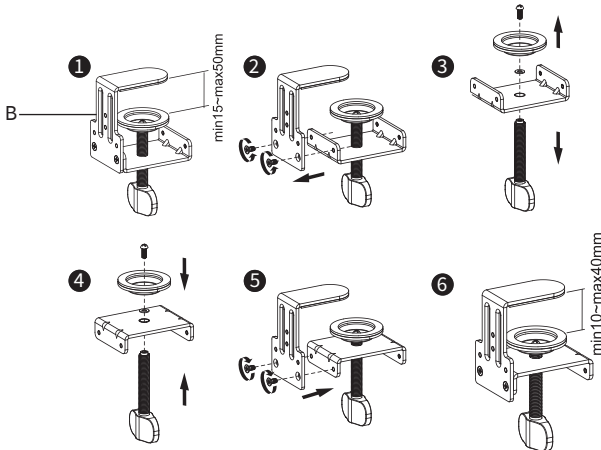
**DO NOT EXCEED WEIGHT CAPACITY.**  
Failure to do so may result in serious injury.



## ASSEMBLY STEPS

### STEP 1

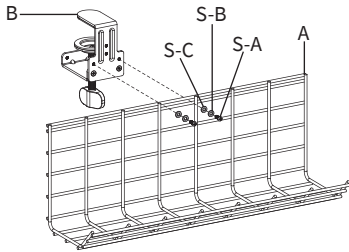
**For thinner desktops (<1.5" (40mm)),** disassemble Clamps (**B**) as shown below, flip the bottom bracket, and reassemble using a Phillips screwdriver.



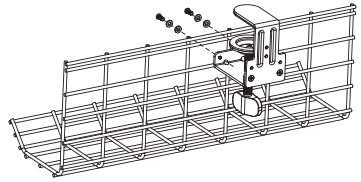
## STEP 2

Assemble Cable Racks (**A**) to Clamps (**B**) in either under desk or behind desk orientations using M4x10 Screws (**S-A**), Metal Washers (**S-B**), and Plastic Washers (**S-C**) with a Phillips screwdriver.

### Behind Desk

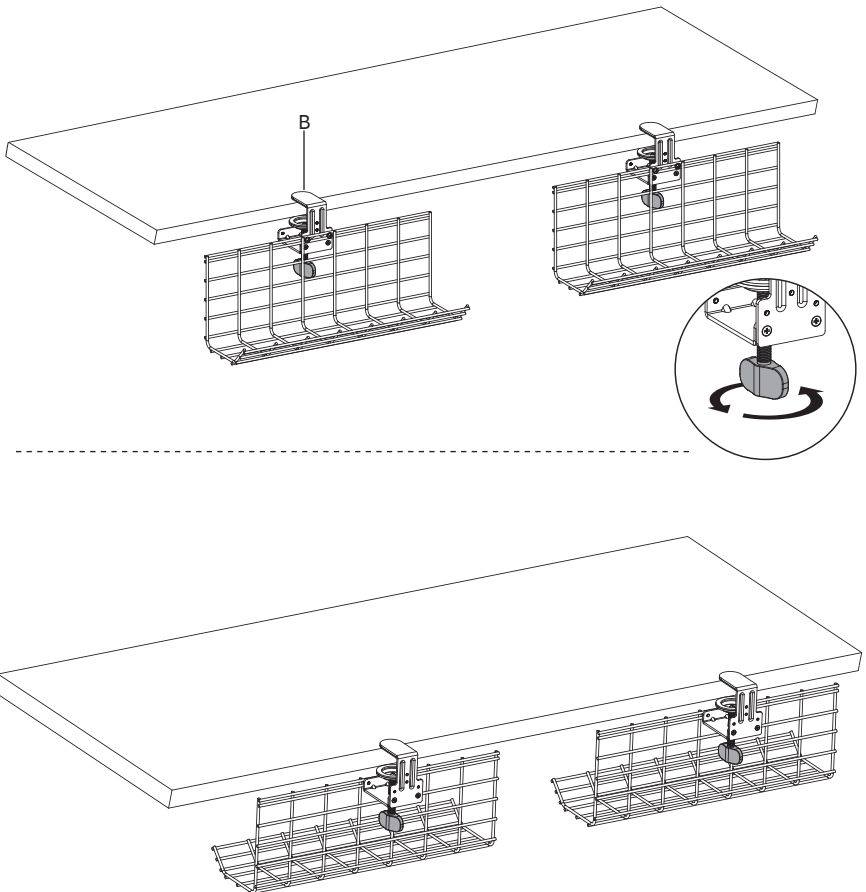


### Under Desk



## STEP 3

Secure the assembly to the desktop by tightening Clamps (**B**).





Open **Monday - Friday 7:00am - 7:00pm** CST,  
our dedicated support team can offer immediate assistance with rapid response times. If any parts are received damaged or defective, please contact us. We are happy to replace parts to ensure you have a fully functioning product.



309-278-5303

**AVG. RESOLUTION TIME** (*within office hrs*): **5M 4S**



[www.vivo-us.com](http://www.vivo-us.com)  
*Chat live with an agent!*

**AVG. RESOLUTION TIME** (*within office hrs*): **< 15 M**



[help@vivo-us.com](mailto:help@vivo-us.com)

**AVG. RESPONSE TIME** (*within office hrs*): **1HR 8M**

- 23% within < 15m
- 38% within < 30m
- 61% within < 1hr
- 83% within < 2hr
- 92% within < 3hr