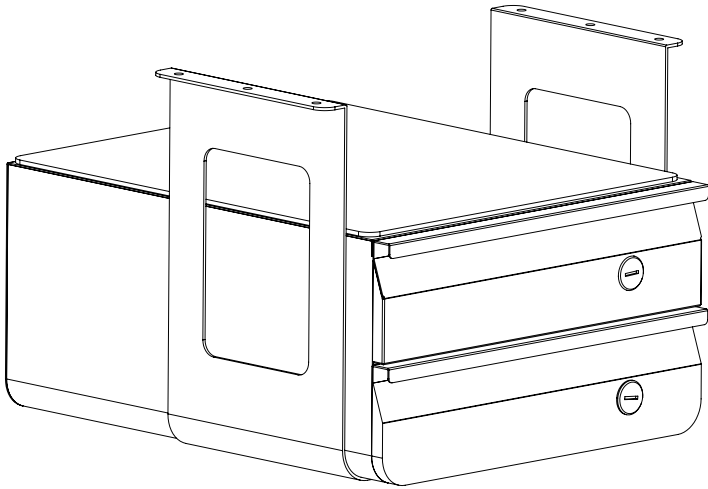




Black Lockable Under Desk Drawer

Instruction Manual



SKU: DESK-AC03L-2B



Scan the QR code with your mobile device or follow the link for helpful videos and specifications related to this product.

<https://vivo-us.com/products/desk-ac03l-2b>

GET IN TOUCH | Monday-Friday from 7:00am-7:00pm CST



help@vivo-us.com



www.vivo-us.com
Chat live with an agent!



309-278-5303

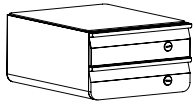
WARNING!

If you do not understand these directions, or if you have any doubts about the safety of the installation, please contact our product support team at 309-278-5303 or help@vivo-us.com for further assistance. Check carefully to make sure there are no missing or defective parts. Improper installation may cause damage or serious injury. Do not use this product for any purpose that is not explicitly specified in this manual. Do not exceed weight capacity. We cannot be liable for damage or injury caused by improper mounting, incorrect assembly or inappropriate use.

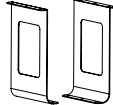
WARNING: CHOKING HAZARD

SMALL PARTS - NOT FOR CHILDREN UNDER 3 YEARS. ADULT SUPERVISION IS REQUIRED.

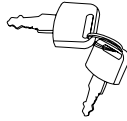
PACKAGE CONTENTS



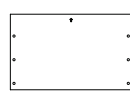
A (x1)
Drawer



B (x1)
Mounting
Brackets



C (x2)
Keys



D (x1)
Mounting
Template



S-A (x6)
M6x10mm
Screws



M-A (x6)
ST5x16mm
Screws



M-B (x6)
Washer

11lbs
(5kg)

DO NOT EXCEED WEIGHT CAPACITY.

Failure to do so may result in serious injury.

TOOLS NEEDED



Tape Measure



Drill



Pencil

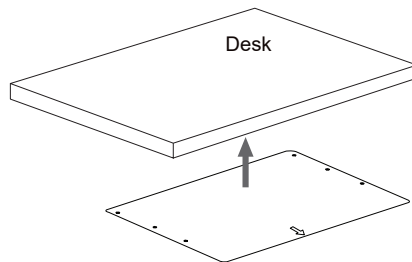
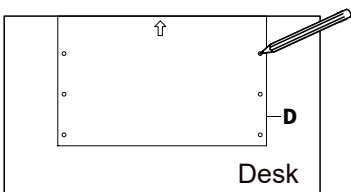


Phillips
Screwdriver

ASSEMBLY STEPS

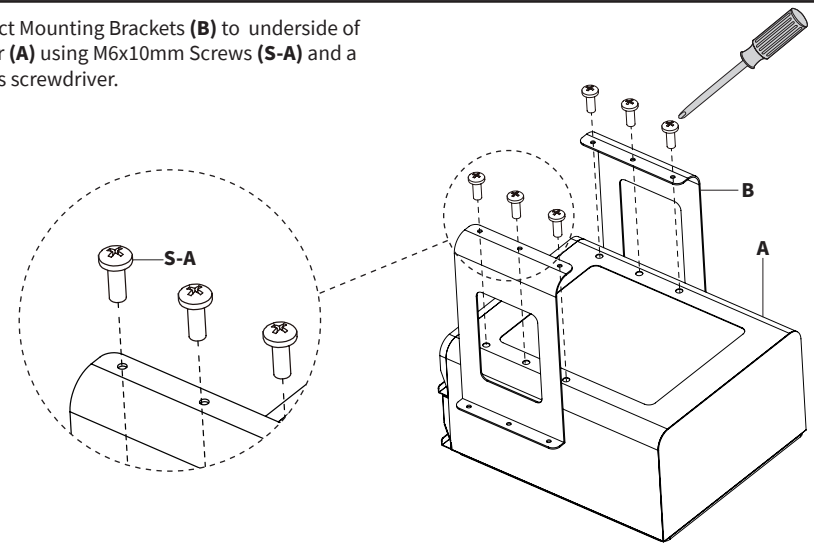
STEP 1

Use Mounting Template (D) and a pencil to mark the mounting location.



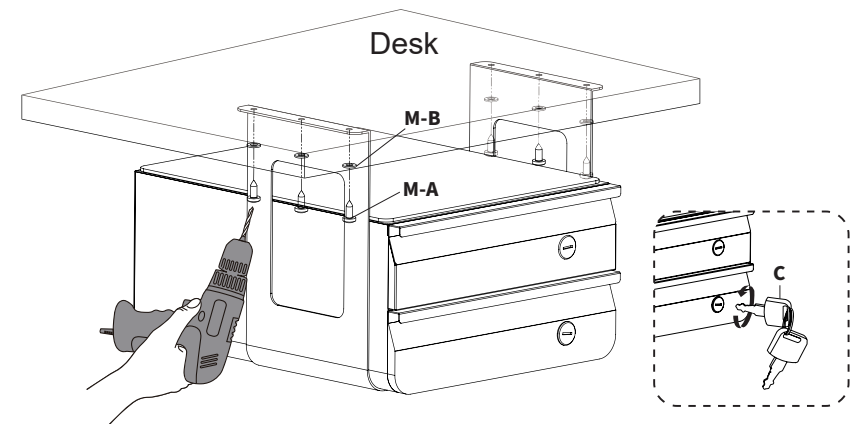
STEP 2

Connect Mounting Brackets (B) to underside of Drawer (A) using M6x10mm Screws (S-A) and a Phillips screwdriver.

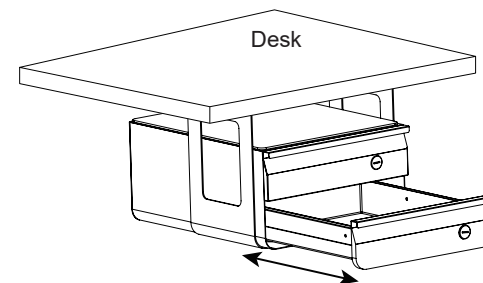


STEP 3

Hold the assembled drawer against the bottom of your desktop and mark drilling locations with a pencil or pen. Drill $\frac{3}{8}$ " (10mm) deep holes using a $\frac{1}{8}$ " (3mm) drill bit. Mount the drawer assembly to the desktop using ST5x16mm Screws (M-A), Washers (M-B), and a Phillips screwdriver.



NOTE: Locking the drawers using Keys (C) prior to mounting may ease the installation process.



Drawer is now ready for use!



Open **Monday - Friday 7:00am - 7:00pm** CST,
our dedicated support team can offer immediate assistance with rapid response times. If any parts are received damaged or defective, please contact us. We are happy to replace parts to ensure you have a fully functioning product.



309-278-5303

AVG. RESOLUTION TIME (*within office hrs*): **5M 4S**



www.vivo-us.com
Chat live with an agent!

AVG. RESOLUTION TIME (*within office hrs*): **< 15 M**



help@vivo-us.com

AVG. RESPONSE TIME (*within office hrs*): **1HR 8M**

- 23% within < 15m
- 38% within < 30m
- 61% within < 1hr
- 83% within < 2hr
- 92% within < 3hr