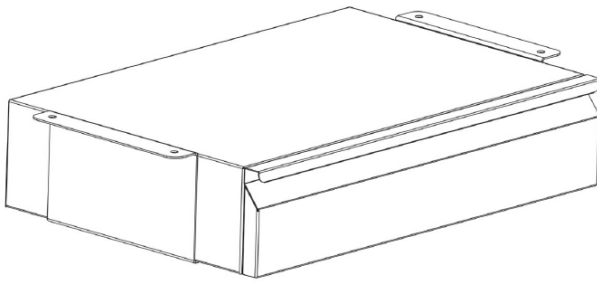




---

## Black Pull Out Under Desk Drawer Instruction Manual



**SKU: DESK-AC03B**



Scan the QR code with your mobile device or follow the link for helpful videos and specifications related to this product.

<https://vivo-us.com/products/desk-ac03b>

---

**GET IN TOUCH** | Monday-Friday from 7:00am-7:00pm CST



help@vivo-us.com



www.vivo-us.com  
*Chat live with an agent!*



309-278-5303

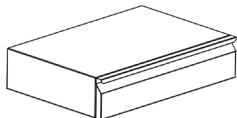
## **WARNING!**

If you do not understand these directions, or if you have any doubts about the safety of the installation, please call a qualified technician. Check carefully to make sure there are no missing or defective parts. Improper installation may cause damage or serious injury. Do not use this product for any purpose that is not explicitly specified in this manual and do not exceed weight capacity. We cannot be liable for damage or injury caused by improper mounting, incorrect assembly, or inappropriate use.

## **WARNING: CHOKING HAZARD**

SMALL PARTS - NOT FOR CHILDREN UNDER 3 YEARS. ADULT SUPERVISION IS REQUIRED.

## PACKAGE CONTENTS



**A** (x1)  
Drawer



**B** (x2)  
Brackets



**C** (x4)  
M6x12 Screw



**D** (x4)  
M5x16 Screw

## TOOLS NEEDED



Phillips  
Screwdriver



Drill

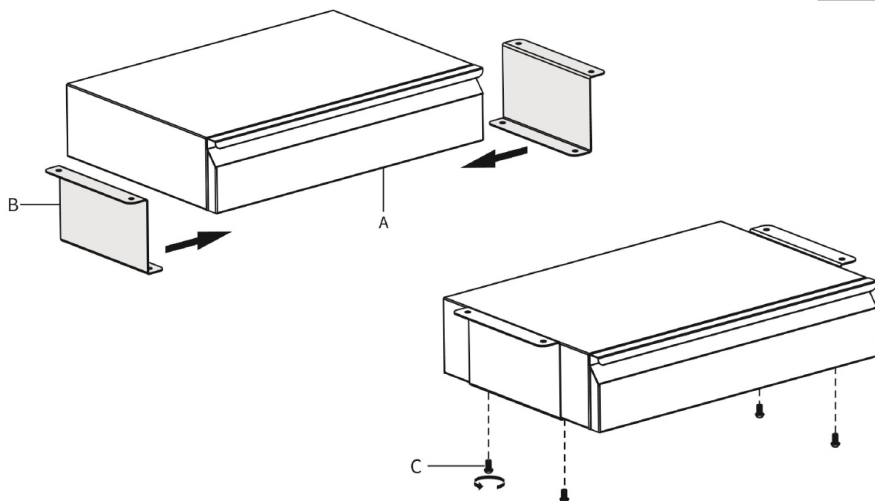
**DO NOT EXCEED WEIGHT CAPACITY.**  
Failure to do so may result in serious injury.



## ASSEMBLY STEPS

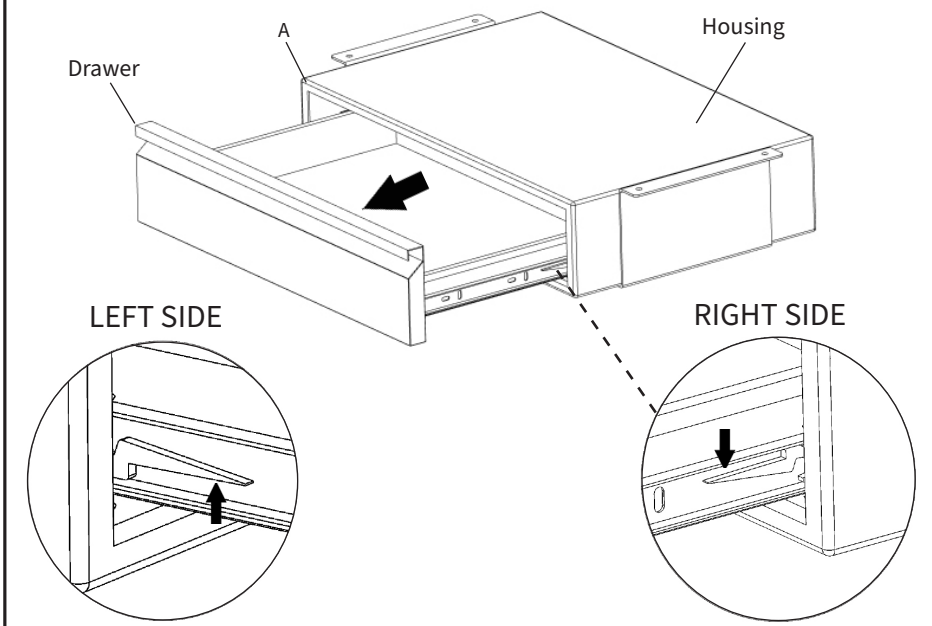
### STEP 1

Assemble Brackets (**B**) to Drawer (**A**) using M6x12 Screws (**C**). Tighten with a Phillips screwdriver.



## STEP 2

Slide Drawer **(A)** open and locate the black levers located on either side in the track. Lift up on the left lever, and press down on the right lever to remove the drawer from the housing.

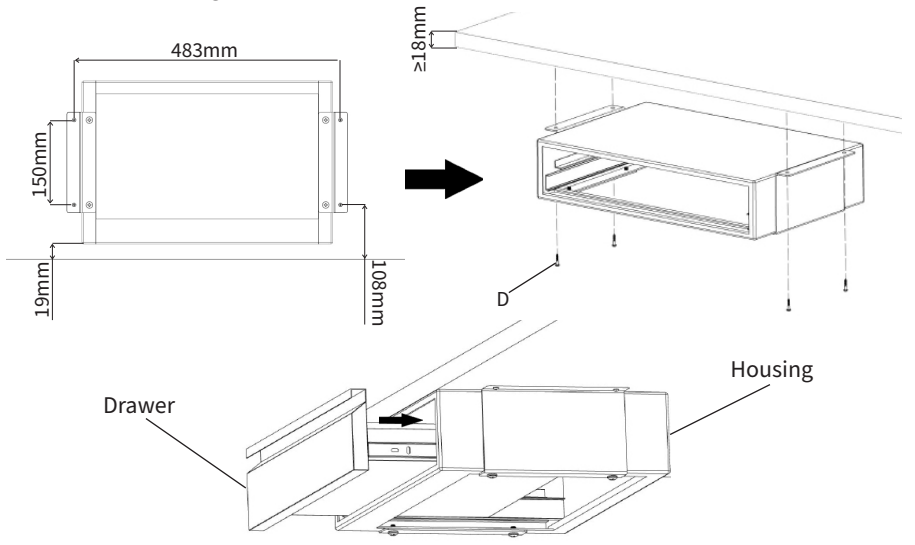


## STEP 3

Determine mounting location for Drawer **(A)**. We recommend positioning the housing 19mm (3/4") back from the edge of the mounting surface. The desk should be at least 18mm (11/16") thick.



Using the housing from Drawer **(A)** as a guide, mark drilling locations with a pencil, and drill pilot holes using a 3/32" drill bit. Mount the drawer housing to surface using M5x16 Screws **(D)** and a phillips screwdriver. Insert the drawer back into the housing.





Open **Monday - Friday 7:00am - 7:00pm** CST,  
our dedicated support team can offer immediate assistance with rapid response times. If any parts are received damaged or defective, please contact us. We are happy to replace parts to ensure you have a fully functioning product.



309-278-5303

**AVG. RESOLUTION TIME** (*within office hrs*): **5M 4S**



[www.vivo-us.com](http://www.vivo-us.com)  
*Chat live with an agent!*

**AVG. RESOLUTION TIME** (*within office hrs*): **< 15 M**



[help@vivo-us.com](mailto:help@vivo-us.com)

**AVG. RESPONSE TIME** (*within office hrs*): **1HR 8M**

- 23% within < 15m
- 38% within < 30m
- 61% within < 1hr
- 83% within < 2hr
- 92% within < 3hr