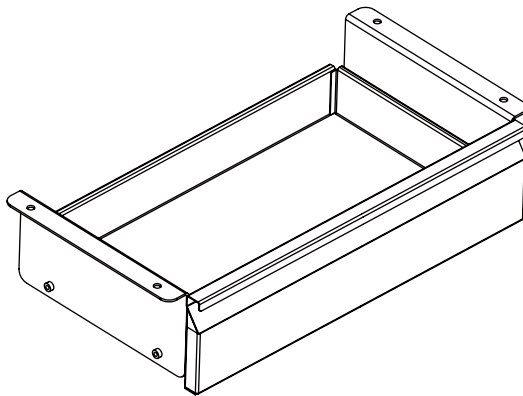




---

## Black Pull Out Under Desk Drawer without Shell Instruction Manual



**SKU: DESK-AC03A-B**



Scan the QR code with your mobile device or follow the link for helpful videos and specifications related to this product.

<https://vivo-us.com/products/desk-ac03a-b>

---

GET IN TOUCH | Monday-Friday from 7:00am-7:00pm CST



help@vivo-us.com



www.vivo-us.com  
*Chat live with an agent!*



309-278-5303

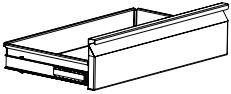
## **WARNING!**

If you do not understand these directions, or if you have any doubts about the safety of the installation, please call a qualified technician. Check carefully to make sure there are no missing or defective parts. Improper installation may cause damage or serious injury. Do not use this product for any purpose that is not explicitly specified in this manual and do not exceed weight capacity. We cannot be liable for damage or injury caused by improper mounting, incorrect assembly, or inappropriate use.

## **WARNING: CHOKING HAZARD**

SMALL PARTS - NOT FOR CHILDREN UNDER 3 YEARS. ADULT SUPERVISION IS REQUIRED.

### PACKAGE CONTENTS



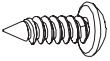
**A** (x1)  
Drawer



**B** (x1)  
Left Bracket



**C** (x1)  
Right Bracket



**S-A** (x4)  
M5x16 Screw



**S-B** (x4)  
Washer

### TOOLS NEEDED



Phillips  
Screwdriver



Drill

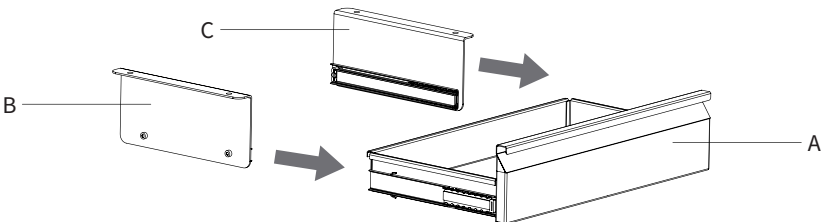
**DO NOT EXCEED WEIGHT CAPACITY.**  
Failure to do so may result in serious injury.



### ASSEMBLY STEPS

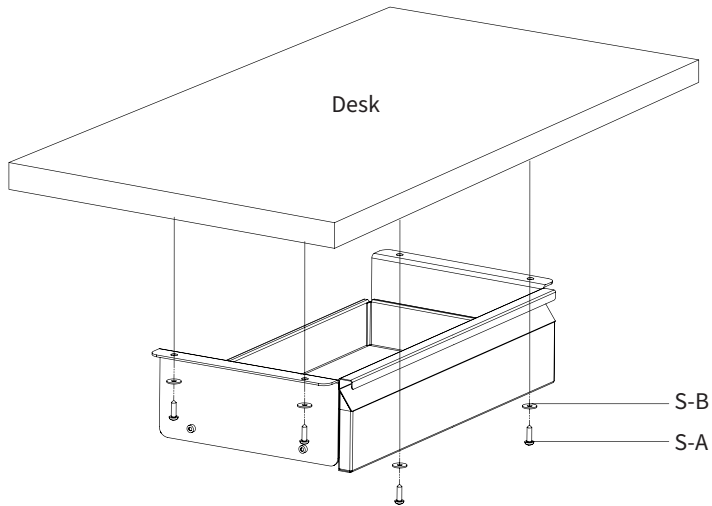
#### STEP 1

Slide Brackets (**B**, **C**) over rails on Drawer (**A**) to secure it in place.



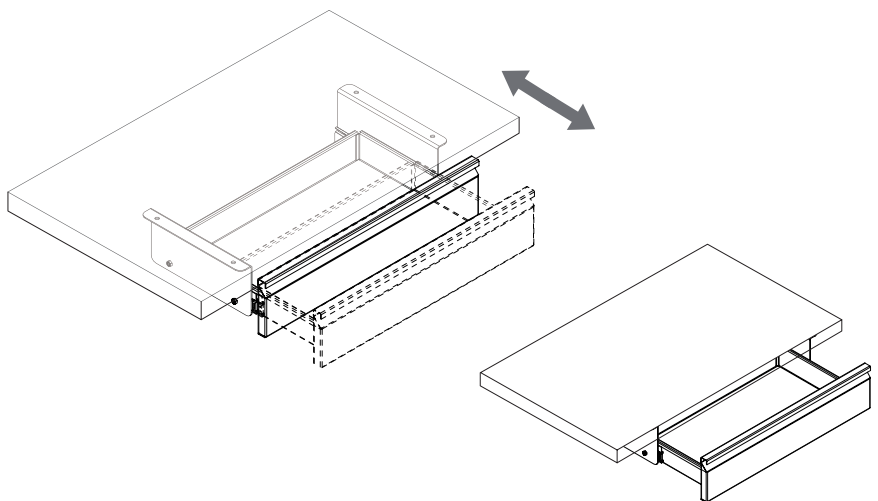
## STEP 2

Using the drawer assembly as a guide, mark drilling locations with a pencil, and drill pilot holes using a 3/32" drill bit. Mount drawer assembly to underside of desk using M5x16 Screws (**S-A**) and Washers (**S-B**) and a phillips screwdriver.



## STEP 3

The Drawer is now ready for use.





Open **Monday - Friday 7:00am - 7:00pm** CST,  
our dedicated support team can offer immediate assistance with rapid response times. If any parts are received damaged or defective, please contact us. We are happy to replace parts to ensure you have a fully functioning product.



309-278-5303

**AVG. RESOLUTION TIME** (*within office hrs*): **5M 4S**



[www.vivo-us.com](http://www.vivo-us.com)  
*Chat live with an agent!*

**AVG. RESOLUTION TIME** (*within office hrs*): **< 15 M**



[help@vivo-us.com](mailto:help@vivo-us.com)

**AVG. RESPONSE TIME** (*within office hrs*): **1HR 8M**

- 23% within < 15m
- 38% within < 30m
- 61% within < 1hr
- 83% within < 2hr
- 92% within < 3hr