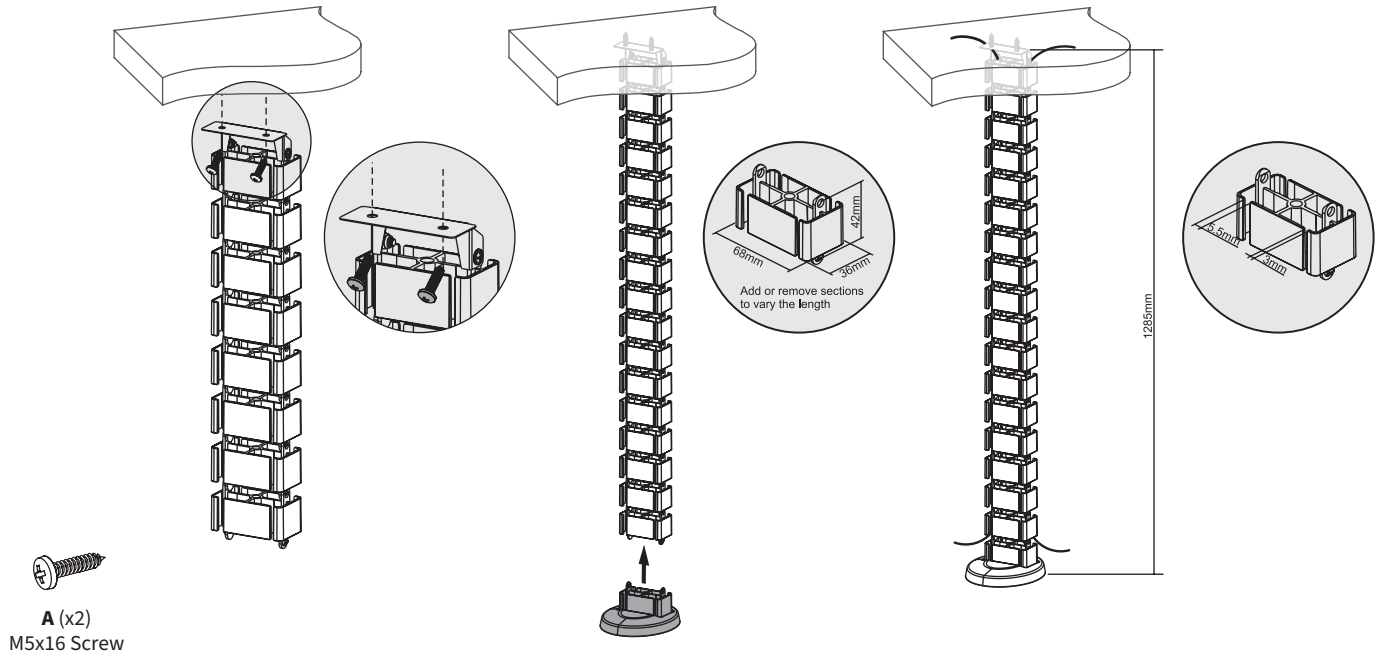




Vertebrae Cable Management Kit for Desk



Place the top bracket against the desired location under the desktop and mark drilling locations. Drill 1/4" (6.3mm) deep holes using a 1/8" (3mm) drill bit, then secure the top bracket to the desk using the included screws (A) and a Phillips screwdriver. Assemble the vertebrae sections to the desired length, then insert cables into the corner openings of the vertebrae sections.

SKU: DESK-AC01C

Love your new VIVO setup and want to share?
Tag us in your photo! @vivo_us



Scan the QR code with your mobile device
or follow the link for helpful videos and
specifications related to this product.

<https://vivo-us.com/products/desk-ac01c>



WARNING!

If you do not understand these directions, or if you have any doubts about the safety of the installation, please call a qualified technician. Check carefully to make sure there are no missing or defective parts. Improper installation may cause damage or serious injury. Do not use this product for any purpose that is not explicitly specified in this manual and do not exceed weight capacity. We cannot be liable for damage or injury caused by improper mounting, incorrect assembly, or inappropriate use.

Open **Monday - Friday 7:00am - 7:00pm CST**,

our dedicated support team can offer immediate assistance with rapid response times. If any parts are received damaged or defective, please contact us.

We are happy to replace parts to ensure you have a fully functioning product.



help@vivo-us.com

AVG. RESPONSE TIME (within office hrs): **1HR 8M**



www.vivo-us.com
Chat live with an agent!

AVG. RESOLUTION TIME (within office hrs): **< 15 M**



309-278-5303

AVG. RESOLUTION TIME (within office hrs): **5M 4S**