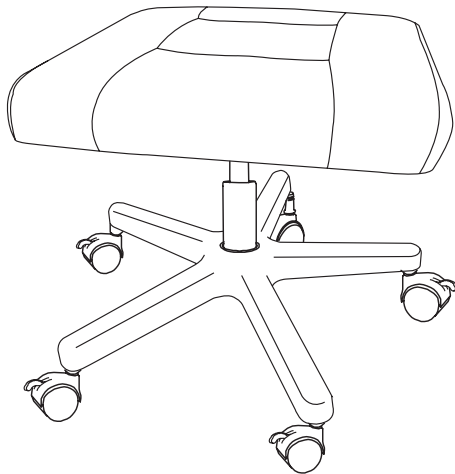




Black 2-in-1 Footrest & Ergonomic Desk Stool Instruction Manual



SKU: CHAIR-S04F



Scan the QR code with your mobile device or follow the link for helpful videos and specifications related to this product.

<https://vivo-us.com/products/chair-s04f>

GET IN TOUCH | Monday-Friday from 7:00am-7:00pm CST



help@vivo-us.com



www.vivo-us.com
Chat live with an agent!



309-278-5303

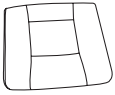
WARNING!

If you do not understand these directions, or if you have any doubts about the safety of the installation, please call a qualified technician. Check carefully to make sure there are no missing or defective parts. Improper installation may cause damage or serious injury. Do not use this product for any purpose that is not explicitly specified in this manual and do not exceed weight capacity. We cannot be liable for damage or injury caused by improper mounting, incorrect assembly, or inappropriate use.

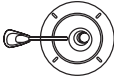
WARNING: CHOKING HAZARD

SMALL PARTS - NOT FOR CHILDREN UNDER 3 YEARS. ADULT SUPERVISION IS REQUIRED.

PACKAGE CONTENTS



A (x1)
Seat



B (x1)
Support Bracket



C (x1)
Gas Spring



D (x1)
Base



E (x5)
Caster



S-A (x4)
M6x18mm
Screw



T-A (x1)
6mm Allen
Wrench

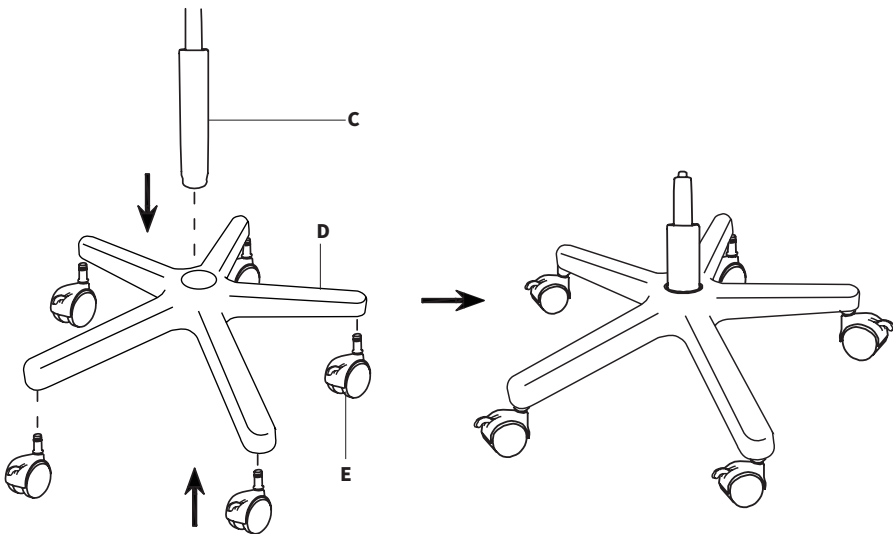
DO NOT EXCEED WEIGHT CAPACITY.
Failure to do so may result in serious injury.

220lbs
(100kg)

ASSEMBLY STEPS

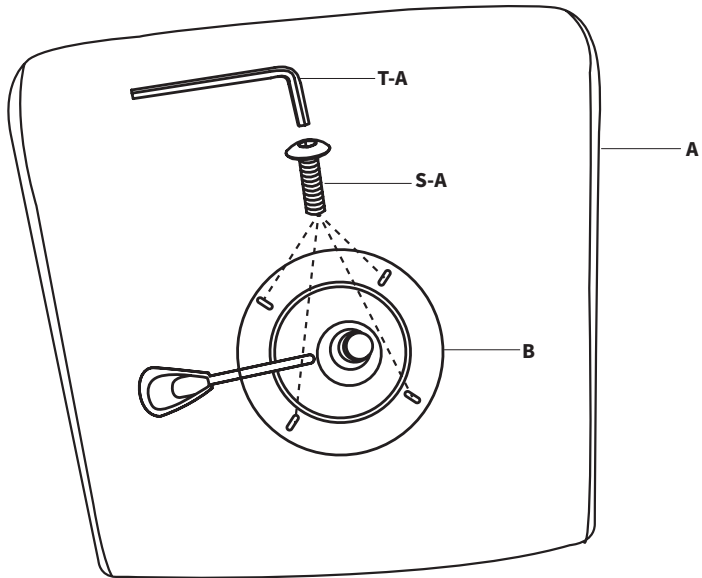
STEP 1

Press Casters (E) into underside of Base (D), then press Gas Spring (C) into the top hole of Base (D).



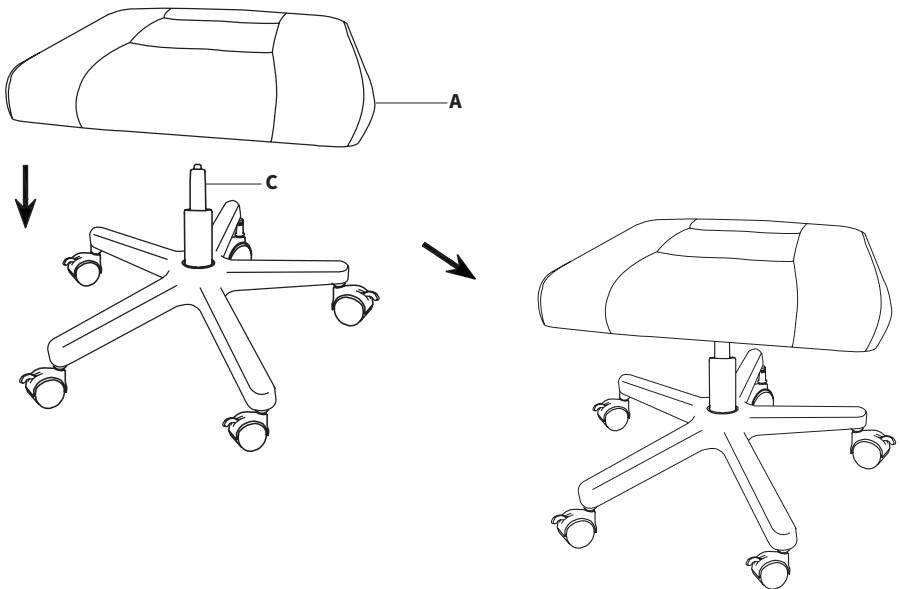
STEP 2

Secure Support Bracket (**B**) to underside of Seat (**A**) using M6x18mm Screws (**S-A**) and 6mm Allen Wrench (**T-A**).



STEP 3

Place Seat (**A**) with Support Bracket (**B**) onto Gas Spring (**C**) to secure.





Love your new VIVO setup and want to share?
Tag us in your photo! [@vivo_us](#)

LAST UPDATED: 11/03/2022
REV1



Open **Monday - Friday 7:00am - 7:00pm** CST,
our dedicated support team can offer immediate assistance with rapid response times. If any parts are received damaged or defective, please contact us. We are happy to replace parts to ensure you have a fully functioning product.



309-278-5303

AVG. RESOLUTION TIME (*within office hrs*): **5M 4S**



www.vivo-us.com
Chat live with an agent!

AVG. RESOLUTION TIME (*within office hrs*): **< 15 M**



help@vivo-us.com

AVG. RESPONSE TIME (*within office hrs*): **1HR 8M**

- 23% within < 15m
- 38% within < 30m
- 61% within < 1hr
- 83% within < 2hr
- 92% within < 3hr

FOR MORE VIVO PRODUCTS, CHECK OUT OUR WEBSITE AT: www.vivo-us.com