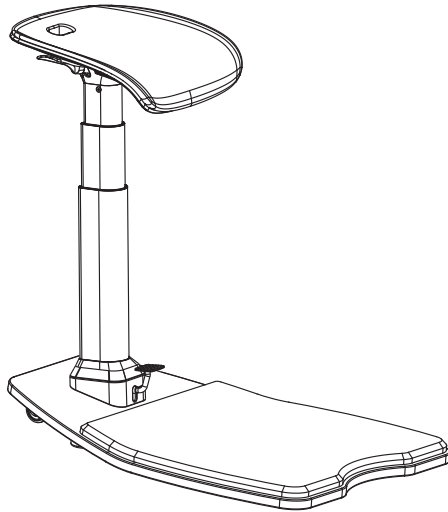




Posture Chair with Anti-Fatigue Mat Instruction Manual



SKU: CHAIR-S02M



Scan the QR code with your mobile device or follow the link for helpful videos and specifications related to this product.

<https://vivo-us.com/products/chair-s02m>

GET IN TOUCH | Monday-Friday from 7:00am-7:00pm CST



help@vivo-us.com



www.vivo-us.com
Chat live with an agent!



309-278-5303



WARNING!

If you do not understand these directions, or if you have any doubts about the safety of the installation, please call a qualified technician. Check carefully to make sure there are no missing or defective parts. Improper installation may cause damage or serious injury. Use this product on a stable, level surface. Do not use this product for any purpose that is not explicitly specified in this manual. Do not exceed weight capacity. Do not stand on this product. We cannot be liable for damage or injury caused by improper mounting, incorrect assembly, or inappropriate use.



WARNING: CHOKING HAZARD

SMALL PARTS - NOT FOR CHILDREN UNDER 3 YEARS. ADULT SUPERVISION IS REQUIRED.

PACKAGE CONTENTS



A (x1)
Column



B (x1)
Base



C (x1)
Seat



D (x1)
Anti-Fatigue Mat



E (x1)
Lever



F (x1)
Lever Support



G (x4)
M8x40



H (x4)
D8 Washer



I (x1)
Spring



J (x4)
M5x18



K (x1)
M5x30



L (x1)
4mm Allen
Wrench



M (x1)
6mm Allen
Wrench



N (x2)
1.5mm Pad



O (x2)
2.5mm Pad

DO NOT EXCEED WEIGHT CAPACITY.

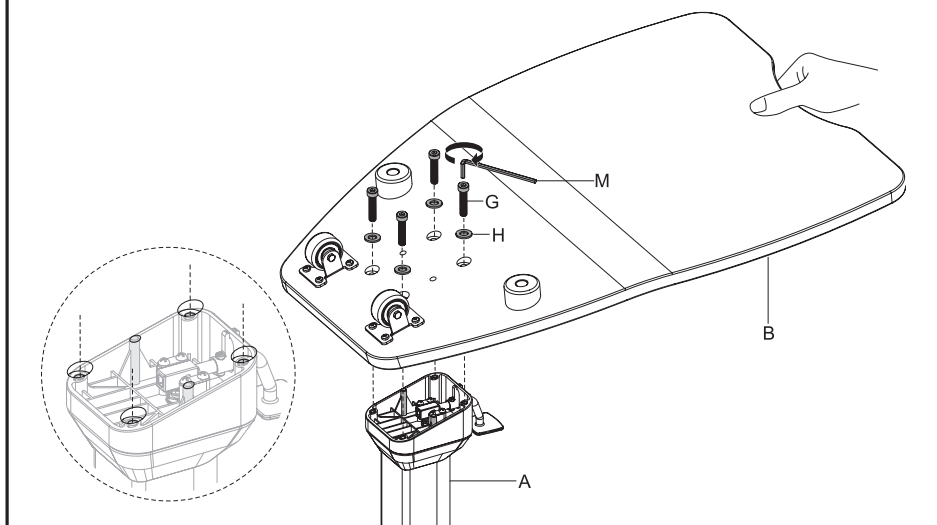
Failure to do so may result in serious injury.



ASSEMBLY STEPS

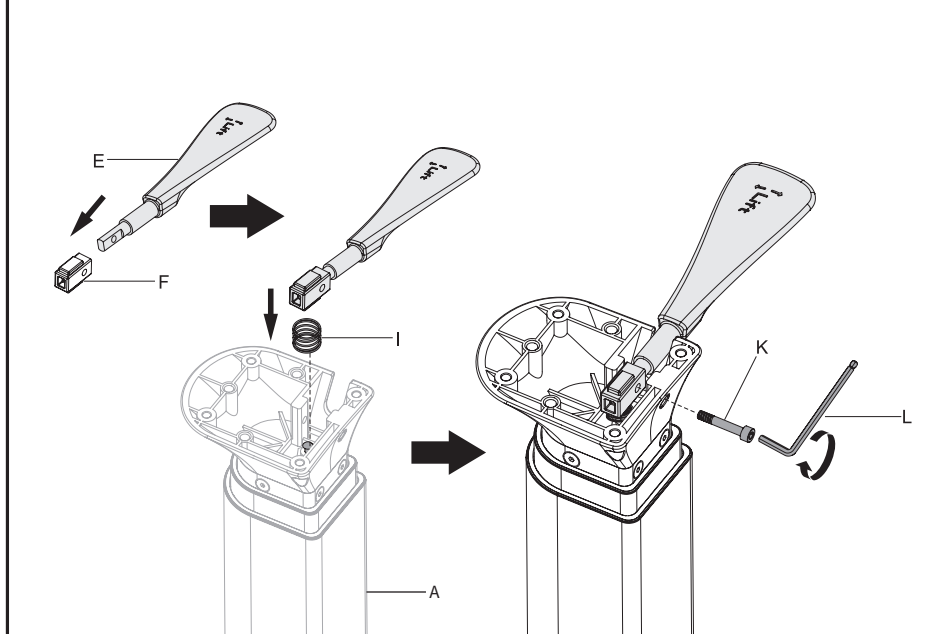
STEP 1

Assemble the Column (A) to the Base (B), making sure the angle of the Column Base (A) is matched to the angle of the Base (B), and secure using M8x40 Screws (G) with D8 Washers (H) and tighten with the 6mm Allen Wrench (M).



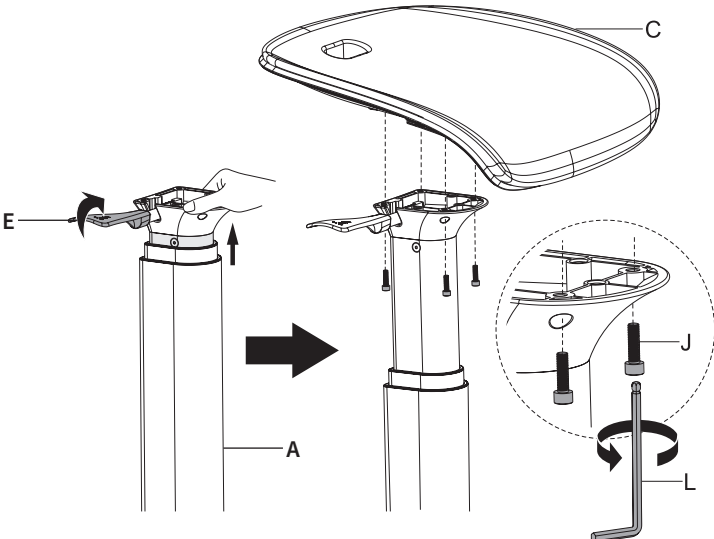
STEP 2

Insert the Lever (E) into the Lever Support (F). Place the Spring (I) and Lever (E) with Support (F) over the top of the pin inside the Column (A), then insert and tighten the M5x30 Screw (K) through the back of the Column (A) using the 4mm Allen Wrench (L) to secure the Lever assembly.



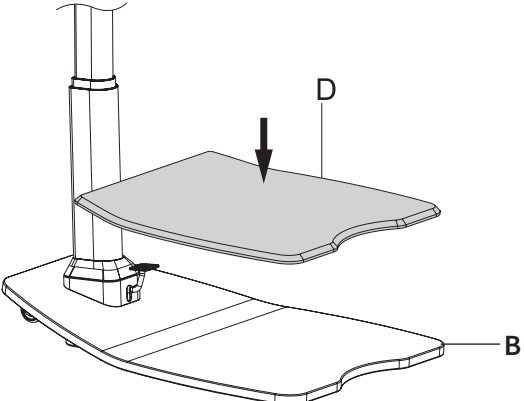
STEP 3

Pull up on the Lever **(E)** to raise the Column **(A)**. Install the Seat **(C)** to the top of the Column **(A)** using the M5x18 Screws **(J)** and tighten with the 4mm Allen Wrench **(L)**.

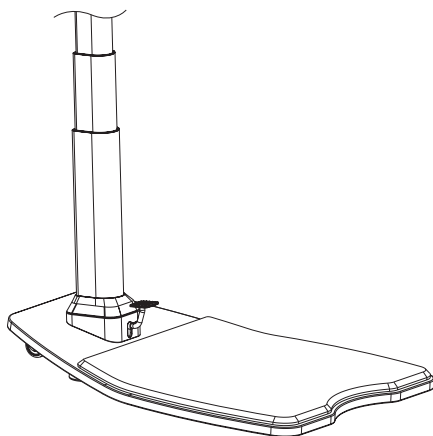


STEP 4

Place the Anti-Fatigue Mat **(D)** on top of the Base **(B)**.

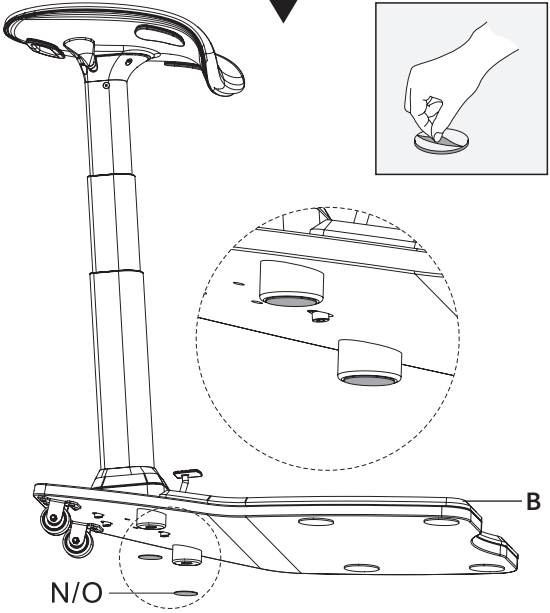
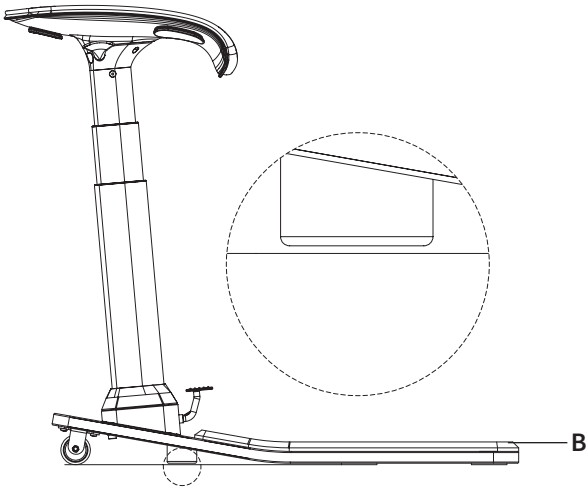


STEP 4 (Continued)



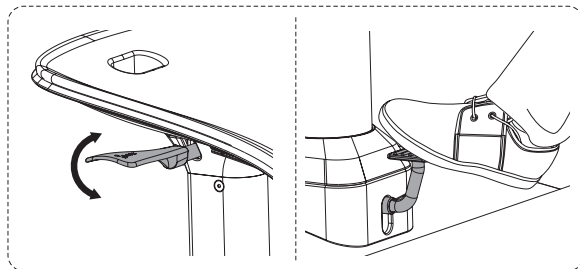
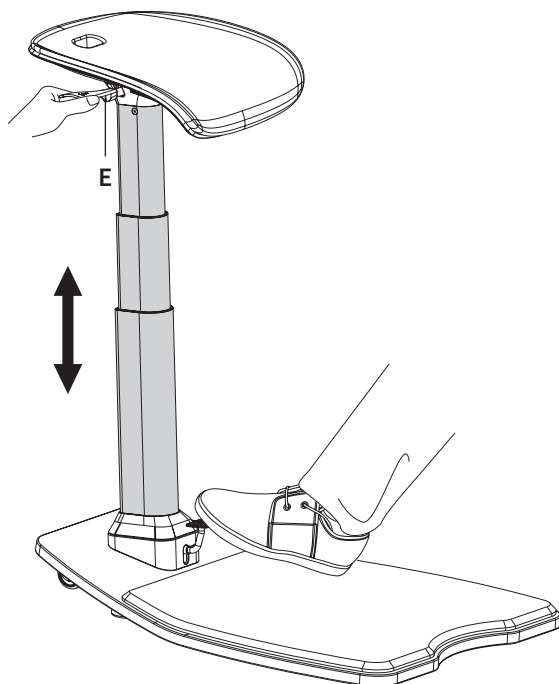
STEP 5

If the two feet of the Base (B) do not touch the floor, peel the backing from the 1.5mm or 2.5mm Pads (N or O) and stick Pads to the feet to eliminate the gap.



STEP 6

Adjust the Seat height using the Lever (E) or Foot Pedal.





Love your new VIVO setup and want to share?
Tag us in your photo! **@vivo_us**

LAST UPDATED: 04/06/2021
REV1.1



Open **Monday - Friday 7:00am - 7:00pm** CST,
our dedicated support team can offer immediate assistance with rapid response times. If any parts are received damaged or defective, please contact us. We are happy to replace parts to ensure you have a fully functioning product.



309-278-5303

AVG. RESOLUTION TIME (*within office hrs*): **5M 4S**



www.vivo-us.com
Chat live with an agent!

AVG. RESOLUTION TIME (*within office hrs*): **< 15 M**



help@vivo-us.com

AVG. RESPONSE TIME (*within office hrs*): **1HR 8M**

- 23% within < 15m
- 38% within < 30m
- 61% within < 1hr
- 83% within < 2hr
- 92% within < 3hr

FOR MORE VIVO PRODUCTS, CHECK OUT OUR WEBSITE AT: www.vivo-us.com