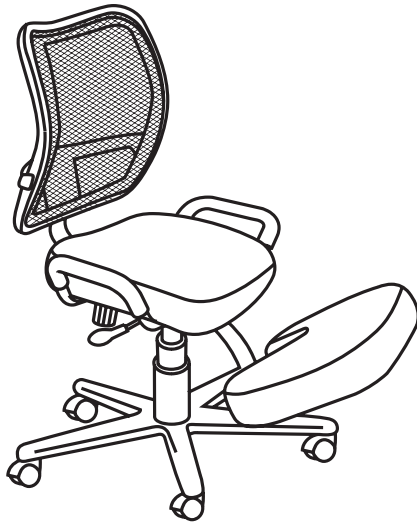




Black Swivel Kneeling Chair with Wheels

Instruction Manual



SKU: CHAIR-K06S



Scan the QR code with your mobile device or follow the link for helpful videos and specifications related to this product.

<https://vivo-us.com/products/chair-k06s>

GET IN TOUCH | Monday-Friday from 7:00am-7:00pm CST



help@vivo-us.com



www.vivo-us.com
Chat live with an agent!



309-278-5303

WARNING!

If you do not understand these directions, or if you have any doubts about the safety of the installation, please call a qualified technician. Check carefully to make sure there are no missing or defective parts. Improper installation may cause damage or serious injury. Use this product on a stable, level surface. Do not use this product for any purpose that is not explicitly specified in this manual. Do not exceed weight capacity. Do not stand on this product. We cannot be liable for damage or injury caused by improper mounting, incorrect assembly, or inappropriate use.

WARNING: CHOKING HAZARD

SMALL PARTS - NOT FOR CHILDREN UNDER 3 YEARS. ADULT SUPERVISION IS REQUIRED.

 **WARNING:** THIS PRODUCT CAN RESTRICT CIRCULATION TO LEGS WITH PROLONGED USE.

PACKAGE CONTENTS



A (x5)
Caster



B (x16)
M6x20



C (x2)
M8x60



D (x2)
Spacer



E (x1)
Rear Cover



F (x2)
Handle



G (x6)
M8x22x2.5
Washer



H (x4)
M8x38x1.5
Washer



I (x1)
Base



J (x1)
Frame



K (x1)
Pneumatic
Support



L (x1)
Support
Cover



M (x1)
Seat Pad



N (x1)
Knee Pad



O (x1)
Seat Back



P (x1)
Allen Wrench

TOOLS NEEDED



Phillips
Screwdriver

DO NOT EXCEED WEIGHT CAPACITY.

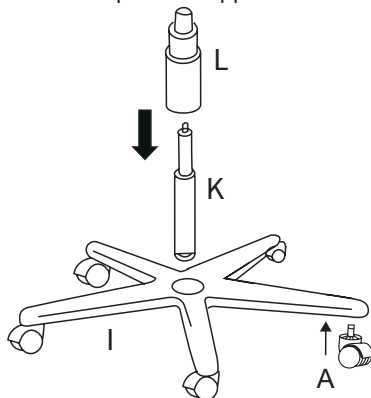
Failure to do so may result in serious injury.



ASSEMBLY STEPS

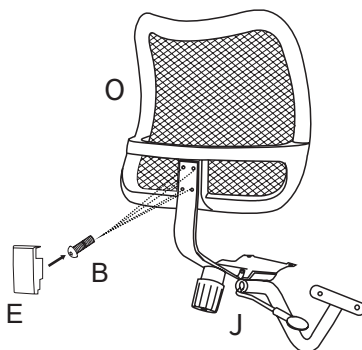
STEP 1

Press the casters (**A**) into the underside of the base (**I**). With the base upright, press the pneumatic support (**K**) down into the center hole, then place the support cover (**L**) over the top of the support.



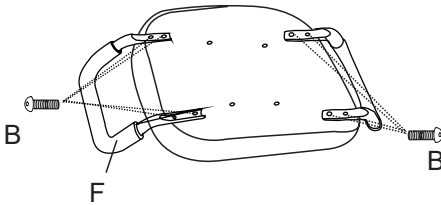
STEP 2

Assemble the seat back (**O**) to the frame (**J**) using x4 M6x20 bolts (**B**). Tighten with the Allen wrench (**P**), then snap the rear cover (**E**) in place.



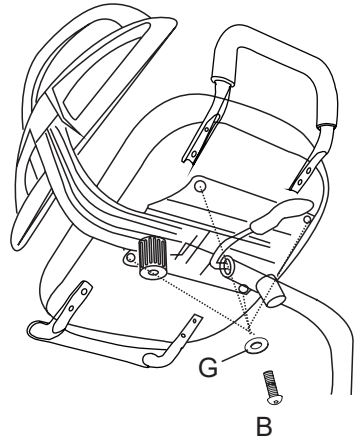
STEP 3

Assemble the handles (**F**) to the seat pad (**M**) using x8 M6x20 bolts (**B**) and tighten with the Allen wrench (**P**).



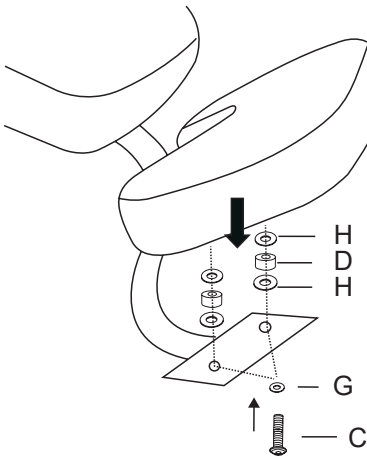
STEP 4

Secure the seat pad (**M**) to the frame (**J**) using x4 M6x20 bolts (**B**) with x4 M8x22x2.5 washers (**G**) and tighten with the Allen wrench (**P**). The seam should be facing to the back.



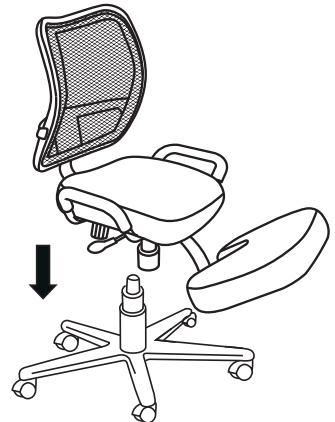
STEP 5

Slide M8x60 bolts (**C**) with an M8x22x2.5 washer (**G**) on each into the underside of the front of the frame (**J**). Place an M8x38x1.5 washer (**H**), spacer (**D**), then another M8x38x1.5 washer onto each bolt, then tighten bolts into the knee pad (**N**) using the Allen wrench (**P**). The flat end must be facing forward.




STEP 6

Place the assembled frame with pads onto the assembled base and press down. Lift the lever on the side to adjust chair height, and turn the rear knob to adjust seat back tension.





Open **Monday - Friday 7:00am - 7:00pm** CST,
our dedicated support team can offer immediate assistance with rapid response times. If any parts are received damaged or defective, please contact us. We are happy to replace parts to ensure you have a fully functioning product.

 309-278-5303

AVG. RESOLUTION TIME (*within office hrs*): **5M 4S**

 www.vivo-us.com
Chat live with an agent!

AVG. RESOLUTION TIME (*within office hrs*): **< 15 M**

 help@vivo-us.com

AVG. RESPONSE TIME (*within office hrs*): **1HR 8M**

- 23% within < 15m
- 38% within < 30m
- 61% within < 1hr
- 83% within < 2hr
- 92% within < 3hr