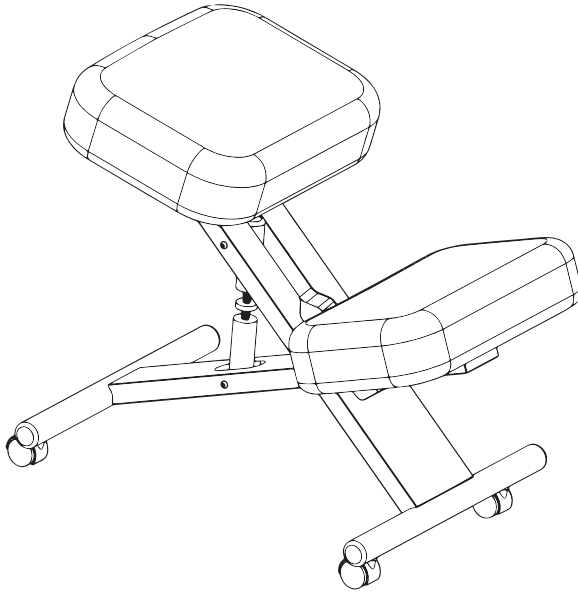


---

## Wooden Kneeling Chair with Wheels

Instruction Manual



**SKU: CHAIR-K03D**



Scan the QR code with your mobile device or follow the link for helpful videos and specifications related to this product.

<https://vivo-us.com/products/chair-k03d>

---

GET IN TOUCH | Monday-Friday from 7:00am-7:00pm CST



help@vivo-us.com



www.vivo-us.com  
*Chat live with an agent!*



309-278-5303

# **WARNING!**

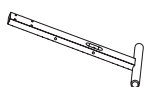
If you do not understand these directions, or if you have any doubts about the safety of the installation, please call a qualified technician. Check carefully to make sure there are no missing or defective parts. Improper installation may cause damage or serious injury. Use this product on a stable, level surface. Do not use this product for any purpose that is not explicitly specified in this manual. Do not exceed weight capacity. Do not stand on this product. We cannot be liable for damage or injury caused by improper mounting, incorrect assembly, or inappropriate use.

## **WARNING: CHOKING HAZARD**

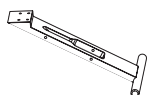
SMALL PARTS - NOT FOR CHILDREN UNDER 3 YEARS. ADULT SUPERVISION IS REQUIRED.

 **WARNING:** THIS PRODUCT CAN RESTRICT CIRCULATION TO LEGS WITH PROLONGED USE.

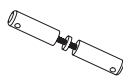
## PACKAGE CONTENTS



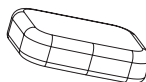
**A (x1)**  
Lower Frame



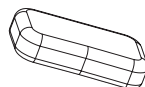
**B (x1)**  
Upper Frame



**C (x1)**  
Adjustable  
Support



**D (x1)**  
Seat Pad



**E (x1)**  
Knee Pad



**F (x4)**  
Caster



**S-A (x6)**  
M6x12 Screw



**S-B (x4)**  
M6x35 Screw



**S-C (x4)**  
M6x40 Screw  
with Washer



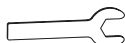
**S-D (x2)**  
Long Sleeve  
Nut



**S-E (x1)**  
Medium  
Sleeve Nut



**T-A (x2)**  
5mm Allen  
Wrench



**T-B (x1)**  
Hex Wrench

## TOOLS NEEDED



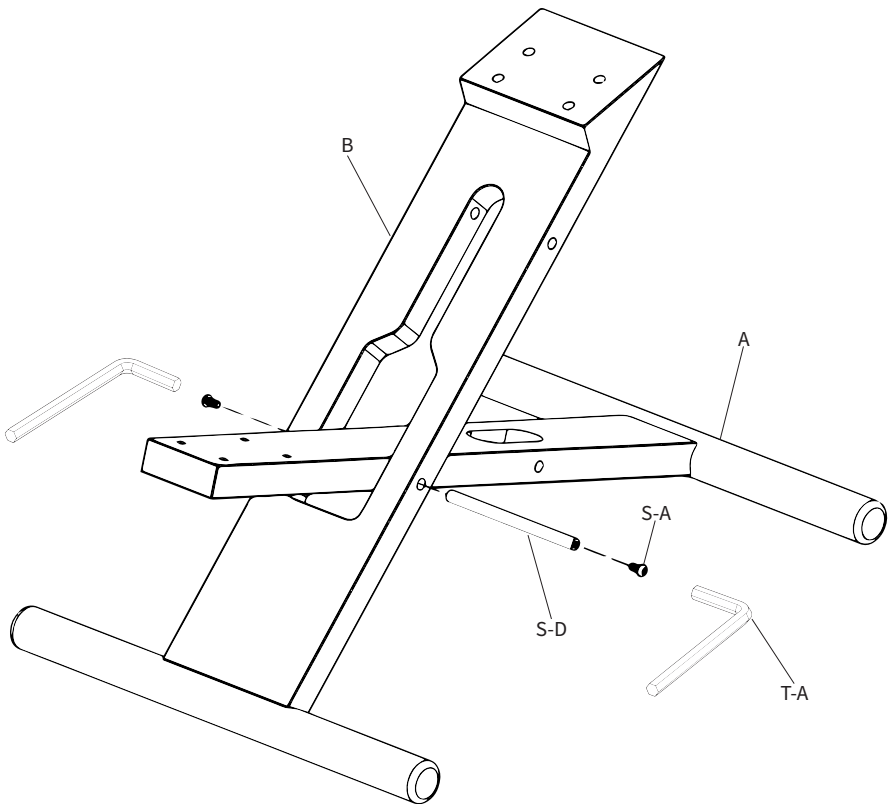
**DO NOT EXCEED WEIGHT CAPACITY.**  
Failure to do so may result in serious injury.



## ASSEMBLY STEPS

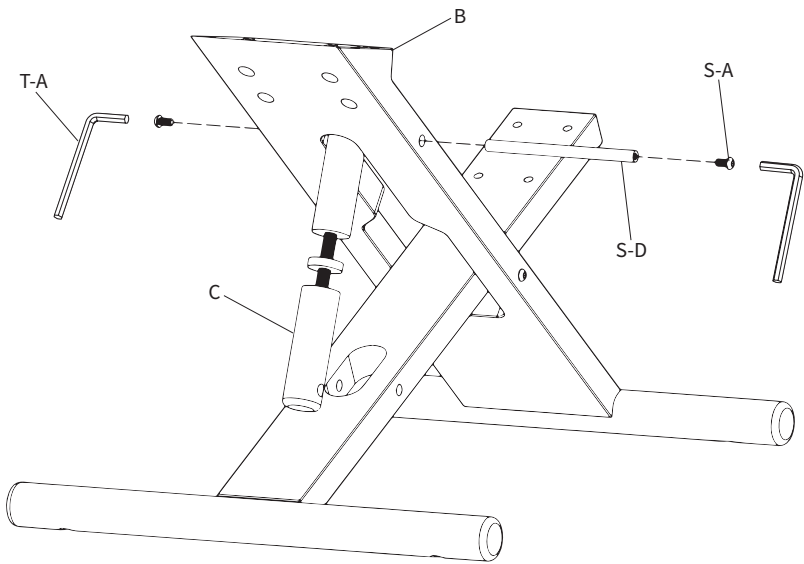
### STEP 1

Insert Lower Frame (A) into Upper Frame (B). Assemble frames using the Long Sleeve Nut (S-D) with M6x12 Screws (S-A) and tighten using 5mm Allen Wrenches (T-A).



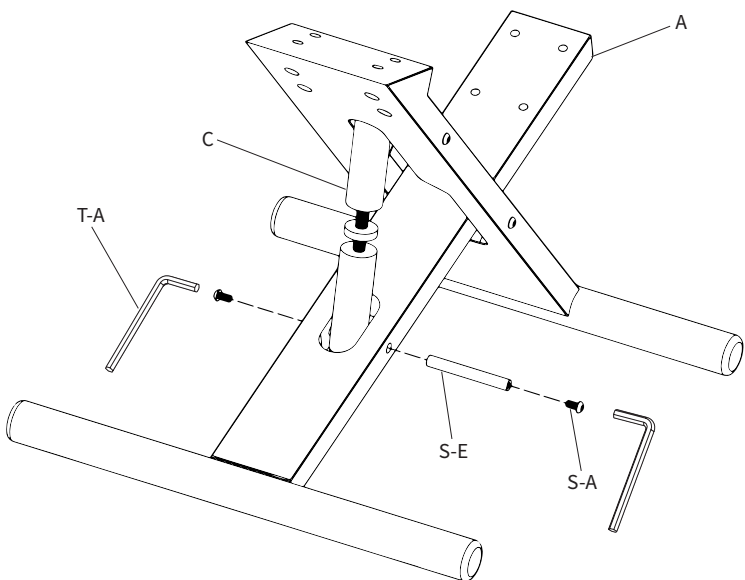
## STEP 2

Assemble Adjustable Support **(C)** to rear of Upper Frame **(B)** using Long Sleeve Nut **(S-D)** with M6x12 Screws **(S-A)** and tighten using 5mm Allen Wrenches **(T-A)**.



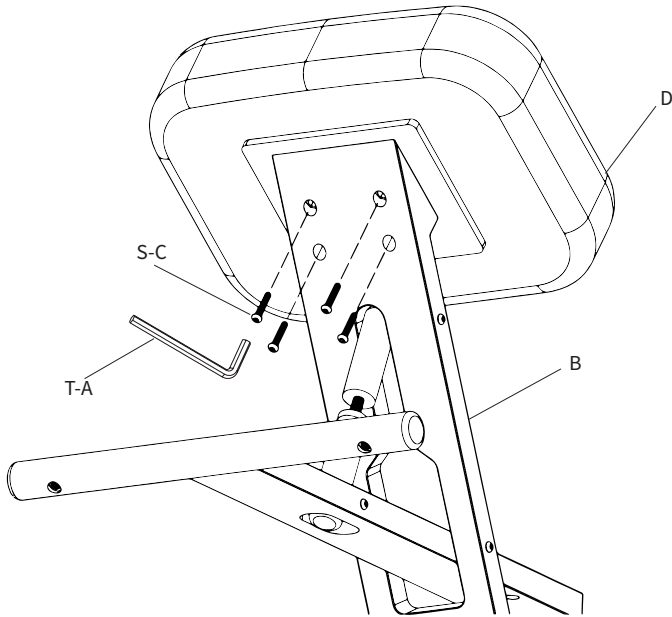
## STEP 3

Connect Adjustable Support **(C)** to rear of Lower Frame **(A)** using Medium Sleeve Nut **(S-E)** with M6x12 Screws **(S-A)** and tighten with 5mm Allen Wrenches **(T-A)**.



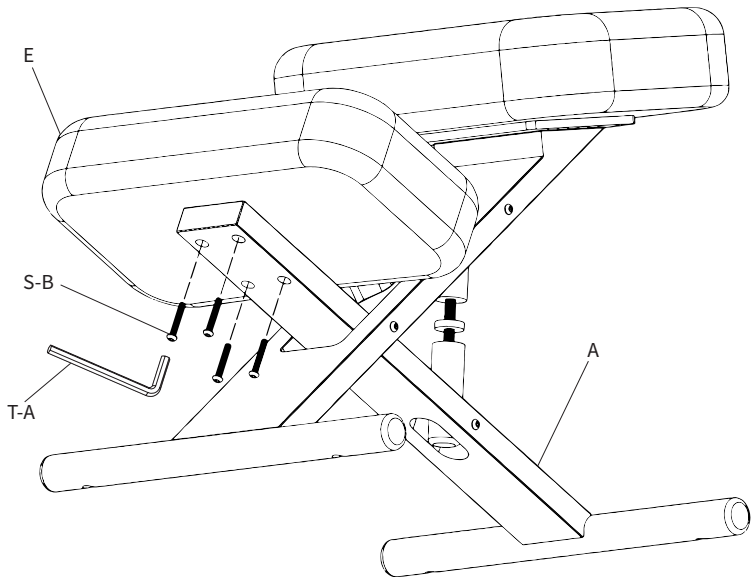
## STEP 4

Assemble Seat Pad (**D**) to rear of Upper Frame (**B**) using M6x40 Screws (**S-C**) and tighten with 5mm Allen Wrench (**T-A**).



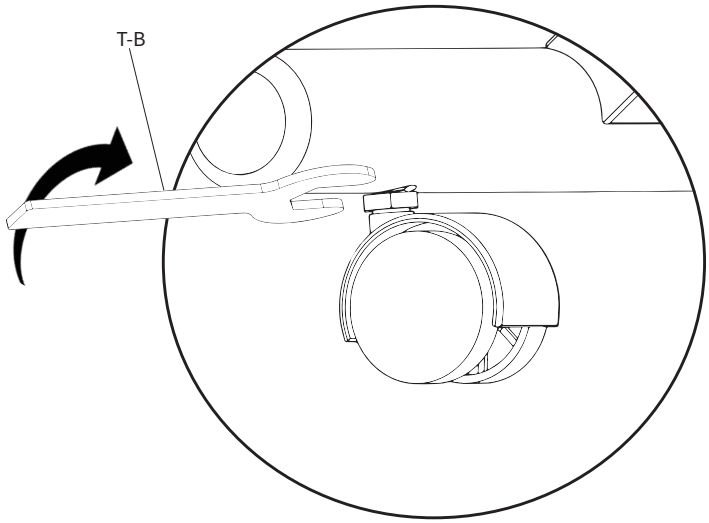
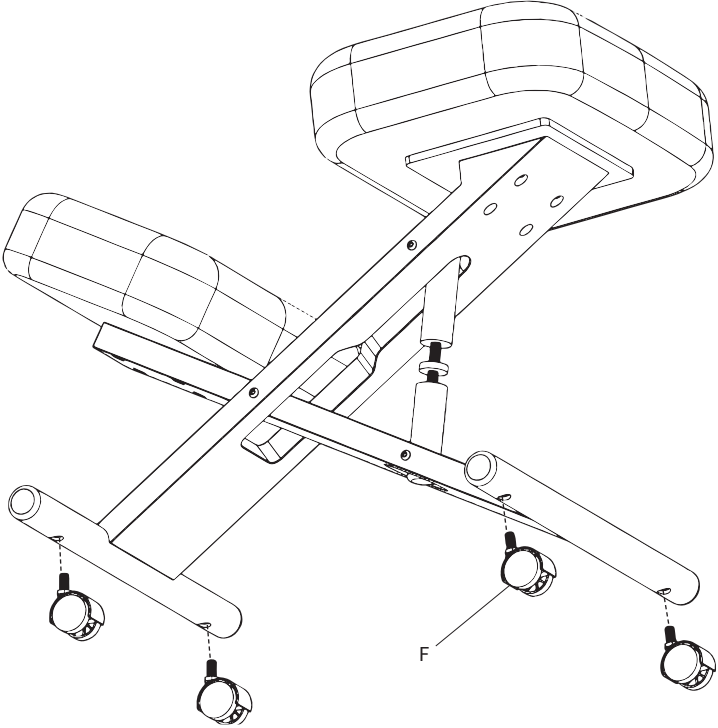
## STEP 5

Assemble Knee Pad (**E**) to front of Lower Frame (**A**) using M6x35mm Screws (**S-B**) and tighten with 5mm Allen Wrench (**T-A**).



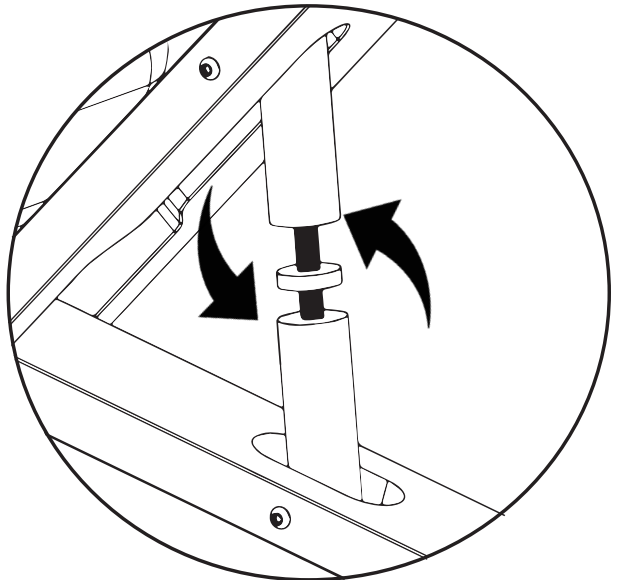
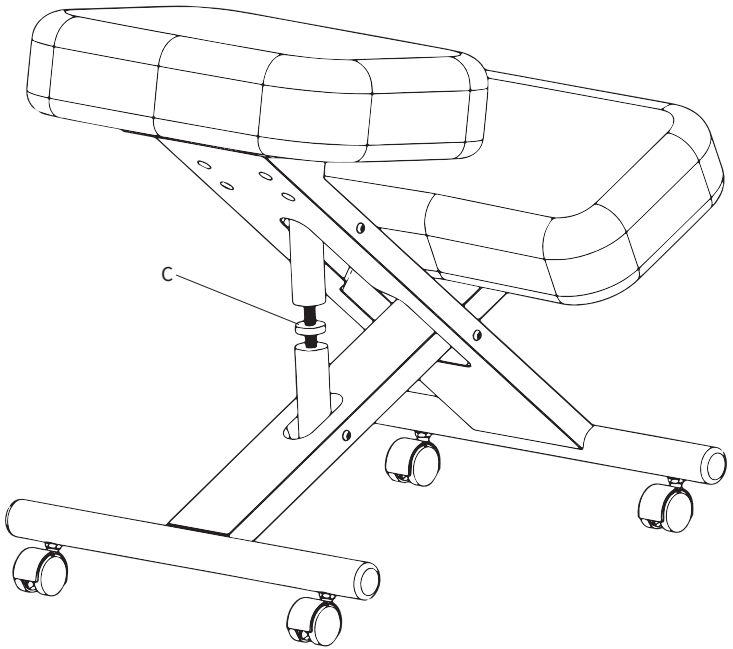
STEP 6

Thread Casters (F) into holes on underside of the frames using Hex Wrench (T-B).



## STEP 7

Adjust seat height and angle by turning the knob on the Adjustable Support (C).





Open **Monday - Friday 7:00am - 7:00pm** CST,  
our dedicated support team can offer immediate assistance with rapid response times. If any parts are received damaged or defective, please contact us. We are happy to replace parts to ensure you have a fully functioning product.

 309-278-5303 **AVG. RESOLUTION TIME** (*within office hrs*): **5M 4S**

---

 [www.vivo-us.com](http://www.vivo-us.com) **AVG. RESOLUTION TIME** (*within office hrs*): **< 15 M**  
*Chat live with an agent!*

---

 [help@vivo-us.com](mailto:help@vivo-us.com) **AVG. RESPONSE TIME** (*within office hrs*): **1HR 8M**  
- 23% within < 15m  
- 38% within < 30m  
- 61% within < 1hr  
- 83% within < 2hr  
- 92% within < 3hr