

# Cross Legged Chair with Wheels

*SKU: CHAIR-CL02B*  
Instruction Manual

---

Assembly Video & Product Info  
[www.vivo-us.com/products/chair-cl02b](http://www.vivo-us.com/products/chair-cl02b)





# ! CAUTION! !

If you do not understand these directions, or if you have any doubts about the safety of the installation, please contact our product support team at 309-278-5303 or help@vivo-us.com for further assistance. Check carefully to make sure there are no missing or defective parts. Improper installation may cause damage or serious injury. Do not use this product for any purpose that is not explicitly specified in this manual. Do not exceed weight capacity. We cannot be liable for damage or injury caused by improper mounting, incorrect assembly or inappropriate use.



## WARNING: CHOKING HAZARD

SMALL PARTS - NOT FOR CHILDREN UNDER 3 YEARS. ADULT SUPERVISION IS REQUIRED.



## DO NOT EXCEED WEIGHT CAPACITY

FAILURE TO DO SO MAY RESULT IN SERIOUS INJURY.

---

## We're Here for You

Open **Monday - Friday 7:00am - 7:00pm** CST, our dedicated support team can offer immediate assistance with rapid response times. If any parts are received damaged or defective, please contact us. We are happy to replace parts to ensure you have a fully functioning product.



Give us a Call:  
**309-278-5303**

AVG. RESOLUTION TIME (*within office hrs*): **5M 4S**



Chat Us:  
**www.vivo-us.com**

AVG. RESOLUTION TIME (*within office hrs*): **< 15 M**

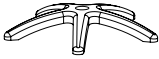


Email Us:  
**help@vivo-us.com**

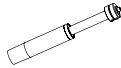
AVG. RESPONSE TIME (*within office hrs*): **1HR 8M**

- 23% within < 15m
- 38% within < 30m
- 61% within < 1hr
- 83% within < 2hr
- 92% within < 3hr

# Package Contents



**A (x1)**  
Base



**B (x1)**  
Gas Spring



**C (x1)**  
Lower Support



**D (x1)**  
Adjustment  
Screw



**E (x1)**  
Back Rest  
Support



**F (x1)**  
Back Rest Pad



**G (x1)**  
Seat Pad



**H (x1)**  
Foot Pad



**I (x1)**  
Back Rest  
Bracket



**J (x5)**  
Casters

---

# Included Hardware & Tools



**S-A (x4)**  
M6x20mm  
Screws



**S-B (x4)**  
M6x16mm  
Screws



**S-C (x2)**  
M8x22mm  
Screws



**S-D (x2)**  
M8x30mm  
Screws



**T-A (x1)**  
5mm Allen  
Wrench

---

# Tools Needed:



**Phillips  
Screwdriver**

# Weight Capacity:

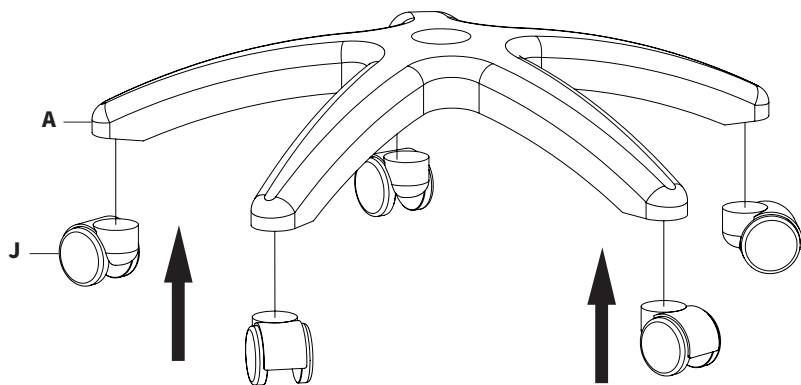


**220lbs  
(100kg)**

## ASSEMBLY STEPS

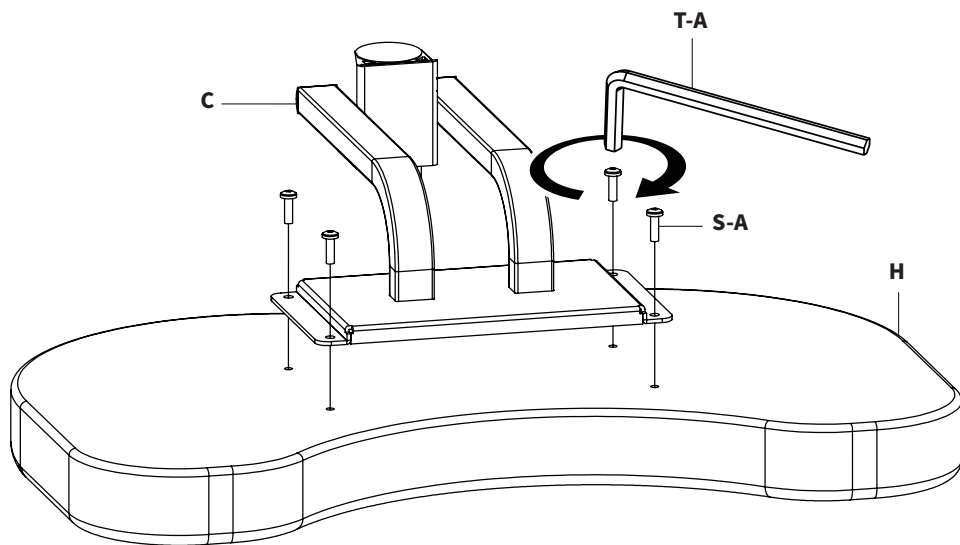
### STEP 1

Connect Casters (**J**) to underside of Base (**A**).



### STEP 2

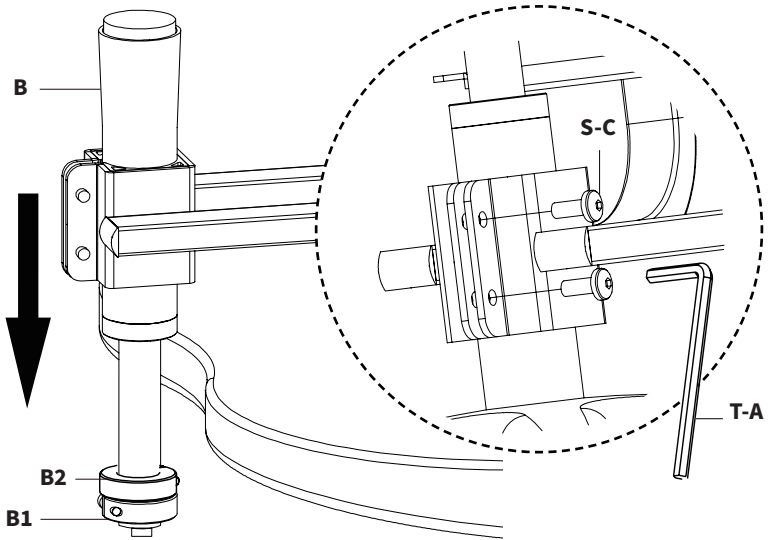
Secure the Foot Pad (**H**) to the Lower Support (**C**) using the M6x20mm Screws (**S-A**) and 5mm Allen Wrench (**T-A**).



### STEP 3

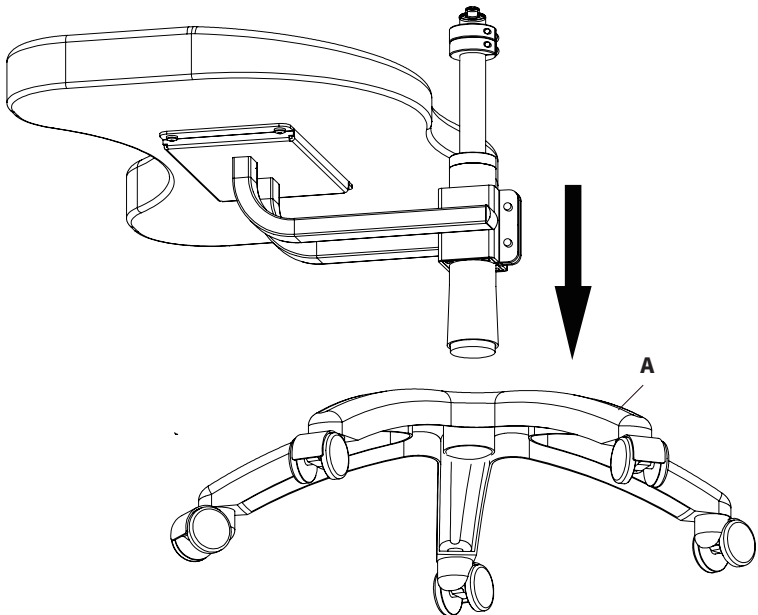
Slide the Gas Spring (B) through the Lower Support (C). Secure using the M8x22mm Screws (S-C) and 5mm Allen Wrench (T-A).

**Note:** Positioning of Lower & Upper Collar (B1,B2) should not adjusted until final step.



### STEP 4

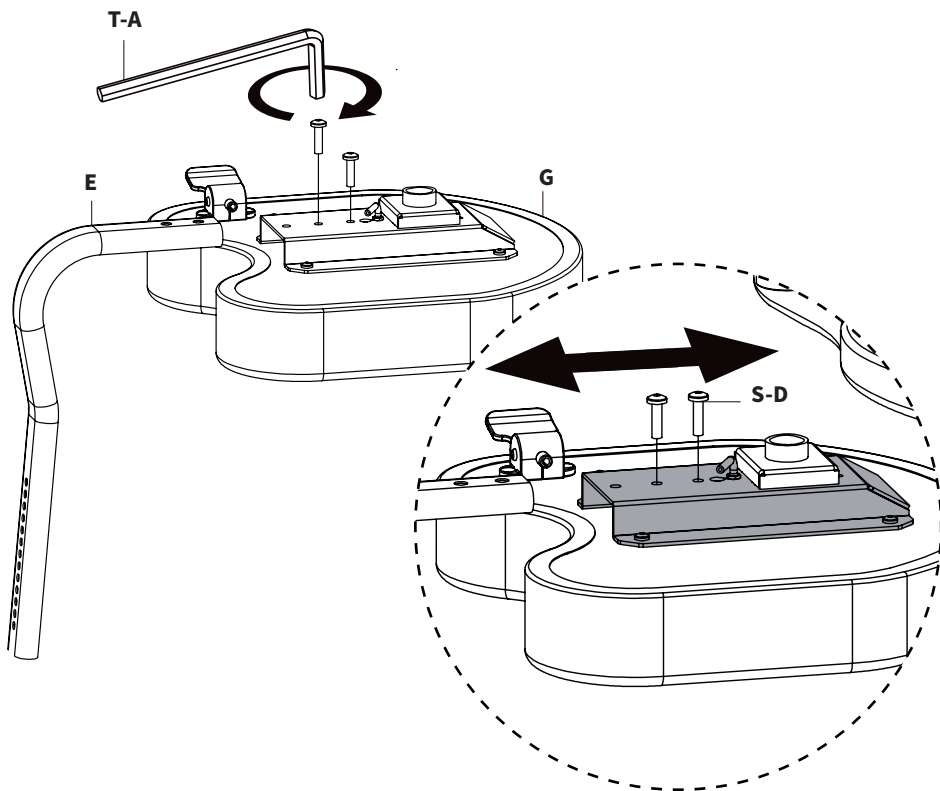
Insert the lower chair assembly into Base (A).



## STEP 5

Slide the Back Rest Support (E) into the bracket on the underside of the Seat Pad (G).

Choose one of the available mounting positions and secure the Back Rest Support (E) using the M8x30mm Screws (S-D) and 5mm Allen Wrench (T-A). The hole set closer to the middle of the Seat Pad (G) will position the Back Rest (installed in later step) further up, and the rear-set hole position will set it further back.



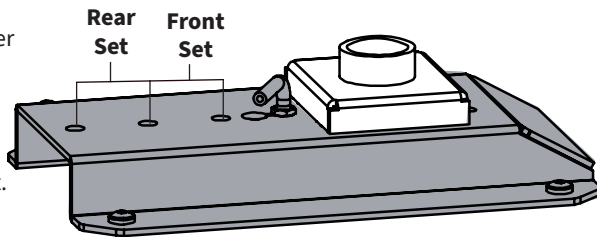
### Mounting Positions

#### Front Set:

Positions Back Rest closer to the front of the Seat.

#### Rear Set:

Position Back Rest further back on the Seat.



*\*Back Rest will be installed in a future step*

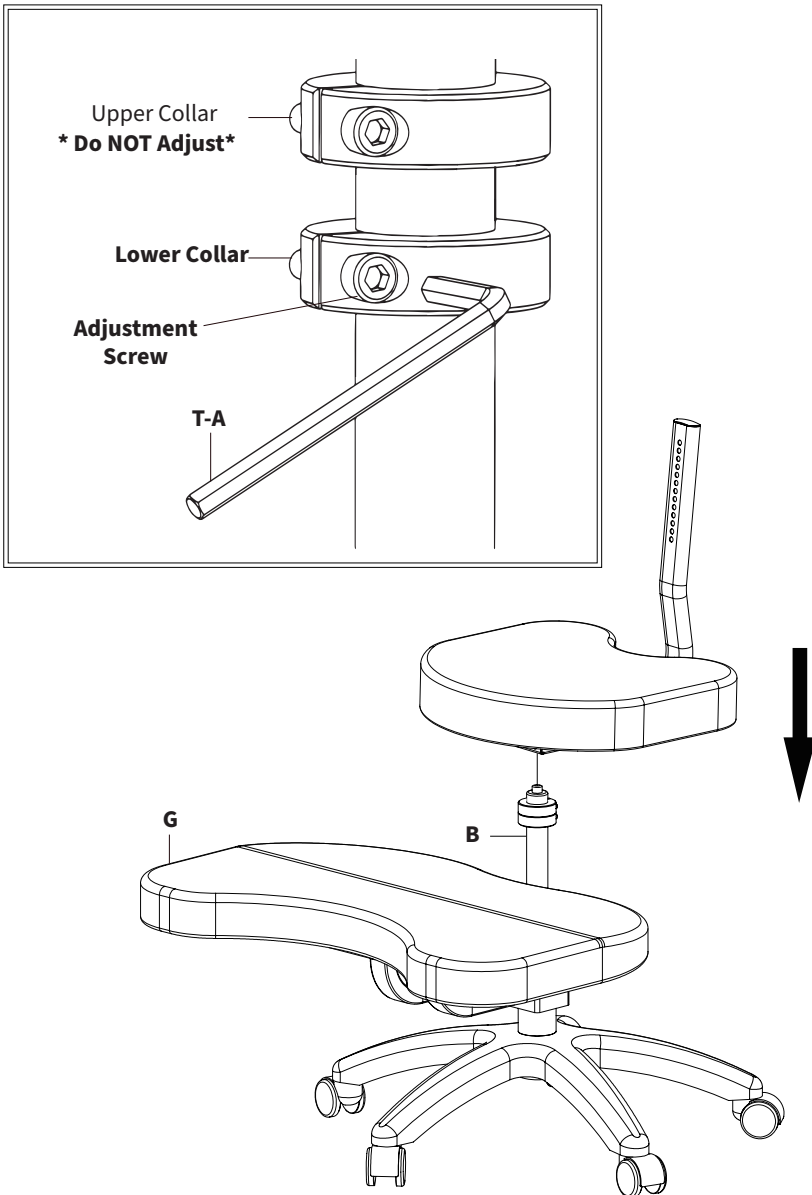
## STEP 6

Place upper chair assembly on Gas Spring **(B)**.

If you find that the Seat **(G)** lowers too far down, you can adjust the Minimum Height, restricting how far down the Seat can lower. then you may want to set a minimum height.

Use the 5mm Allen Wrench **(T-A)** to loosen the **Adjustment Screw** on the **Lower Collar** and slide it down to the desired position to minimum height setting. Tighten to secure.

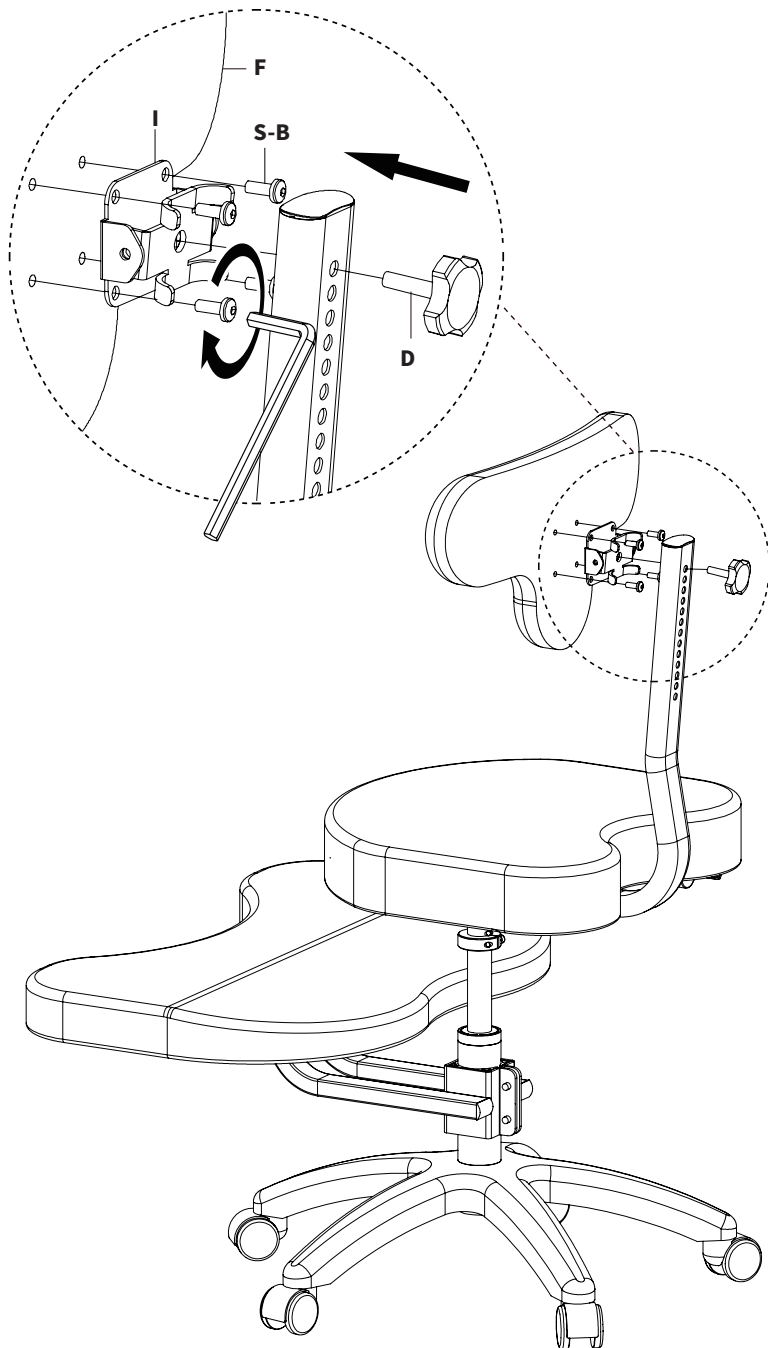
**WARNING:** The Upper Collar does not affect the height range and should **NOT** be adjusted at any point.





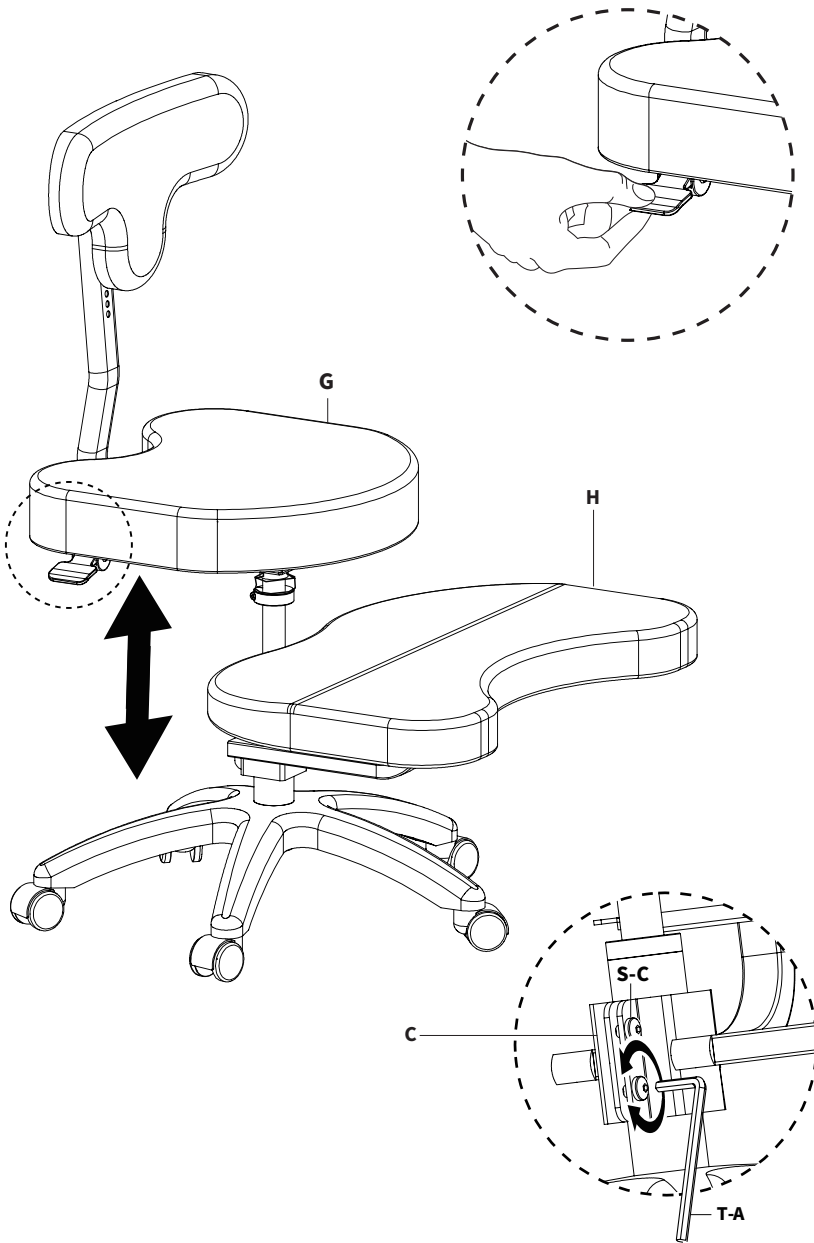
## STEP 5

Attach Back Rest Bracket (**I**) to Back Rest Pad (**F**) using M6x16mm Screws (**S-B**) and 5mm Allen Wrench (**T-A**). Choose your preferred height on Back Rest Support (**E**) and secure assembled back rest using Adjustment Screw (**D**).



## STEP 6

Adjust the height of the seat by pulling the handle below the Seat Pad (**G**). The height of the Foot Pad (**H**) can be adjusted by loosening the screws on Lower Support (**C**) using the 5mm Allen Wrench (**T-A**).



[ THIS PAGE INTENTIONALLY LEFT BLANK ]



## Need Help? Get In Touch

Monday-Friday from 7:00am-7:00pm CST



[help@vivo-us.com](mailto:help@vivo-us.com)



[www.vivo-us.com](http://www.vivo-us.com)

*Chat live with an agent!*



309-278-5303



**VIVO-us** @vivo\_us