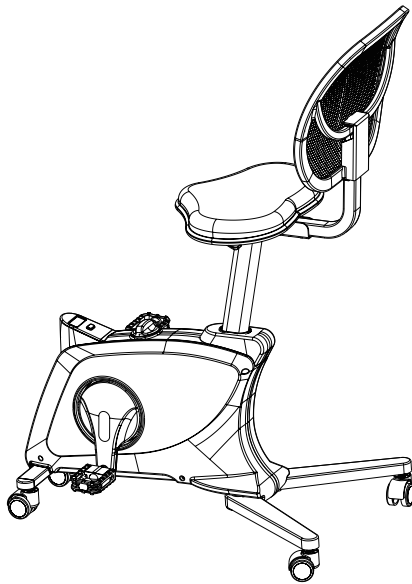




Black Height Adjustable Deskside Bike Instruction Manual



SKU: CHAIR-BIKE1B



Scan the QR code with your mobile device or follow the link for helpful videos and specifications related to this product.

<https://vivo-us.com/products/chair-bike1b>

GET IN TOUCH | Monday-Friday from 7:00am-7:00pm CST



help@vivo-us.com



www.vivo-us.com
Chat live with an agent!



309-278-5303



WARNING!

If you do not understand these directions, or if you have any doubts about the safety of the installation, please call a qualified technician. Check carefully to make sure there are no missing or defective parts. Improper installation may cause damage or serious injury. Use this product on a stable, level surface. Do not use this product for any purpose that is not explicitly specified in this manual. Do not exceed weight capacity. Do not stand on this product. We cannot be liable for damage or injury caused by improper mounting, incorrect assembly, or inappropriate use.

! WARNING: CHOKING HAZARD

SMALL PARTS - NOT FOR CHILDREN UNDER 3 YEARS. ADULT SUPERVISION IS REQUIRED.

PACKAGE CONTENTS



A (x1)
Base



B (x1)
Seat



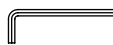
C (x1)
Back Support



S-A (x6)
M8x20
Screw



S-B (x6)
M8
Washer



T-A (x1)
5mm Allen
Wrench

DO NOT EXCEED WEIGHT CAPACITY.

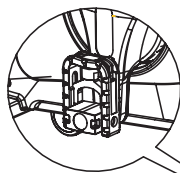
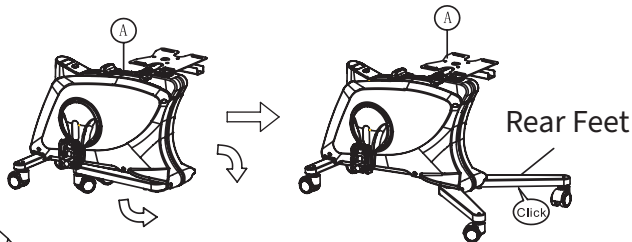
Failure to do so may result in serious injury.



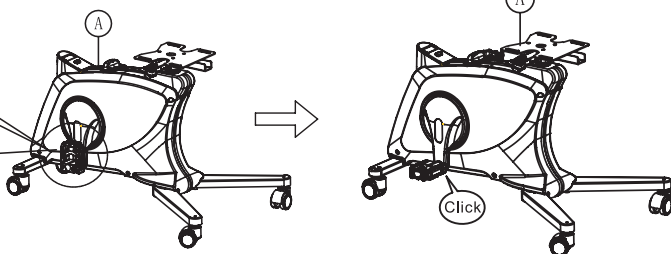
ASSEMBLY STEPS

STEP 1

Unfold the rear feet and pedals of Base (A). They should click into place.

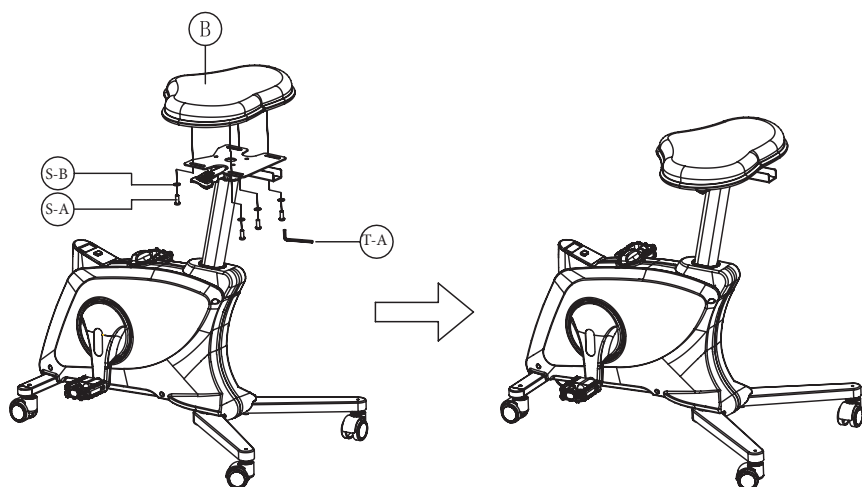
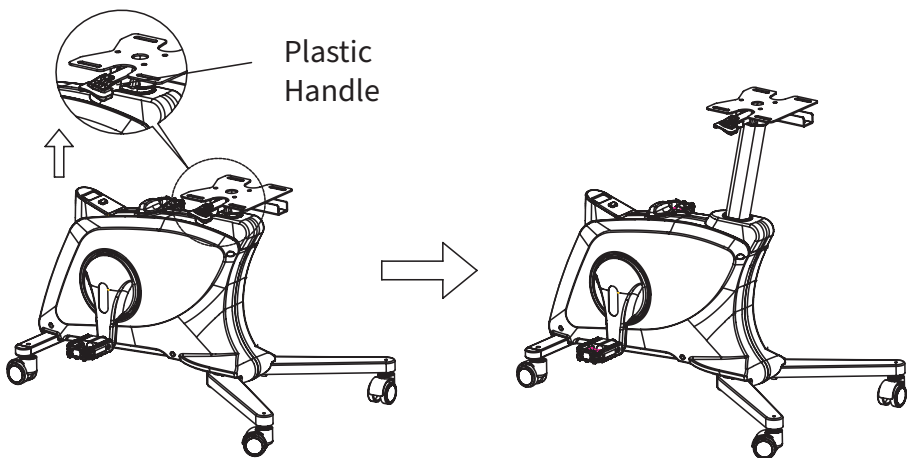


Left Pedal



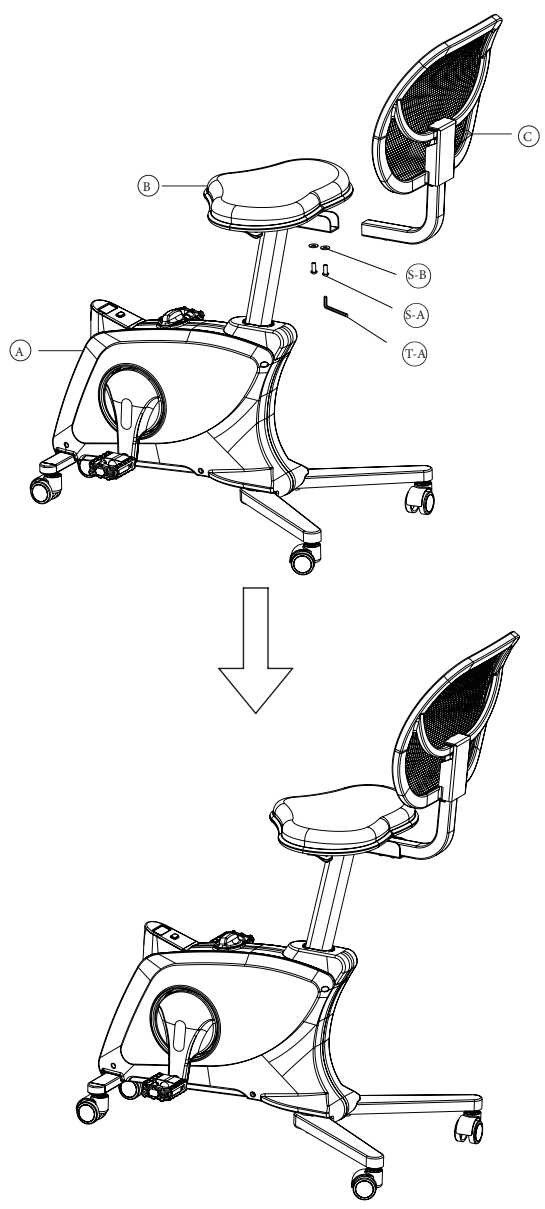
STEP 2

Raise the handle underneath the seat plate on Base (A) to raise the seat post. Mount Seat (B) to Base (A) using M8x20 Screws (S-A) with M8 Washers (S-B). Tighten using 5mm Allen Wrench (T-A).



STEP 3

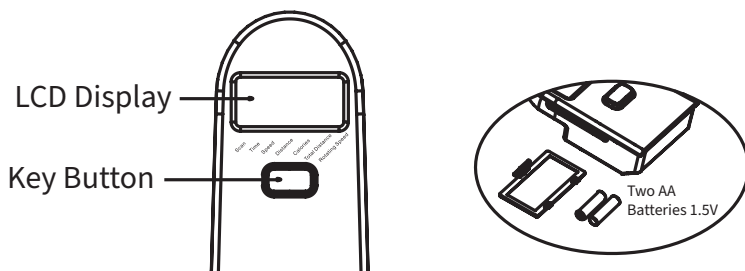
Insert Back Support (C) into the seat post of Base (A), just under Seat (B). Secure using M8x20 Screws (S-A) and M8 Washers (S-B). Tighten using 5mm Allen Wrench (T-A).



OPERATION

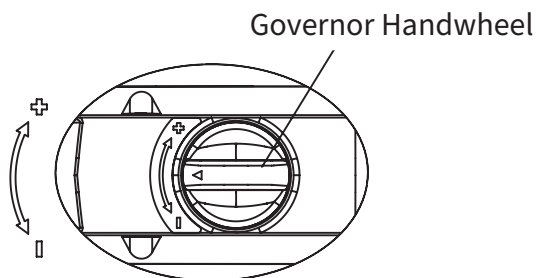
DISPLAY OPERATION

The LCD display requires two AA batteries (*not included*). Use the key button to cycle through the LCD display and select a function.



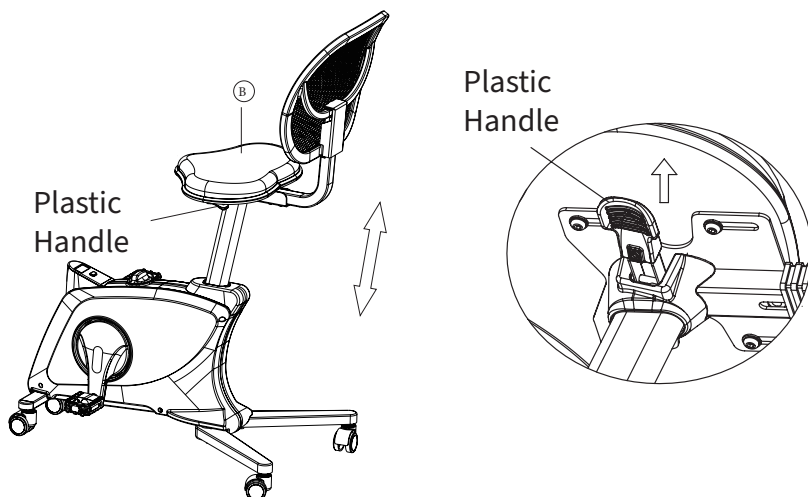
TENSION ADJUSTMENT

Use governor wheel located on top of Base **(A)** to increase or decrease resistance.



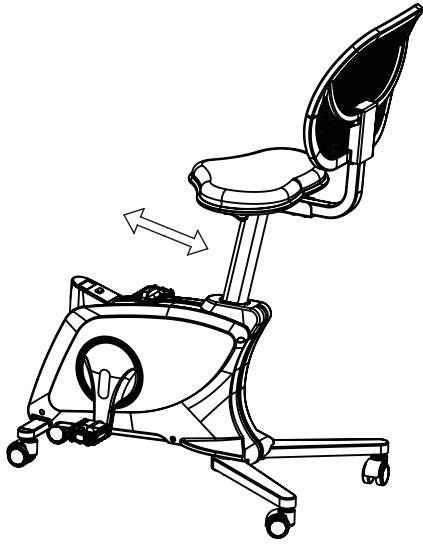
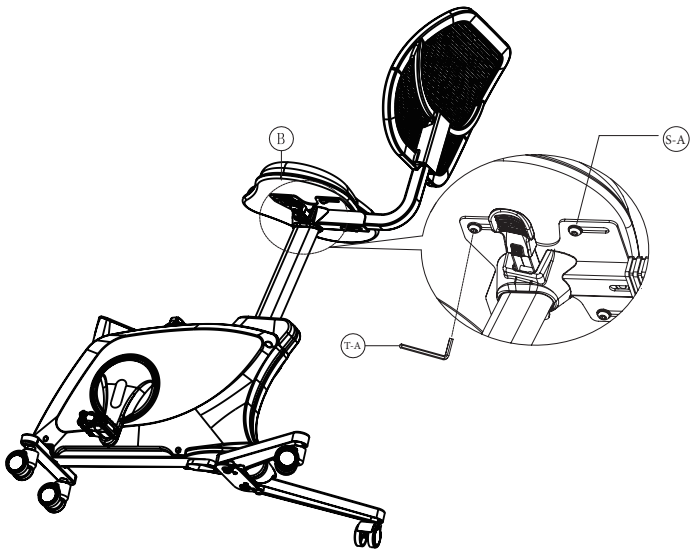
SEAT HEIGHT ADJUSTMENT

The seat height can be adjusted by pulling up on the lever located under Seat **(B)**.



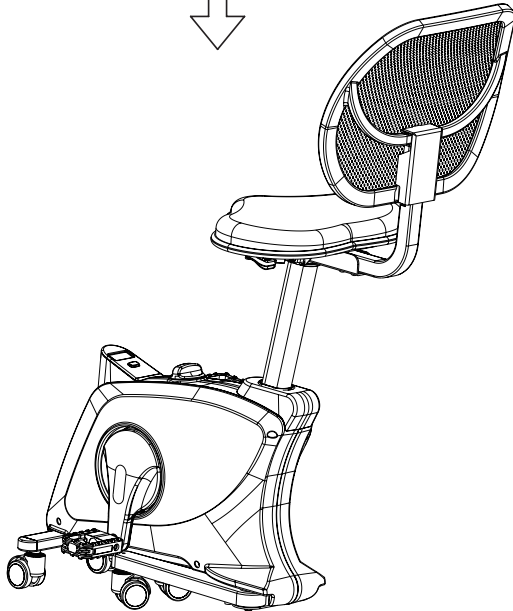
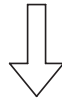
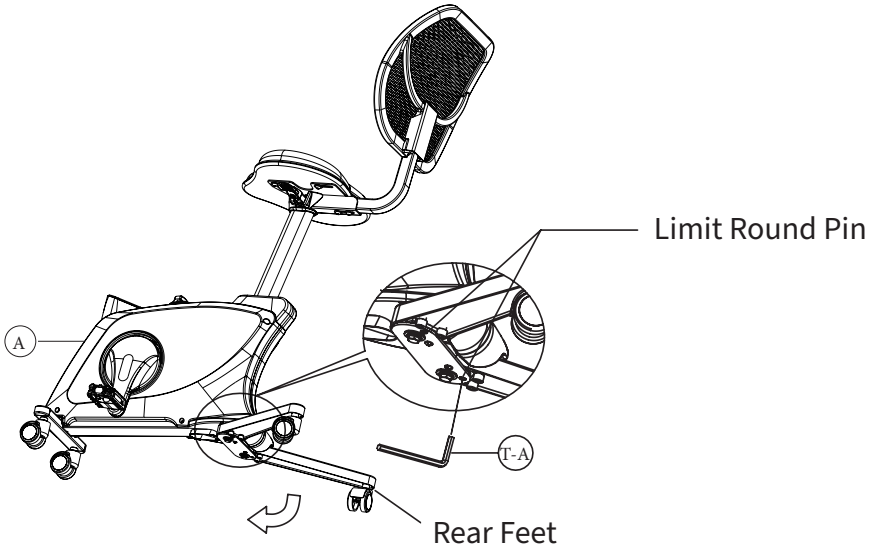
SEAT POSITION ADJUSTMENT

To adjust the seat assembly forward or backward, loosen M8x20 Screws (**S-A**) under Seat (**B**) using 5mm Allen Wrench (**T-A**). Once the seat assembly is in the desired position, retighten M8x20 Screws (**S-A**) using 5mm Allen Wrench (**T-A**).



STORAGE

For storage, use 5mm Allen Wrench (**T-A**) to press in pins located on the underside of Base (**A**) and rotate the feet towards the base.





Love your new VIVO setup and want to share?
Tag us in your photo! **@vivo_us**

LAST UPDATED: 06/03/2021
REV1



Open **Monday - Friday 7:00am - 7:00pm** CST,
our dedicated support team can offer immediate assistance with rapid response times. If any parts are received damaged or defective, please contact us. We are happy to replace parts to ensure you have a fully functioning product.



309-278-5303

AVG. RESOLUTION TIME (*within office hrs*): **5M 4S**



www.vivo-us.com
Chat live with an agent!

AVG. RESOLUTION TIME (*within office hrs*): **< 15 M**



help@vivo-us.com

AVG. RESPONSE TIME (*within office hrs*): **1HR 8M**
- 23% within < 15m
- 38% within < 30m
- 61% within < 1hr
- 83% within < 2hr
- 92% within < 3hr

FOR MORE VIVO PRODUCTS, CHECK OUT OUR WEBSITE AT: www.vivo-us.com