

Mobile Double Sided Dry Erase Board Instruction Manual



SKU: CART-WB48A



Scan the QR code with your mobile device or follow the link for helpful videos and specifications related to this product.

<https://vivo-us.com/products/cart-wb48a>



help@vivo-us.com



www.vivo-us.com



1-800-371-5654

⚠️ WARNING!

If you do not understand these directions, or if you have any doubts about the safety of the installation, please call a qualified technician. Check carefully to make sure there are no missing or defective parts. Improper installation may cause damage or serious injury. Do not use this product for any purpose that is not explicitly specified in this manual. Do not exceed weight capacity. We cannot be liable for damage or injury caused by improper mounting, incorrect assembly or inappropriate use.

⚠️ TIPOVER WARNING

SERIOUS OR FATAL CRUSHING INJURIES CAN OCCUR FROM TIPOVER. TO HELP PREVENT TIPOVER:

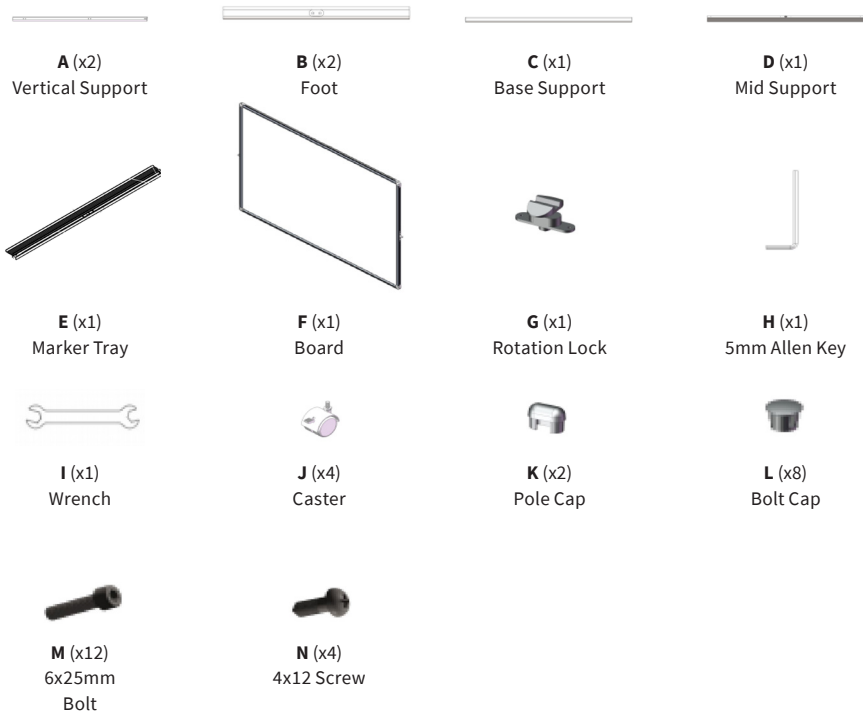
- NEVER ALLOW CHILDREN TO CLIMB, STAND, HANG, OR PLAY ON ANY PART OF CART.
- USE TIPOVER RESTRAINT OR ANCHOR CART TO WALL

USE OF TIPOVER RESTRAINTS MAY ONLY REDUCE, BUT NOT ELIMINATE RISK OF TIPOVER.

⚠️ WARNING: CHOKING HAZARD

SMALL PARTS - NOT FOR CHILDREN UNDER 3 YEARS. ADULT SUPERVISION IS REQUIRED.

PACKAGE CONTENTS

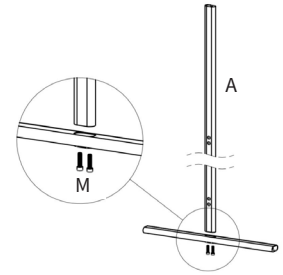


NOTE: NOT ALL HARDWARE INCLUDED WILL BE USED

ASSEMBLY STEPS

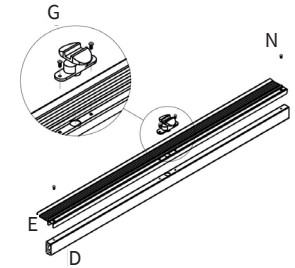
STEP 1a

Install feet (B) to vertical supports (A), using 6x25mm bolts (M).



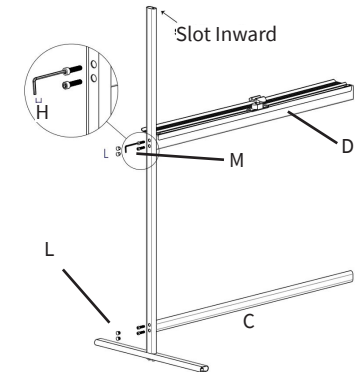
STEP 1b

Attach rotation lock (G) to marker tray (E) and fasten tray to mid support (D) using 4x12 screws (N).



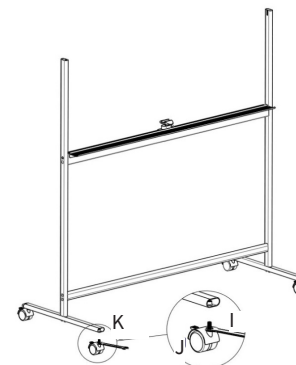
STEP 1c

Fasten mid support (D) and base support (C) to vertical supports using 6x25mm bolts (M). Tighten with the Allen key (H). Cap the bolts (M) with bolt caps (L).



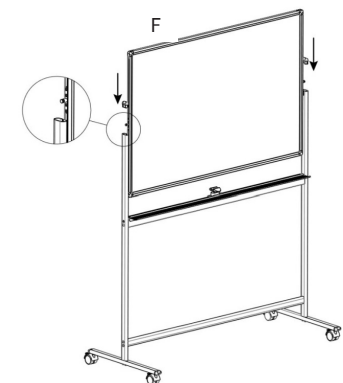
STEP 2a

Cover open ends of feet using pole caps (K). Fasten casters (J) to feet using the wrench (I).



STEP 2b

Slide board (F) into frame. Cover open ends of vertical supports using pole caps (K).



CLEANING TIP: A mild dish washing liquid can be used with a soft cloth to clean the surface.



Love your new VIVO setup and want to share?

Tag us in your photo! **@vivo_us**

Last Updated: 11/07/2018



If any parts are received damaged or defective, please contact us. We are happy to replace parts to ensure you have a fully functioning product.



help@vivo-us.com



www.vivo-us.com



1-800-371-5654

For more VIVO products, check out our website at:
www.vivo-us.com.