

Black Foldable Mobile Laptop Desk

SKU: CART-V10LB

Instruction Manual

Assembly Video & Product Info
www.vivo-us.com/products/cart-v10lb



! CAUTION! !

If you do not understand these directions, or if you have any doubts about the safety of the installation, please contact our product support team at 309-278-5303 or help@vivo-us.com for further assistance. Check carefully to make sure there are no missing or defective parts. Improper installation may cause damage or serious injury. Do not use this product for any purpose that is not explicitly specified in this manual. Do not exceed weight capacity. We cannot be liable for damage or injury caused by improper mounting, incorrect assembly or inappropriate use.



WARNING: CHOKING HAZARD

SMALL PARTS - NOT FOR CHILDREN UNDER 3 YEARS. ADULT SUPERVISION IS REQUIRED.



DO NOT EXCEED WEIGHT CAPACITY

FAILURE TO DO SO MAY RESULT IN SERIOUS INJURY.

We're Here for You

Open **Monday - Friday 7:00am - 7:00pm CST**, our dedicated support team can offer immediate assistance with rapid response times. If any parts are received damaged or defective, please contact us. We are happy to replace parts to ensure you have a fully functioning product.



Give us a Call:
309-278-5303

AVG. RESOLUTION TIME (*within office hrs*): **5M 4S**



Chat Us:
www.vivo-us.com

AVG. RESOLUTION TIME (*within office hrs*): **< 15 M**

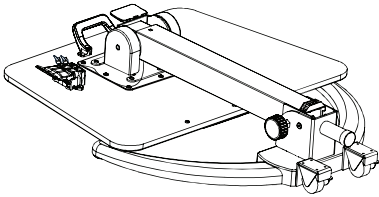


Email Us:
help@vivo-us.com

AVG. RESPONSE TIME (*within office hrs*): **1HR 8M**

- 23% within < 15m
- 38% within < 30m
- 61% within < 1hr
- 83% within < 2hr
- 92% within < 3hr

Package Contents



A (x1)
Desk

Tools Needed:



Scissors

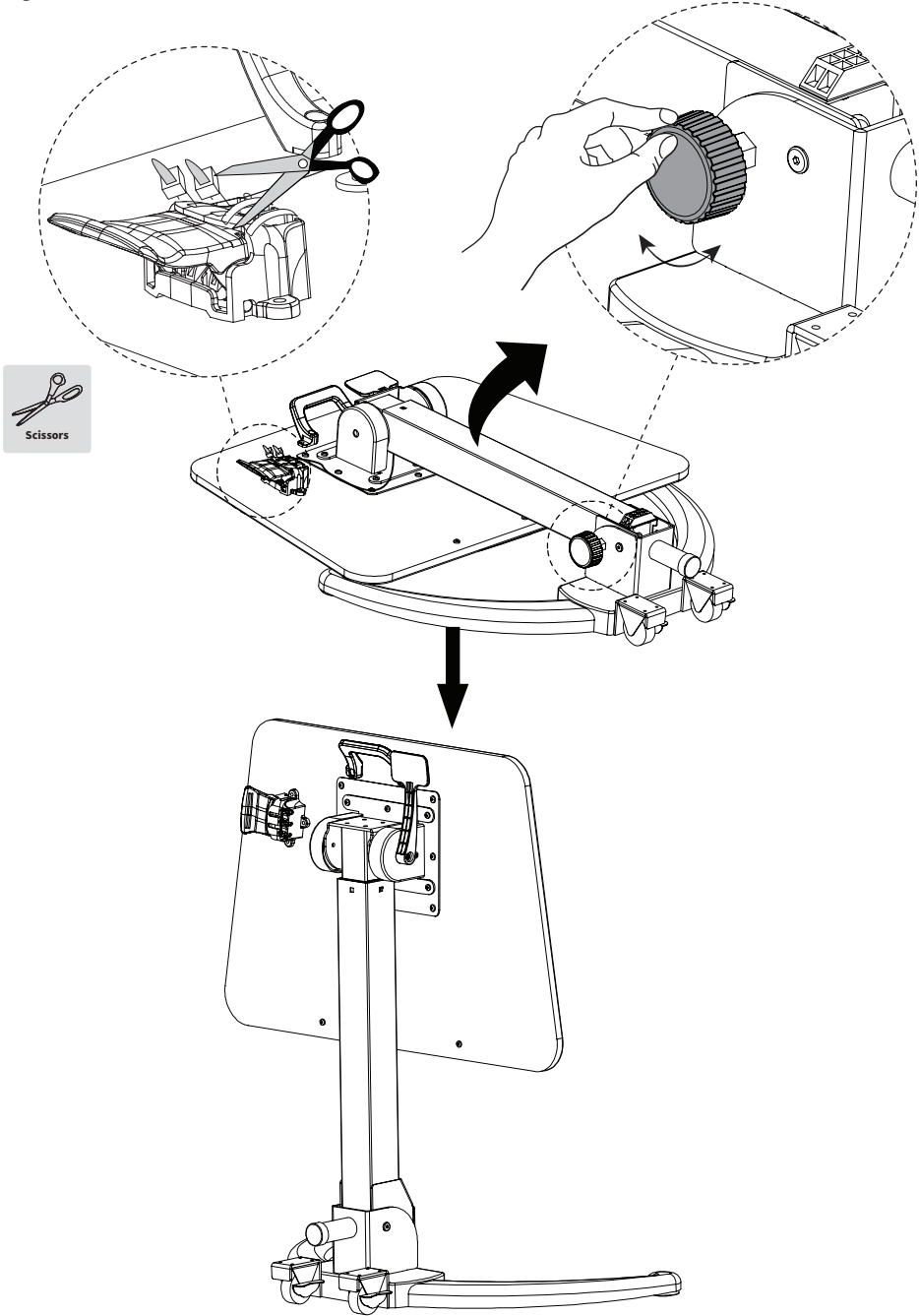
Weight Capacity:



ASSEMBLY STEPS

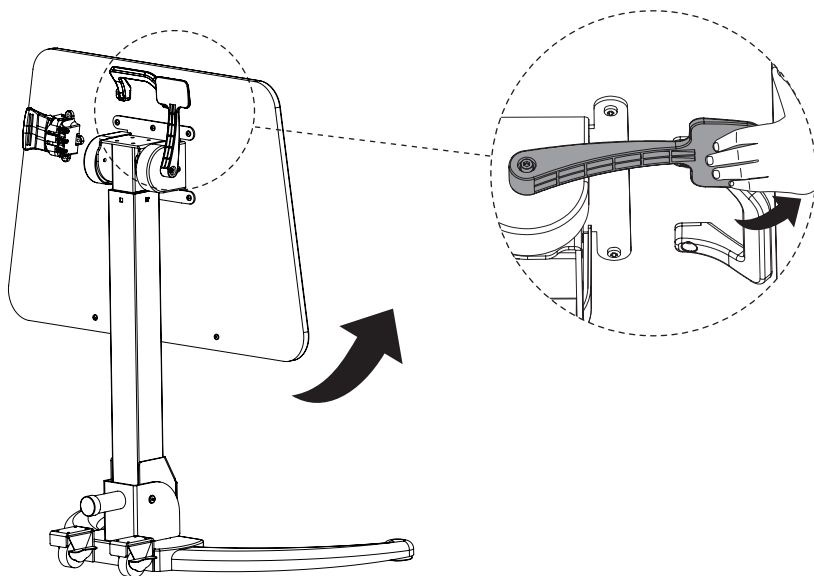
STEP 1

Cut the shipping tie off of the height adjustment handle. Loosen the knob near the base of the height adjustment column and rotate the column 90 degrees to where it is positioned vertical. Tighten the knob to secure.



STEP 2

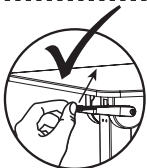
Press the tilt handle towards the desktop to rotate the desk.



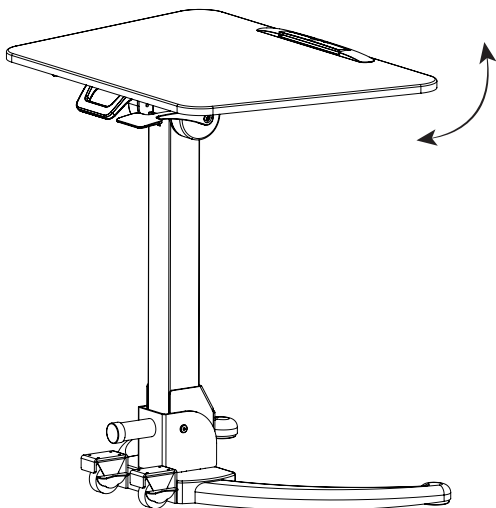
WARNING



**DO NOT PRESS THE
HANDLE DOWN**

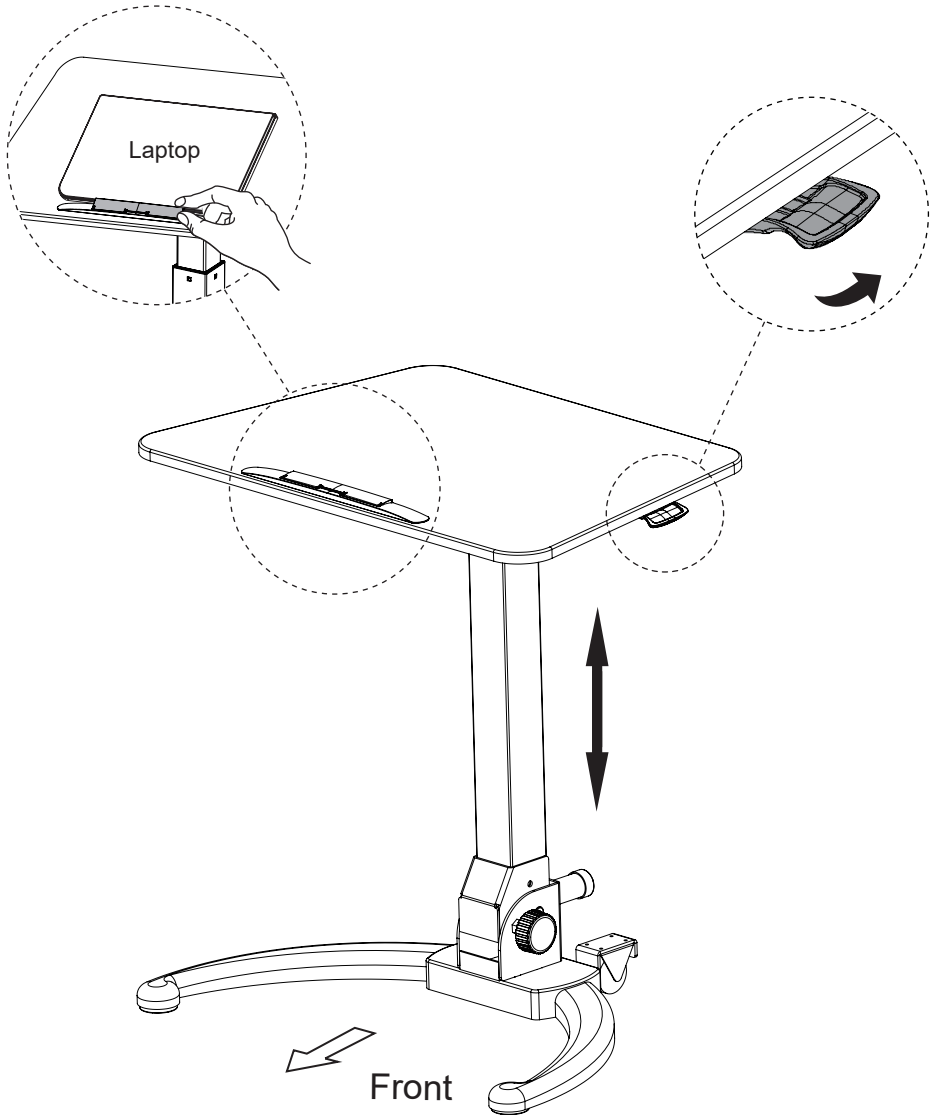


**PLEASE ADJUST THE
HANDLE UPWARDS
DURING USE**



STEP 3

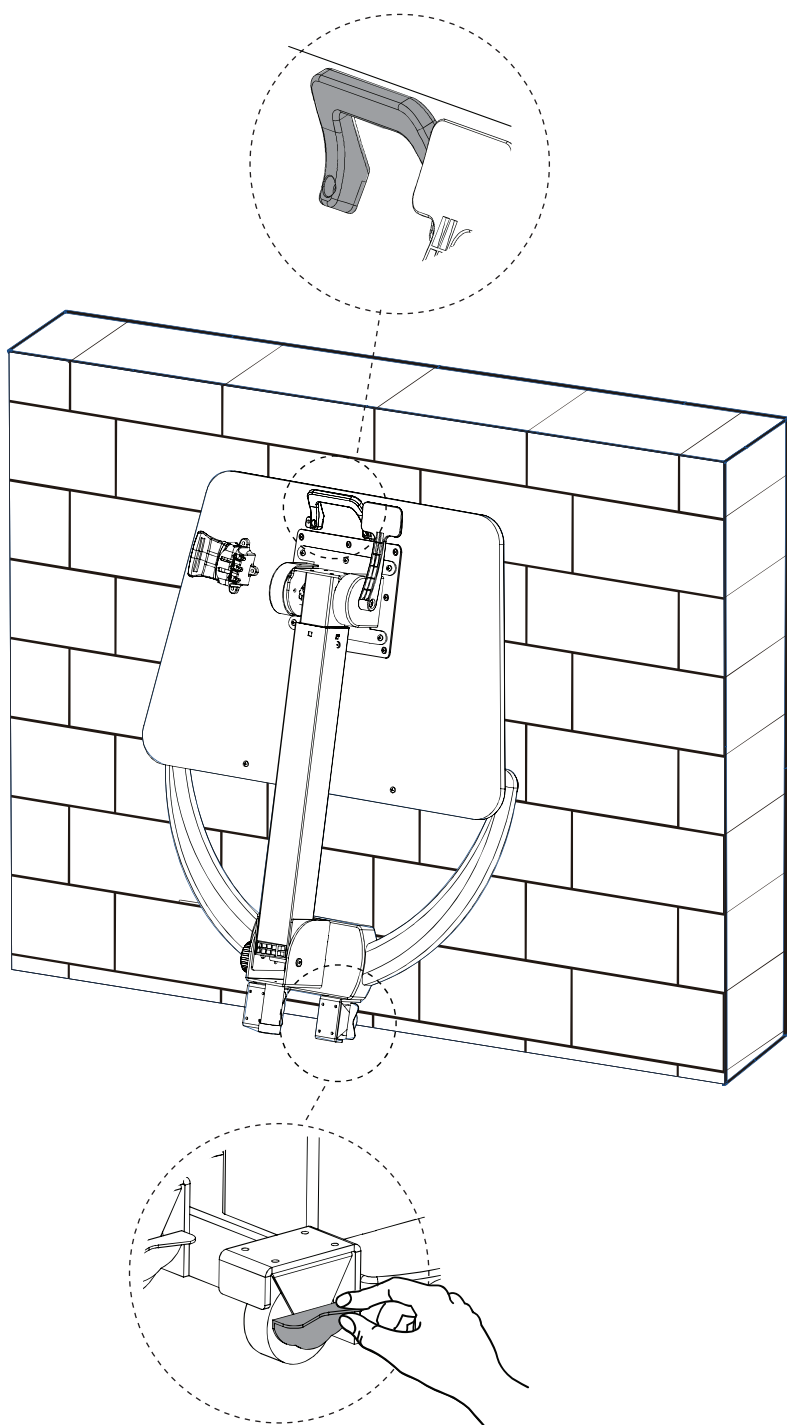
Flip up the laptop holder to secure your device when using the desktop at an angle. Press and hold the height adjustment lever to adjust the height of the desk.



Warning: When the ground is uneven and you feel the table is shaking, please adjust the wheels to make it flat.

STEP 4

Use the centralized handle under the desktop to help move the desk. Lock and unlock the casters using the lever located directly on the casters.





Need Help? Get In Touch

Monday-Friday from 7:00am-7:00pm CST



help@vivo-us.com



www.vivo-us.com

Chat live with an agent!



309-278-5303



VIVO-us



@vivo_us