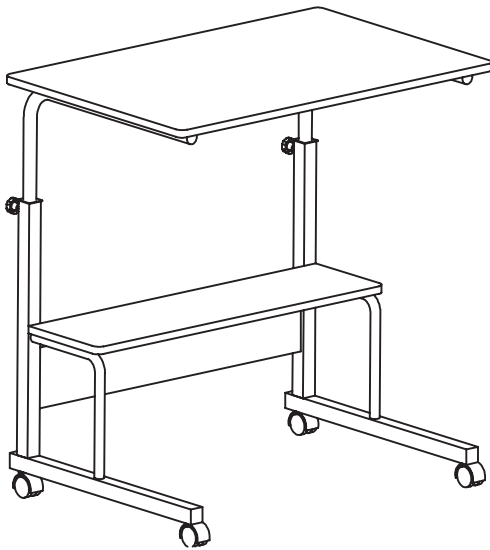




---

## Mobile Computer Workstation

### Instruction Manual



**SKU: CART-V08D**



Scan the QR code with your mobile device or follow the link for helpful videos and specifications related to this product.

<https://vivo-us.com/products/cart-v08d>

---

**GET IN TOUCH** | Monday-Friday from 7:00am-7:00pm CST



help@vivo-us.com



www.vivo-us.com  
*Chat live with an agent!*



309-278-5303

# **WARNING!**

If you do not understand these directions, or if you have any doubts about the safety of the installation, please call a qualified technician. Check carefully to make sure there are no missing or defective parts. Improper installation may cause damage or serious injury. Do not use this product for any purpose that is not explicitly specified in this manual. Do not exceed weight capacity. We cannot be liable for damage or injury caused by improper mounting, incorrect assembly or inappropriate use.

## **TIPOVER WARNING**

SERIOUS OR FATAL CRUSHING INJURIES CAN OCCUR FROM TIPOVER. TO HELP PREVENT TIPOVER:

- NEVER ALLOW CHILDREN TO CLIMB, STAND, HANG, OR PLAY ON ANY PART OF CART.
- USE TIPOVER RESTRAINT OR ANCHOR CART TO WALL

**USE OF TIPOVER RESTRAINTS MAY ONLY REDUCE, BUT NOT ELIMINATE RISK OF TIPOVER.**

## **WARNING: CHOKING HAZARD**

SMALL PARTS - NOT FOR CHILDREN UNDER 3 YEARS. ADULT SUPERVISION IS REQUIRED.

### PACKAGE CONTENTS



**A (x4)**  
M6x32mm  
Screw



**B (x4)**  
M6x45mm  
Screw



**C (x4)**  
Caster



**D (x2)**  
Knob



**E (x1)**  
4mm Allen  
Wrench



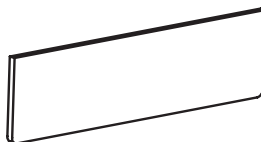
**F (x1)**  
Wrench



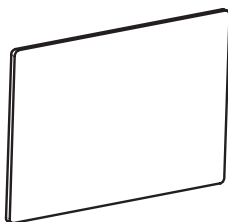
**G (x4)**  
M6x28mm  
Screw



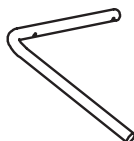
**1 (x1)**  
Rear Panel



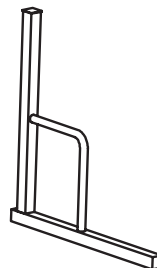
**2 (x1)**  
Shelf



**3 (x1)**  
Desktop



**4 (x2)**  
Desktop  
Support



**5 (x2)**  
Frame

**DO NOT EXCEED WEIGHT CAPACITY.**

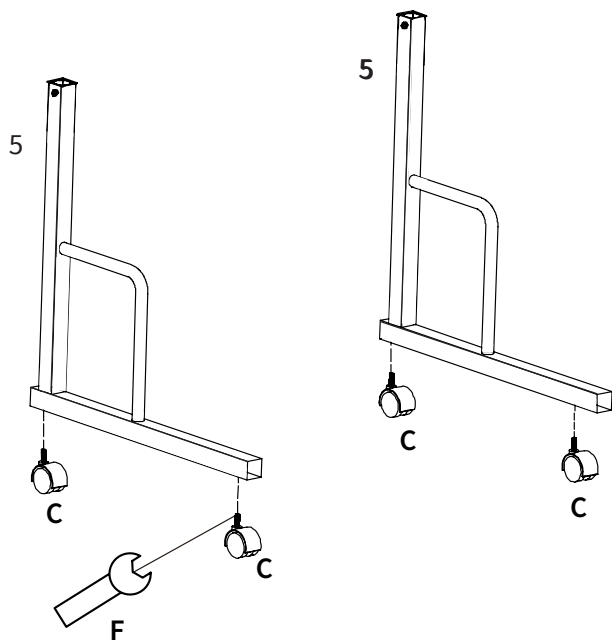
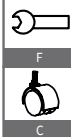
Failure to do so may result in serious injury.



# ASSEMBLY STEPS

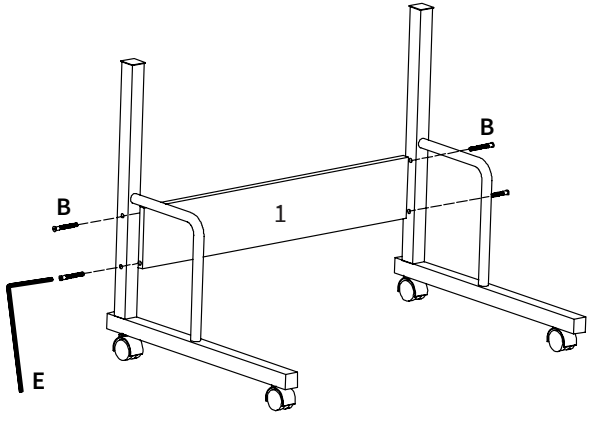
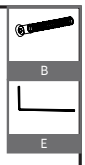
## STEP 1

Screw the casters (**C**) into the frames (**5**) using the wrench (**F**).



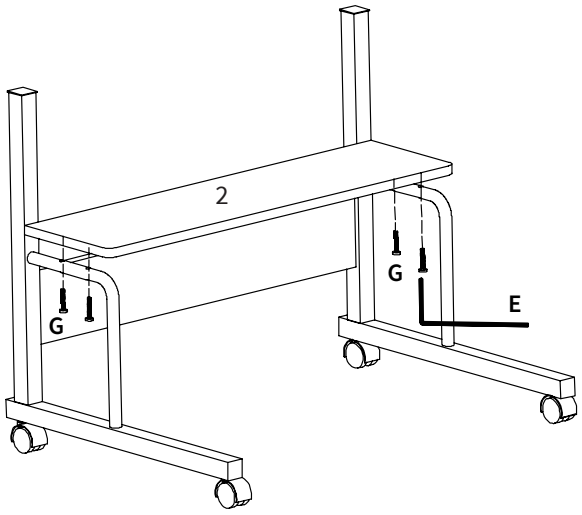
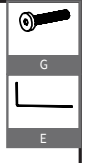
## STEP 2

Mount the rear panel (1) to the frames (5) using M6x45mm screws (B), and tighten with the 4mm Allen wrench (E).



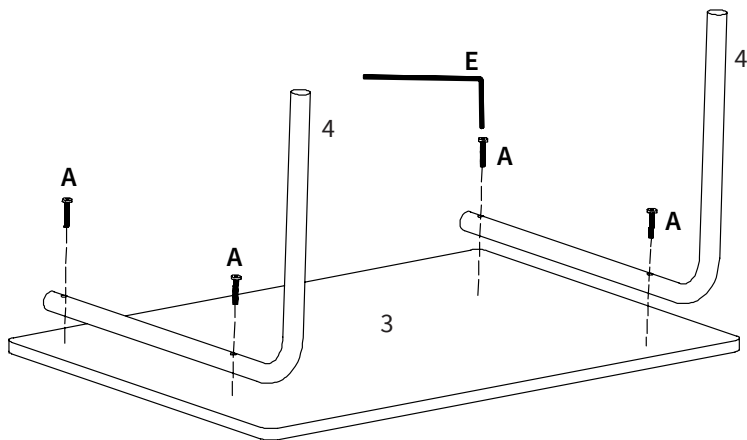
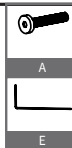
## STEP 3

Mount the shelf (2) to the frames (5) using M6x28mm screws (G), and tighten with the 4mm Allen wrench (E).



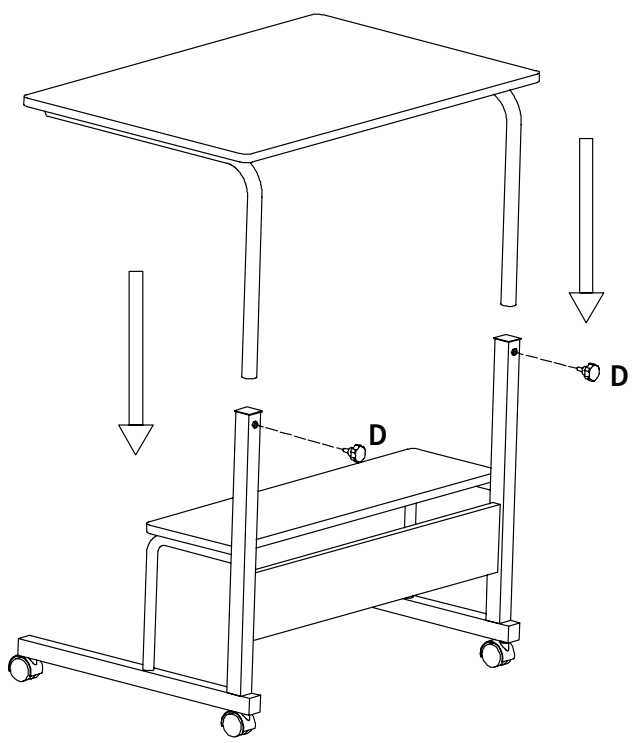
## STEP 4

Mount the desktop supports (**4**) to the desktop (**3**) using M6x32mm screws (**A**), and tighten with the 4mm Allen wrench (**E**).



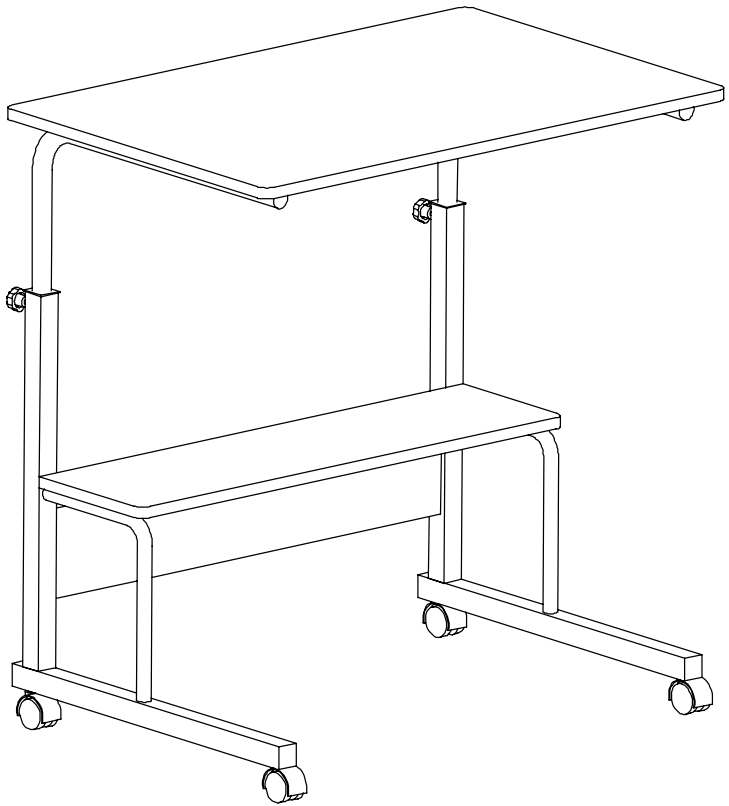
# STEP 5

Slide the desktop supports (4) down into the frames (5) and secure with the knobs (D).



## STEP 6

To adjust desktop height, loosen the knobs **(D)**, slide the desktop up or down, then retighten the knobs.





Open **Monday - Friday 7:00am - 7:00pm** CST,  
our dedicated support team can offer immediate assistance with rapid response times. If any parts are received damaged or defective, please contact us. We are happy to replace parts to ensure you have a fully functioning product.



309-278-5303

**AVG. RESOLUTION TIME** (*within office hrs*): **5M 4S**



[www.vivo-us.com](http://www.vivo-us.com)  
*Chat live with an agent!*

**AVG. RESOLUTION TIME** (*within office hrs*): **< 15 M**



[help@vivo-us.com](mailto:help@vivo-us.com)

**AVG. RESPONSE TIME** (*within office hrs*): **1HR 8M**

- 23% within < 15m
- 38% within < 30m
- 61% within < 1hr
- 83% within < 2hr
- 92% within < 3hr