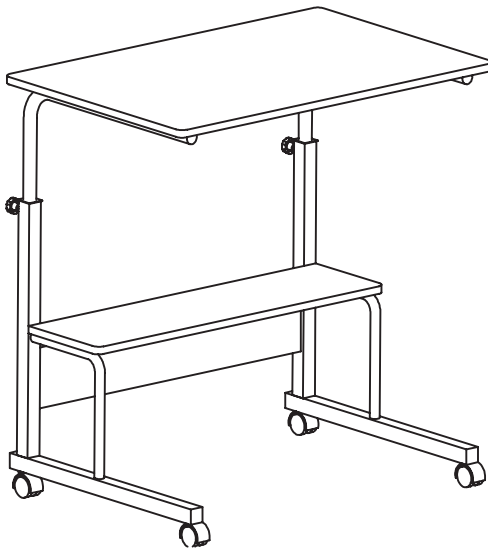


Mobile Computer Workstation

Instruction Manual



SKU: CART-V08D



Scan the QR code with your mobile device or follow the link for helpful videos and specifications related to this product.

<https://vivo-us.com/products/cart-v08d>

GET IN TOUCH | Monday-Friday from 7:00am-7:00pm CST



help@vivo-us.com



www.vivo-us.com
Chat live with an agent!



309-278-5303

WARNING!

If you do not understand these directions, or if you have any doubts about the safety of the installation, please call a qualified technician. Check carefully to make sure there are no missing or defective parts. Improper installation may cause damage or serious injury. Do not use this product for any purpose that is not explicitly specified in this manual. Do not exceed weight capacity. We cannot be liable for damage or injury caused by improper mounting, incorrect assembly or inappropriate use.

TIPOVER WARNING

SERIOUS OR FATAL CRUSHING INJURIES CAN OCCUR FROM TIPOVER. TO HELP PREVENT TIPOVER:

- NEVER ALLOW CHILDREN TO CLIMB, STAND, HANG, OR PLAY ON ANY PART OF CART.
- USE TIPOVER RESTRAINT OR ANCHOR CART TO WALL

USE OF TIPOVER RESTRAINTS MAY ONLY REDUCE, BUT NOT ELIMINATE RISK OF TIPOVER.

WARNING: CHOKING HAZARD

SMALL PARTS - NOT FOR CHILDREN UNDER 3 YEARS. ADULT SUPERVISION IS REQUIRED.

PACKAGE CONTENTS



A (x4)
M6x35



B (x4)
M6x45



C (x4)
Caster



D (x2)
Knob



E (x1)
4mm Allen
Wrench



F (x1)
Wrench



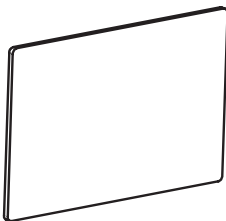
G (x4)
M6x30



1 (x1)
Rear Panel



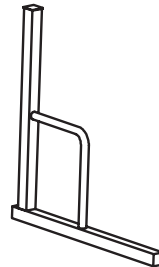
2 (x1)
Shelf



3 (x1)
Desktop



4 (x2)
Desktop
Support



5 (x2)
Frame

DO NOT EXCEED WEIGHT CAPACITY.

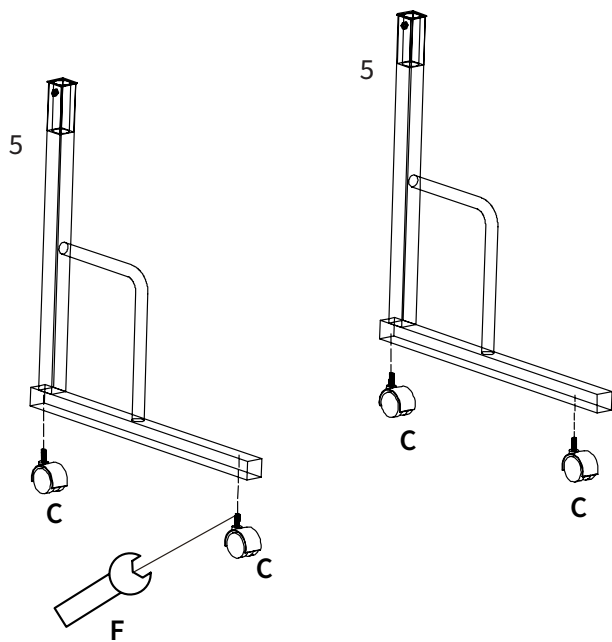
Failure to do so may result in serious injury.



ASSEMBLY STEPS

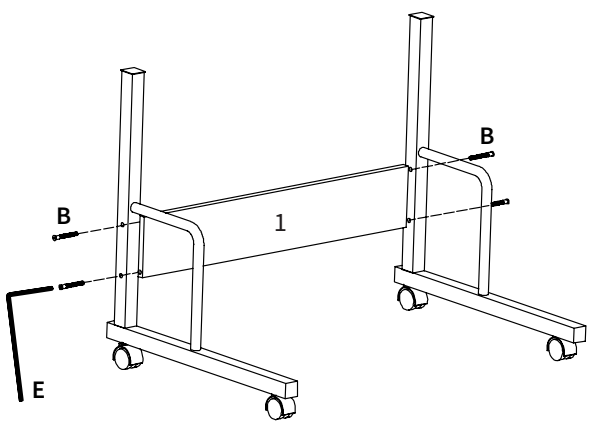
STEP 1

Screw the casters (**C**) into the frames (**5**) using the wrench (**F**).



STEP 2

Mount the rear panel (1) to the frames (5) using M6x45mm bolts (B), and tighten with the 4mm Allen wrench (E).



The diagram illustrates the assembly of the rear panel (1) onto the frame (5). The frame consists of two vertical posts and a base with four casters. The rear panel (1) is a long, thin rectangular piece. Two bolts (B) are shown being inserted through the panel into the frame's vertical posts. A 4mm Allen wrench (E) is shown at the bottom left, indicating the tool used to tighten the bolts.

B

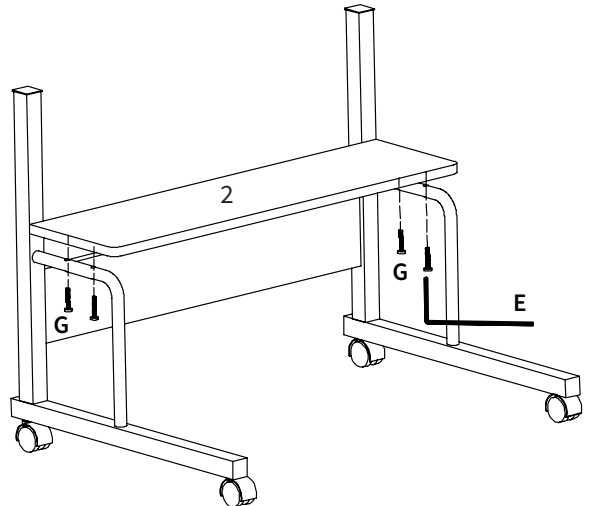
E

1

5

STEP 3

Mount the shelf (2) to the frames (5) using M6x30mm bolts (G), and tighten with the 4mm Allen wrench (E).



The diagram illustrates the assembly of the shelf (2) onto the frame (5). The shelf (2) is a wide, flat rectangular piece. Two bolts (G) are shown being inserted through the shelf into the frame's vertical posts. A 4mm Allen wrench (E) is shown at the bottom right, indicating the tool used to tighten the bolts.

G

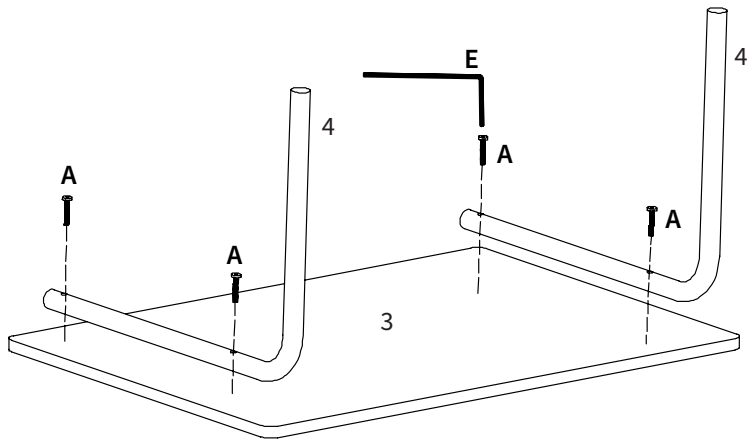
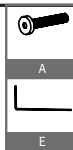
E

2

5

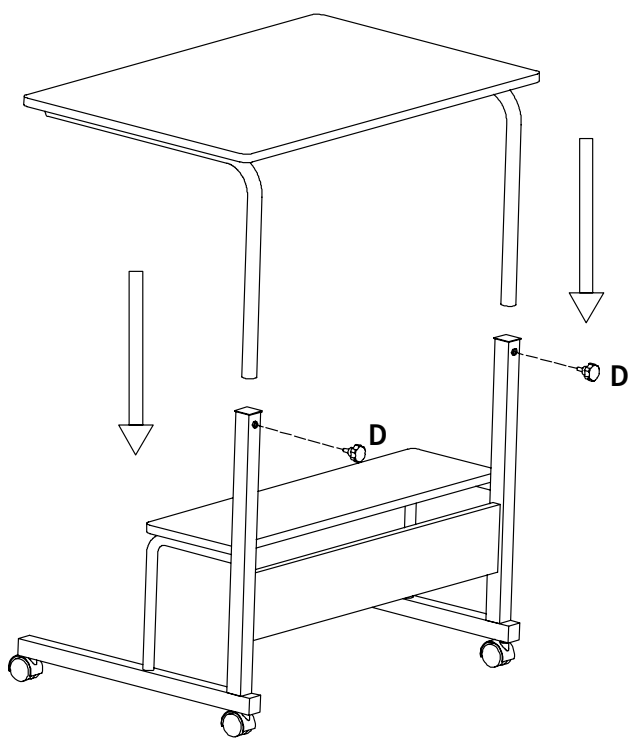
STEP 4

Mount the desktop supports (**4**) to the desktop (**3**) using M6x35mm bolts (**A**), and tighten with the 4mm Allen wrench (**E**).



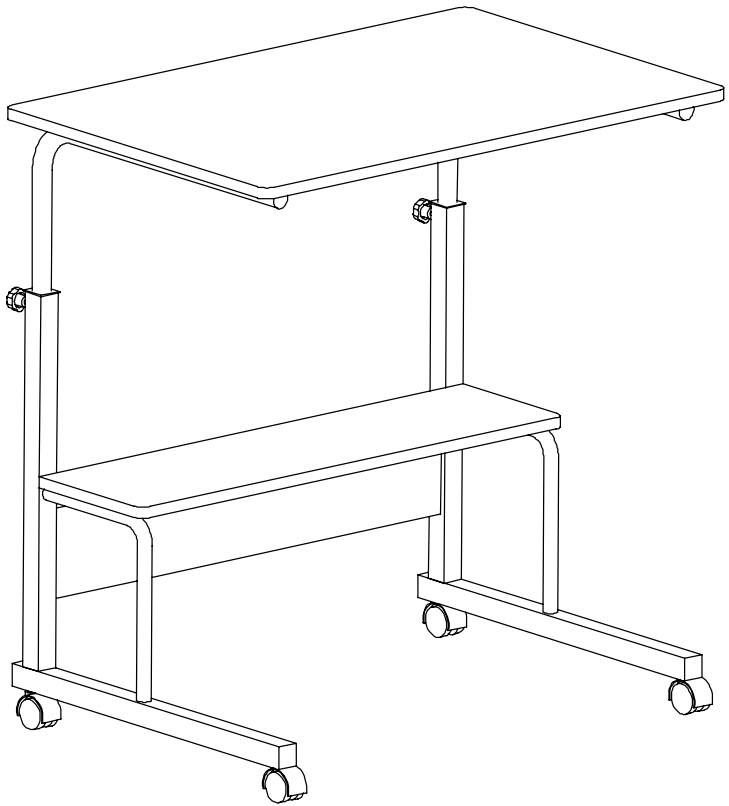
STEP 5

Slide the desktop supports (4) down into the frames (5) and secure with the knobs (D).



STEP 6

To adjust desktop height, loosen the knobs **(D)**, slide the desktop up or down, then retighten the knobs.





Open **Monday - Friday 7:00am - 7:00pm** CST,
our dedicated support team can offer immediate assistance with rapid response times. If any parts are received damaged or defective, please contact us. We are happy to replace parts to ensure you have a fully functioning product.


 help@vivo-us.com

AVG. RESPONSE TIME (*within office hrs*): **1HR 8M**

- 23% within < 15m
- 38% within < 30m
- 61% within < 1hr
- 83% within < 2hr
- 92% within < 3hr

 www.vivo-us.com
Chat live with an agent!

AVG. RESOLUTION TIME (*within office hrs*): **< 15 M**

 309-278-5303

AVG. RESOLUTION TIME (*within office hrs*): **5M 4S**