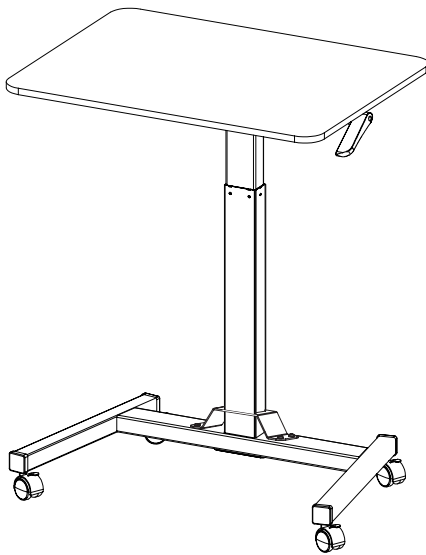




---

## Black 32" Mobile Presentation Cart

### Instruction Manual



**SKU: CART-V07B**



Scan the QR code with your mobile device or follow the link for helpful videos and specifications related to this product.

<https://vivo-us.com/products/cart-v07b>

---

**GET IN TOUCH** | Monday-Friday from 7:00am-7:00pm CST



help@vivo-us.com



www.vivo-us.com  
*Chat live with an agent!*



309-278-5303

# **WARNING!**

If you do not understand these directions, or if you have any doubts about the safety of the installation, please call a qualified technician. Check carefully to make sure there are no missing or defective parts. Improper installation may cause damage or serious injury. Do not use this product for any purpose that is not explicitly specified in this manual. Do not exceed weight capacity. We cannot be liable for damage or injury caused by improper mounting, incorrect assembly or inappropriate use.

## **TIPOVER WARNING**

SERIOUS OR FATAL CRUSHING INJURIES CAN OCCUR FROM TIPOVER. TO HELP PREVENT TIPOVER:

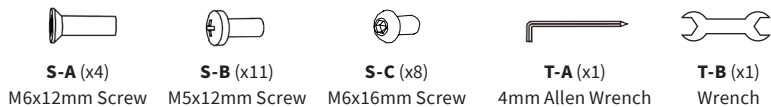
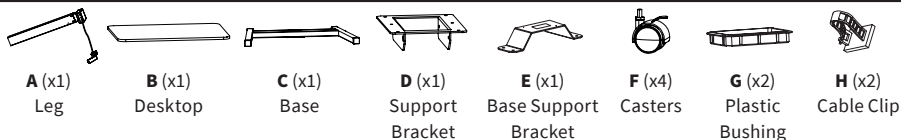
- NEVER ALLOW CHILDREN TO CLIMB, STAND, HANG, OR PLAY ON ANY PART OF CART.
- USE TIPOVER RESTRAINT OR ANCHOR CART TO WALL

**USE OF TIPOVER RESTRAINTS MAY ONLY REDUCE, BUT NOT ELIMINATE RISK OF TIPOVER.**

## **WARNING: CHOKING HAZARD**

SMALL PARTS - NOT FOR CHILDREN UNDER 3 YEARS. ADULT SUPERVISION IS REQUIRED.

## PACKAGE CONTENTS



DO NOT EXCEED WEIGHT CAPACITY.

Failure to do so may result in serious injury.

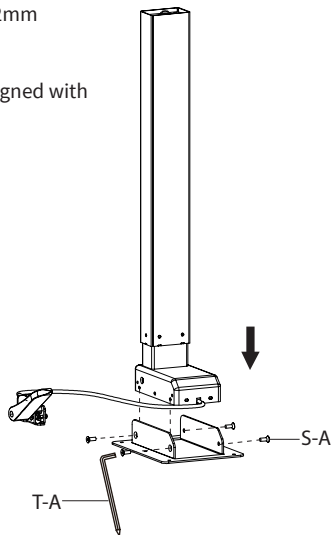
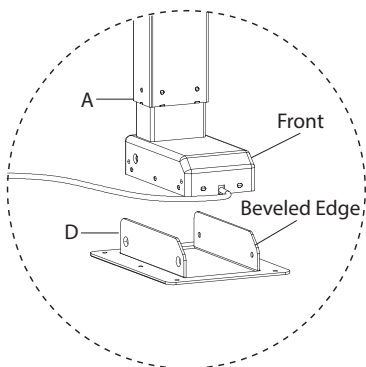


## ASSEMBLY STEPS

### STEP 1

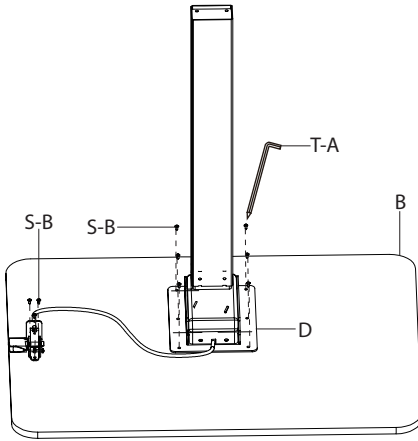
Assemble the Support Bracket (**D**) to the leg (**A**) using M6x12mm Screws (**S-A**) and tighten with 4mm Allen Wrench (**T-A**).

**Note:** The beveled edge of the support bracket should be aligned with the front of the leg.



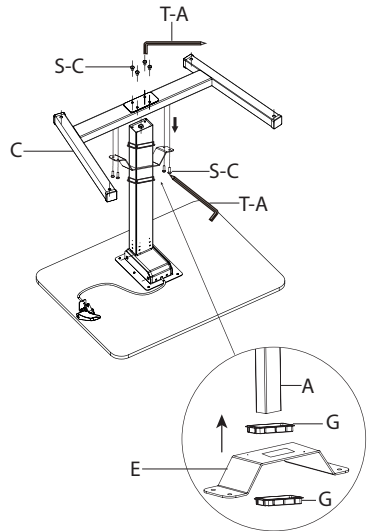
## STEP 2

Place Desktop (B) upside down on a flat surface. Assemble Support Bracket (D) to Desktop (B) using M5x12mm Screws (S-B) and tighten with the Phillips end of 4mm Allen Wrench (T-A). Mount the handle to Desktop (B) using M5x12mm Screws (S-B).



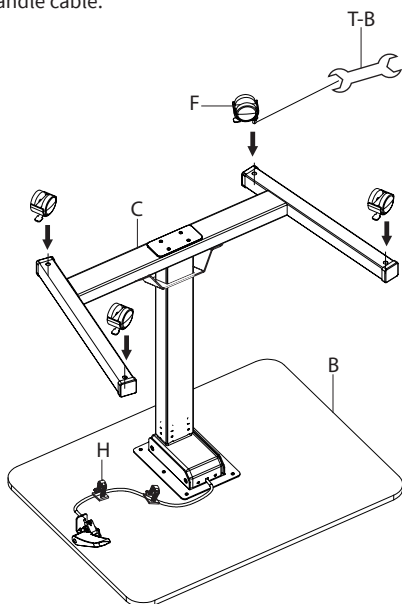
## STEP 3

Install the Base Support Bracket (E) to the top of Base (C) with M6x16mm Screws (S-C). Press Plastic Bushings (G) into the openings in Base (C) and Base Support Bracket (E). Assemble Base (C) to Leg (A) using M6x16mm Screws (S-C), then tighten all screws with 4mm Allen wrench (T-A).



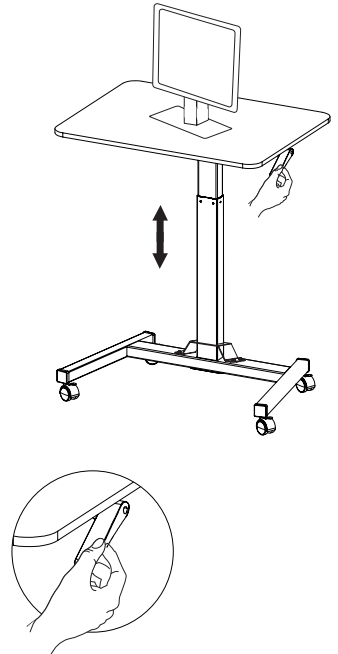
## STEP 4

Screw the Casters (F) into Base (C), and tighten using Wrench (T-B). Install Cable Clips (H) to the underside of Desktop (B) to secure the handle cable.



## STEP 5

Carefully turn the assembled cart right side up. Lift the handle to raise and lower the desktop.





Open **Monday - Friday 7:00am - 7:00pm** CST,  
our dedicated support team can offer immediate assistance with rapid response times. If any parts are received damaged or defective, please contact us. We are happy to replace parts to ensure you have a fully functioning product.



309-278-5303

**AVG. RESOLUTION TIME** (*within office hrs*): **5M 4S**

---



[www.vivo-us.com](http://www.vivo-us.com)  
*Chat live with an agent!*

**AVG. RESOLUTION TIME** (*within office hrs*): **< 15 M**

---



[help@vivo-us.com](mailto:help@vivo-us.com)

**AVG. RESPONSE TIME** (*within office hrs*): **1HR 8M**

- 23% within < 15m
- 38% within < 30m
- 61% within < 1hr
- 83% within < 2hr
- 92% within < 3hr