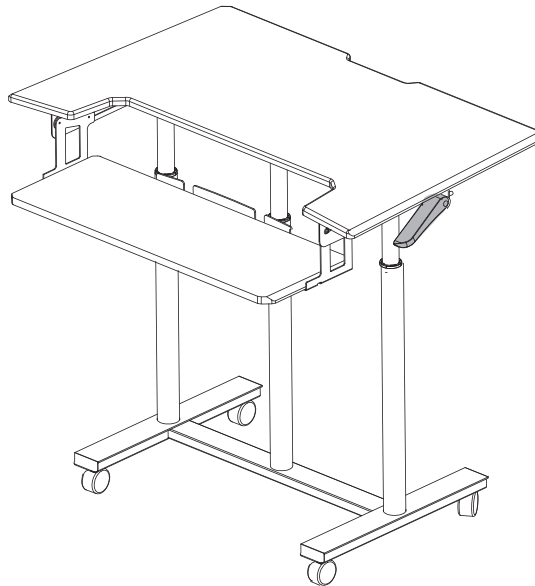


---

## Black Mobile Computer Workstation

**SKU: CART-V06A**

Instruction Manual



**ASSEMBLY VIDEO AVAILABLE:**

Follow along step-by-step with our video walk through by scanning the QR code with your mobile device or by following the product link: [vivo-us.com/products/cart-v06a](https://vivo-us.com/products/cart-v06a)

# Contact Us First!

***DO NOT RETURN ITEM***

Our friendly product support team is here to help!



PERSONABLE CUSTOMER SUPPORT

**7AM - 7PM**

Monday-Friday



Give us a Call:  
**309-278-5303**



Chat Us:  
**[www.vivo-us.com](http://www.vivo-us.com)**



Email Us:  
**[help@vivo-us.com](mailto:help@vivo-us.com)**

---

## We're Here for You!

Our customer-minded support team is here for YOU,

**Monday-Friday 7am-7pm CST.**

We offer immediate assistance with rapid response times from customer service agents and product technicians to help you every step of the way!



## Missing a Part?

If any parts are received damaged / defective OR you are missing a part, please reach out to us ***within 30 days of product delivery to have it replaced at no cost.***

We are happy to replace parts to ensure you have a fully functioning product

## PRE-ASSEMBLY | BEFORE YOU BEGIN



If you do not understand these directions, or if you have any doubts about the safety of the installation, please call a qualified technician. Check carefully to make sure there are no missing or defective parts. Improper installation may cause damage or serious injury. Do not use this product for any purpose that is not explicitly specified in this manual. Do not exceed weight capacity. We cannot be liable for damage or injury caused by improper mounting, incorrect assembly or inappropriate use.

### **WARNING: CHOKING HAZARD**

SMALL PARTS - NOT FOR CHILDREN UNDER 3 YEARS. ADULT SUPERVISION IS REQUIRED.

### **TIPOVER WARNING**

SERIOUS OR FATAL CRUSHING INJURIES CAN OCCUR FROM TIPOVER. TO HELP PREVENT TIPOVER:

- NEVER ALLOW CHILDREN TO CLIMB, STAND, HANG, OR PLAY ON ANY PART OF TV OR TV CART.
- USE TIPOVER RESTRAINT OR ANCHOR STAND TO WALL

**USE OF TIPOVER RESTRAINTS MAY ONLY REDUCE, BUT NOT ELIMINATE RISK OF TIPOVER.**

### **WEIGHT CAPACITY**

DO NOT EXCEED WEIGHT CAPACITY. Failure to do so may result in serious injury.



33lbs  
(15kg)

**DESKTOP**



4.4lbs  
(2kg)

**TRAY**



### **Product Warranty**

For the most up to date details on your product's warranty, please visit the product's listing on our website or reach out to customer support.

[vivo-us.com/products/cart-v06a](https://vivo-us.com/products/cart-v06a)



### **Returns | Product Didn't Work Out?**

We offer a hassle-free 30 day return on all products. Contact customer support at 309-278-5303 or [help@vivo-us.com](mailto:help@vivo-us.com). Please note: For items ordered in error or no longer needed, the return shipping charges will be at the buyer's expense.

**TOOLS NEEDED:**



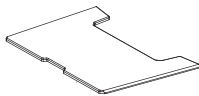
Phillips Screwdriver

**DIFFICULTY LEVEL**



**PACKAGE CONTENTS**

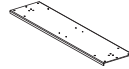
Please consult the parts list below and ensure you have everything you need to assemble your product. If parts are missing or damaged, please contact us.



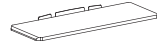
**A (x1)**  
Desktop



**B (x2)**  
Shelf Bracket



**C (x1)**  
Support  
Plate



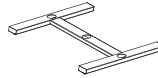
**D (x1)**  
Keyboard  
Shelf



**E (x2)**  
Telescopic  
Pole



**F (x1)**  
Telescopic Pole  
with Release  
Lever



**G (x1)**  
Base



**H (x4)**  
Locking  
Caster



**S-A (x19)**  
M5x12mm Screw



**S-B (x4)**  
M5x20mm Screw



**S-C (x9)**  
M6x12mm Screw



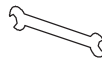
**S-D (x6)**  
M6x15mm Screw



**S-E (x6)**  
M5x12mm  
Flathead Screw



**T-A (x1)**  
4mm Allen  
Wrench



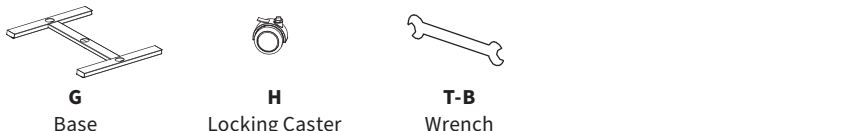
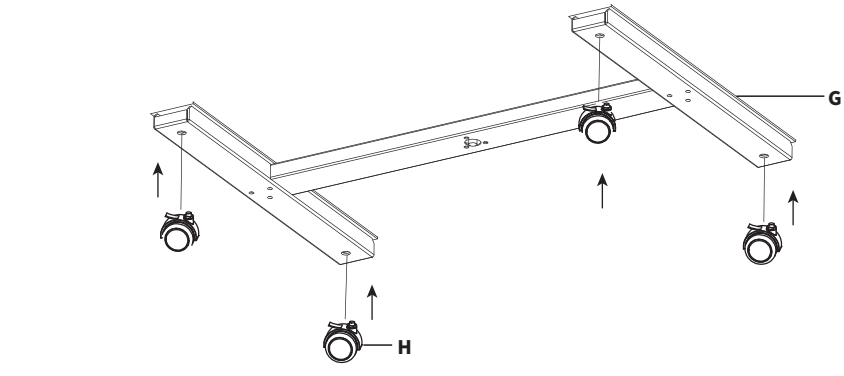
**T-B (x1)**  
Wrench

**NOTE:** SOME HARDWARE INCLUDED MAY NOT BE USED

# ASSEMBLY STEPS

## STEP 1: Install Casters

Screw Locking Casters (**H**) into the Base (**F**) and tighten with the Wrench (**T-B**).



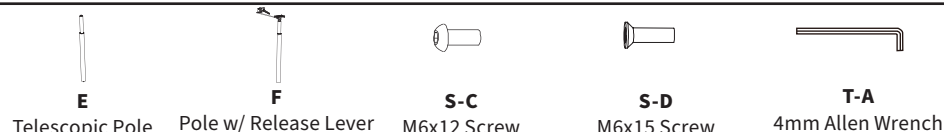
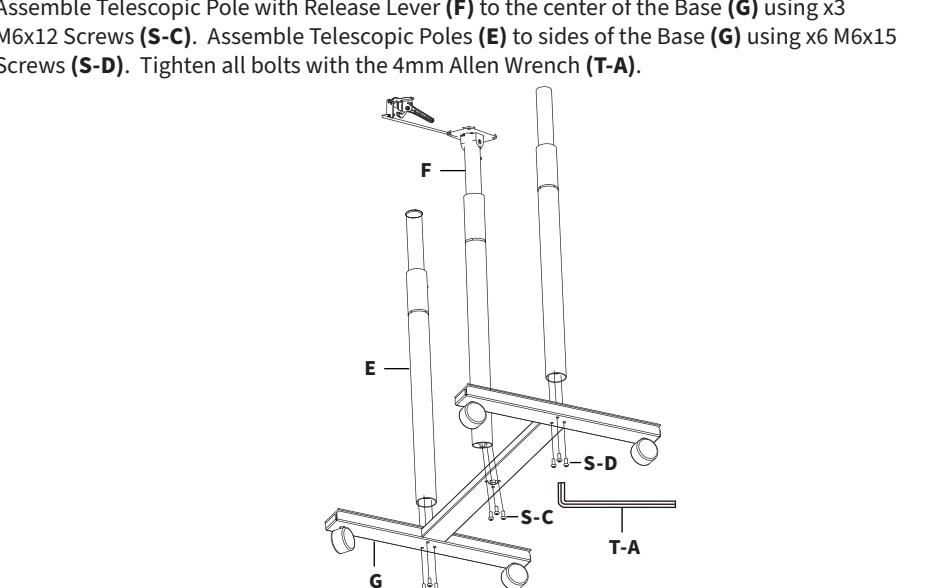
**G**  
Base

**H**  
Locking Caster

**T-B**  
Wrench

## STEP 2: Install Poles

Assemble Telescopic Pole with Release Lever (**F**) to the center of the Base (**G**) using x3 M6x12 Screws (**S-C**). Assemble Telescopic Poles (**E**) to sides of the Base (**G**) using x6 M6x15 Screws (**S-D**). Tighten all bolts with the 4mm Allen Wrench (**T-A**).



**E**  
Telescopic Pole

**F**  
Pole w/ Release Lever

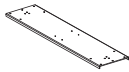
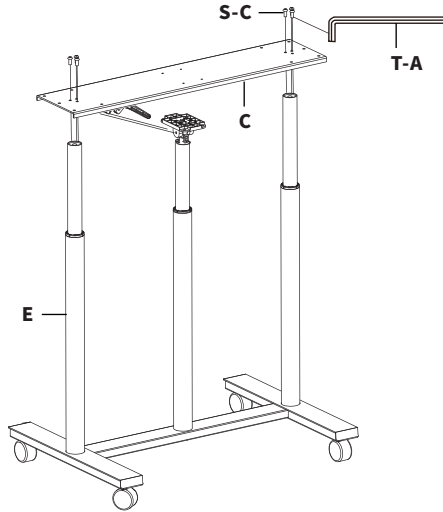
**S-C**  
M6x12 Screw

**S-D**  
M6x15 Screw

**T-A**  
4mm Allen Wrench

### STEP 3: Install Support Plate

Install Support Plate (C) to Poles (E) using x6 M6x12 Screws (S-C) and tighten with the 4mm Allen Wrench (T-A).



**C**  
Support Plate



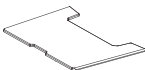
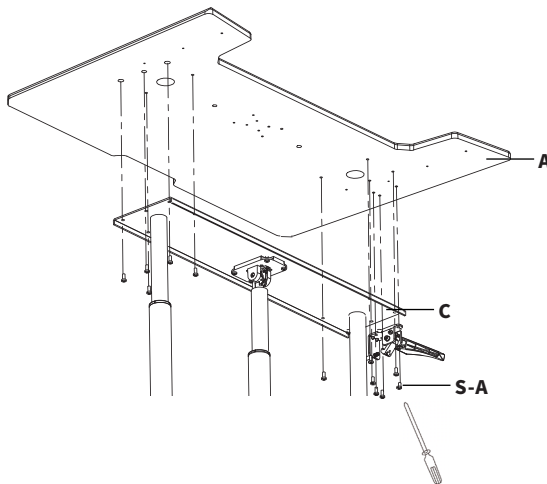
**S-C**  
M6x12 Screw



**T-A**  
4mm Allen Wrench

### STEP 4: Attach Desktop

Assemble Desktop (A) to Support Plate (C) using x10 M5x12 Screws (S-A). Secure release lever handle to Desktop (A) with x3 M5x12 Screws (S-A). Tighten with a Phillips screwdriver.



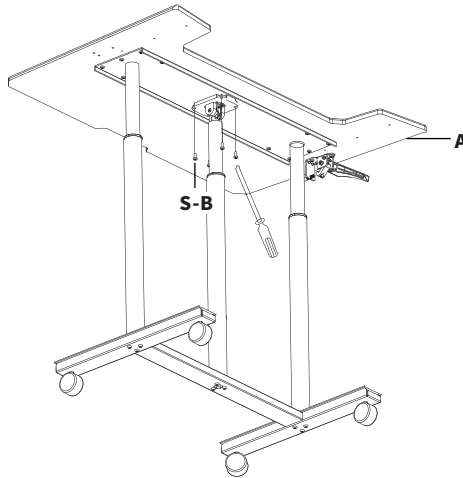
**A**  
Desktop



**S-A**  
M5x12 Screw

## STEP 5: Secure Desktop

Secure center pole to Desktop (**A**) with x4 M5x20 Screws (**S-B**) and tighten with a Phillips screwdriver.

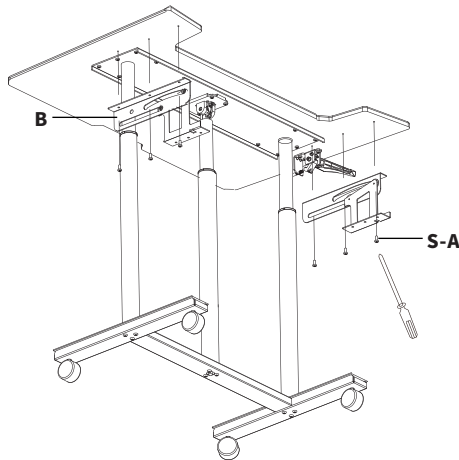


**S-B**

M5x20 Screw

## STEP 6: Place Items on Desk Riser

Install Keyboard Shelf Brackets (**B**) to Desktop using x6 M5x12 Screws (**S-A**), making sure the curved slots are facing towards the front. Tighten screws with a Phillips screwdriver.



**B**

Shelf Bracket

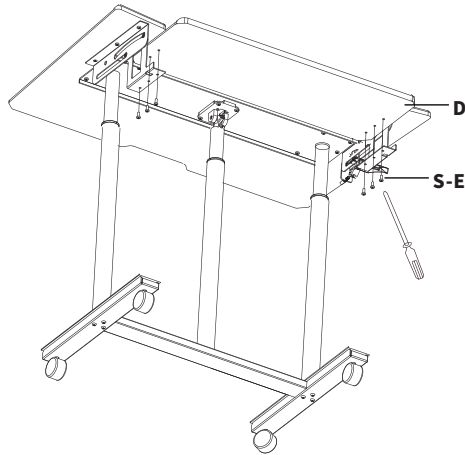


**S-A**

M5x12 Screw

## STEP 7: Install Keyboard Shelf

Mount Keyboard Shelf **(D)** to brackets with x6 M5x12 Flathead Screws **(S-E)** and tighten with a Phillips screwdriver.



**D**  
Keyboard Shelf



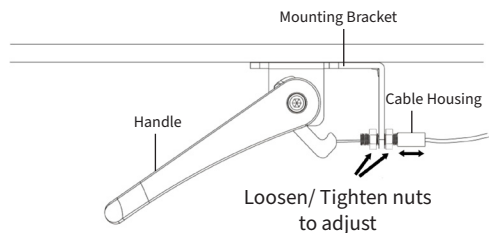
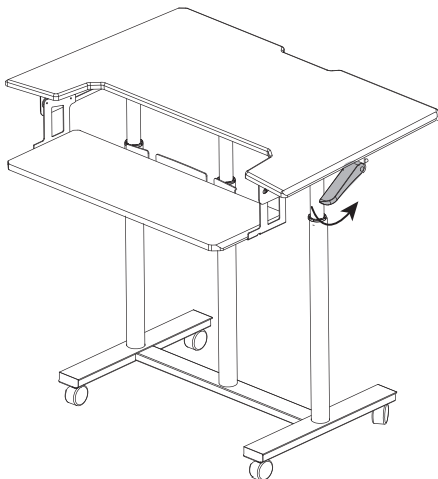
**S-E**  
M5x12 Flathead  
Screw

## STEP 8: Check Handle

Ensure the handle is correctly pulling on the release cable. If the desk will not lock, the cable tension is too high and will need to be decreased. If the desk will not raise or lower, the cable tension is too low and will need to be increased.

**Increase cable tension:** Loosen both nuts holding the cable housing to the mounting bracket, pull the cable housing away from the handle to increase the tension. Then re-tighten the two nuts.

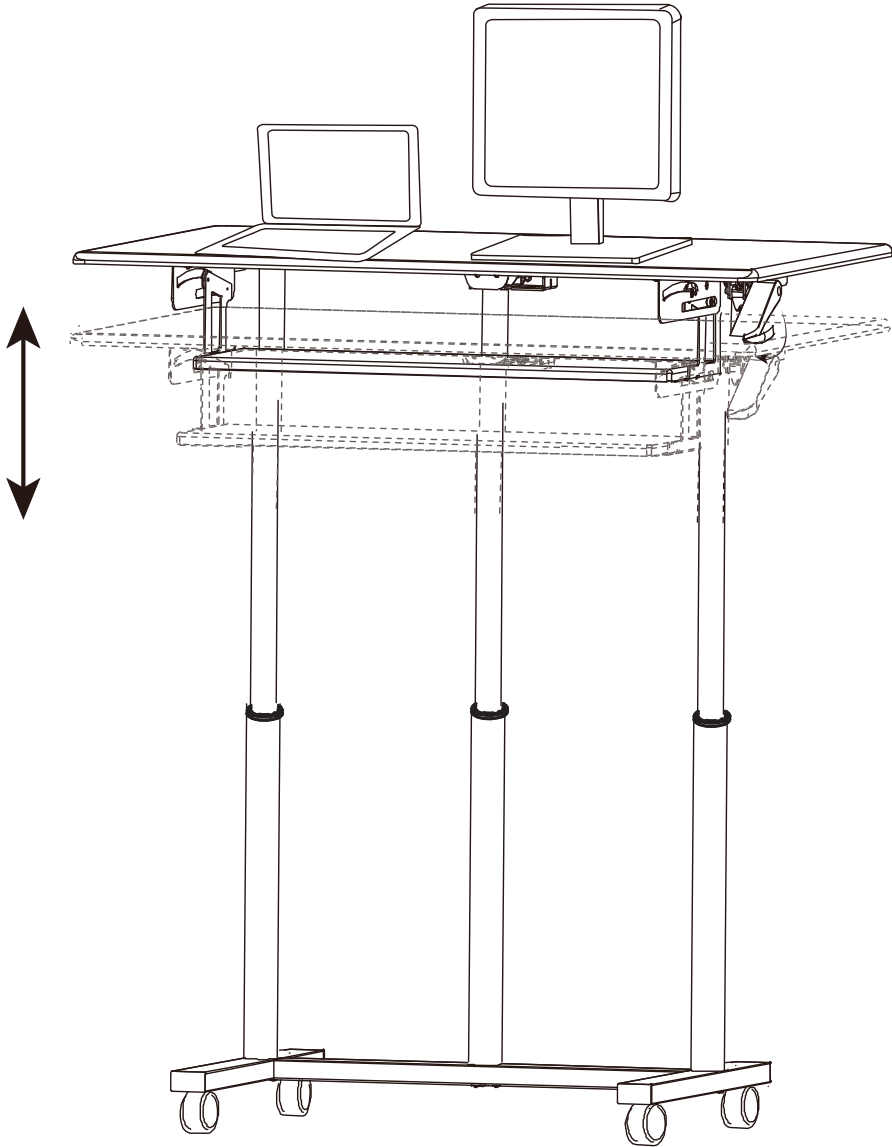
**Decrease cable tension:** Loosen both nuts holding the cable housing to the mounting bracket, push the cable housing towards the handle to decrease the tension. Then re-tighten the two nuts.





**STEP 9: Adjust Height**

To adjust height, lift the release lever handle and move the desktop up or down.

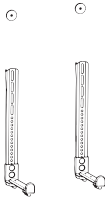


CHECK OUT OTHER GREAT PRODUCTS FROM



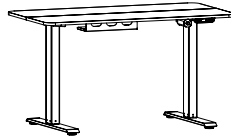
**EXPLORE MORE AT VIVO-US.COM**

*We offer a wide array of home & office products to fit your needs. From height adjustable desks to monitor mounts to keyboard trays and more!*



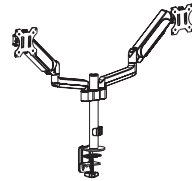
#### **SPEAKER MOUNTS & STANDS**

Whether you're mounting a soundbar or surround sound system, we've got a mounting solution to fit your needs.



#### **HEIGHT ADJUSTABLE DESKS**

We offer electric & manual crank standing desks, corner frames, desk & top combos, and more!



#### **MONITOR MOUNTS**

From single monitor mounts to hex mount, grommet or clamp-ons, we've got a mounting solution for your setup.



### **WHO WE ARE**



VIVO is more than a brand of ergonomic office furniture. We are a team of creative and innovative individuals working together to offer high quality, affordable ergonomic solutions. We think and work outside of the box to serve you, our customer, to the best of our ability.



# Need Assistance?

We Would Love to Help!



## Personable Customer Support | **Mon-Fri 7am-7pm**

We offer immediate assistance with rapid response times from customer service agents and product technicians to help you every step of the way!



Call Us: **309-278-5303**

Average Resolution Time: **5m 4s**



Chat Us: **[www.vivo-us.com](http://www.vivo-us.com)**

Average Resolution Time: **< 15m**



Email Us: **[help@vivo-us.com](mailto:help@vivo-us.com)**

Average Resolution Time: **1HR 8M**

*23% within < 15m*

*38% within < 30m*

*61% within < 1hr*

*83% within < 2hr*

*92% within < 3hr*



**LOVE YOUR NEW VIVO SETUP?**

Ready to share that new amazing setup? Want to brag about that amazing new ergonomic solution?

Tag us in your photo!



**VIVO-us @vivo\_us**

FOR MORE GREAT VIVO PRODUCTS,  
CHECK OUT OUR WEBSITE AT: [WWW.VIVO-US.COM](http://WWW.VIVO-US.COM)