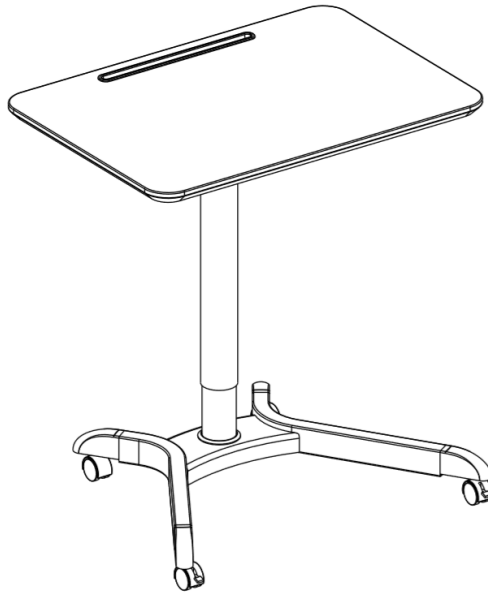


Height Adjustable Mobile Cart

Instruction Manual



SKU: CART-V000HW



Scan the QR code with your mobile device or follow the link for helpful videos and specifications related to this product.

<https://vivo-us.com/products/cart-v000hw>



help@vivo-us.com



www.vivo-us.com



1-800-371-5654

⚠ WARNING!

If you do not understand these directions, or if you have any doubts about the safety of the installation, please call a qualified technician. Check carefully to make sure there are no missing or defective parts. Improper installation may cause damage or serious injury. Do not use this product for any purpose that is not explicitly specified in this manual. Do not exceed weight capacity. We cannot be liable for damage or injury caused by improper mounting, incorrect assembly or inappropriate use.

⚠ TIPOVER WARNING

SERIOUS OR FATAL CRUSHING INJURIES CAN OCCUR FROM TIPOVER. TO HELP PREVENT TIPOVER:

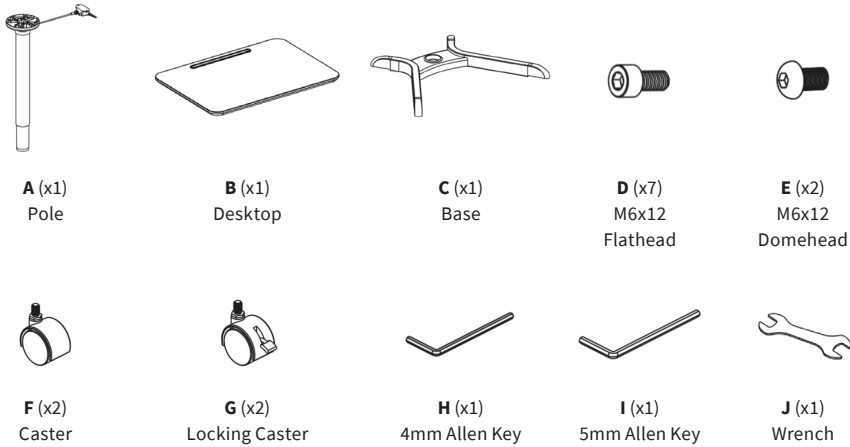
- NEVER ALLOW CHILDREN TO CLIMB, STAND, HANG, OR PLAY ON ANY PART OF CART.
- USE TIPOVER RESTRAINT OR ANCHOR CART TO WALL

USE OF TIPOVER RESTRAINTS MAY ONLY REDUCE, BUT NOT ELIMINATE RISK OF TIPOVER.

⚠ WARNING: CHOKING HAZARD

SMALL PARTS - NOT FOR CHILDREN UNDER 3 YEARS. ADULT SUPERVISION IS REQUIRED.

PACKAGE CONTENTS



NOTE: NOT ALL HARDWARE INCLUDED WILL BE USED

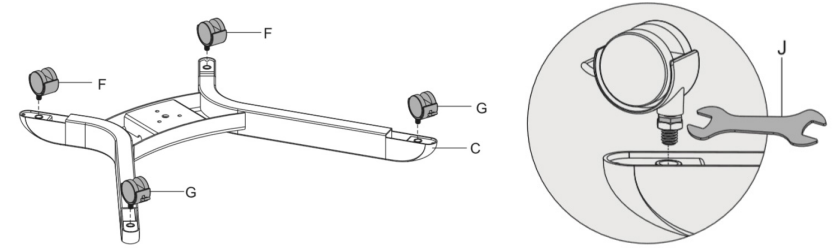
DO NOT EXCEED WEIGHT CAPACITY.
Failure to do so may result in serious injury.



ASSEMBLY STEPS

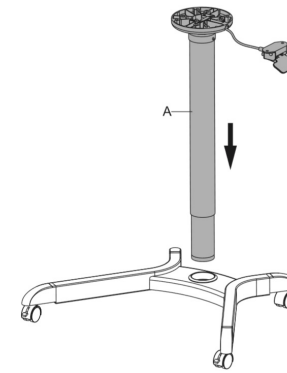
STEP 1

Mount casters (F) to rear of base (C) and locking casters (G) to front of base. Adjust casters to sit flat on floor if needed, then tighten the nut on each caster against the base using wrench (J) to secure the casters (F,G).



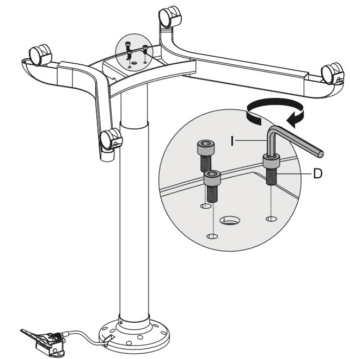
STEP 2

Place telescopic pole (A) into the hole in the top of the base (C), making sure the release handle is positioned on the right side.



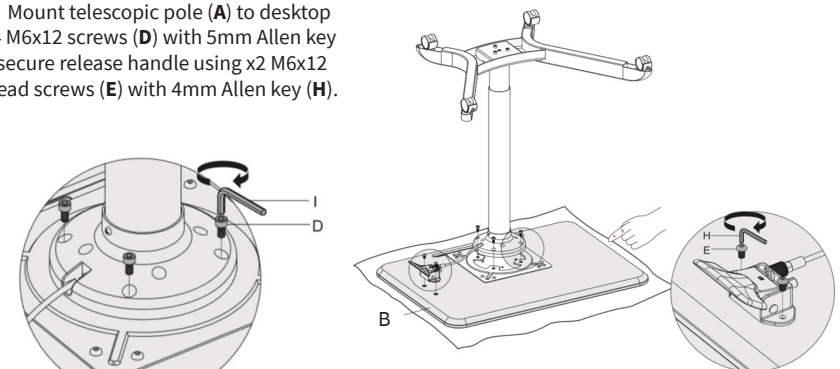
STEP 3

Secure pole using x3 M6x12 screws (D) and 5mm Allen key (I).



STEP 4

Place desktop (B) upside down on protective surface. Mount telescopic pole (A) to desktop using x4 M6x12 screws (D) with 5mm Allen key (I), and secure release handle using x2 M6x12 dome head screws (E) with 4mm Allen key (H).





Love your new VIVO setup and want to share?

Tag us in your photo! **@vivo_us**

Last Updated: 11/08/2018



If any parts are received damaged or defective, please contact us. We are happy to replace parts to ensure you have a fully functioning product.



help@vivo-us.com



www.vivo-us.com



1-800-371-5654

For more VIVO products, check out our website at:
www.vivo-us.com.