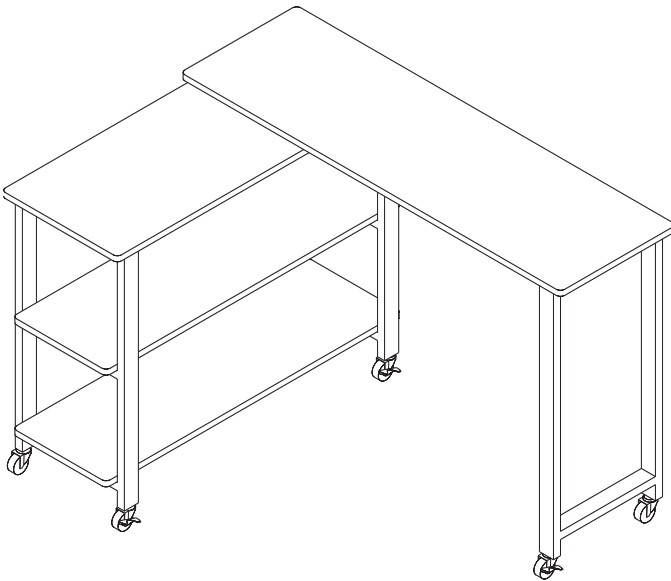




---

## Swivel Out Sofa Table with Wheels

### Instruction Manual



**SKU: CART-ST1B**



Scan the QR code with your mobile device or follow the link for helpful videos and specifications related to this product.

<https://vivo-us.com/products/cart-st1b>

---

**GET IN TOUCH** | Monday-Friday from 7:00am-7:00pm CST



help@vivo-us.com



www.vivo-us.com  
*Chat live with an agent!*



309-278-5303

 **WARNING!**

If you do not understand these directions, or if you have any doubts about the safety of the installation, please contact our product support team at 309-278-5303 or [help@vivo-us.com](mailto:help@vivo-us.com) for further assistance. Check carefully to make sure there are no missing or defective parts. Improper installation may cause damage or serious injury. Do not use this product for any purpose that is not explicitly specified in this manual. Do not exceed weight capacity. We cannot be liable for damage or injury caused by improper mounting, incorrect assembly or inappropriate use.

 **WARNING: CHOKING HAZARD**

SMALL PARTS - NOT FOR CHILDREN UNDER 3 YEARS. ADULT SUPERVISION IS REQUIRED.

 <b>WARNING</b>	
<b>PINCH POINT</b>	
<small>DO NOT place hands on or near support bars while using parts on, crush and cut. Pinch points are created during intended bending of metal surfaces. Failure to follow these instructions may result in serious personal injury.</small>	

 **DO NOT EXCEED WEIGHT CAPACITY.**

Failure to do so may result in serious injury.

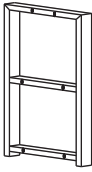


Per Shelf

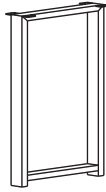


Total

# PACKAGE CONTENTS



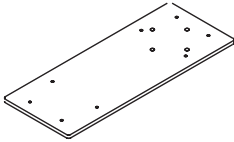
**A (x2)**  
Frame



**B (x1)**  
Side Leg



**C (x6)**  
Crossbar



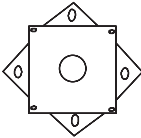
**D (x1)**  
Top Shelf



**E (x2)**  
Lower Shelf



**F (x1)**  
Desktop



**G (x1)**  
Swivel Bracket



**H (x6)**  
Casters



**S-A (x27)**  
M6x30mm Screws



**S-B (x13)**  
M6x55mm Screw



**S-C (x9)**  
M6x10mm Screws



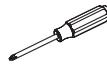
**S-D (x9)**  
ST3.5x14mm Screw



**T-A (x1)**  
Allen Wrench



**T-B (x1)**  
Wrench



**T-C (x1)**  
Phillips  
Screwdriver

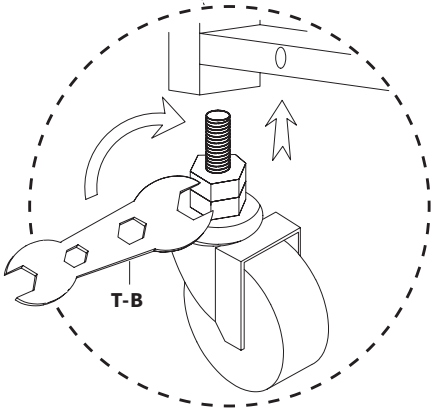
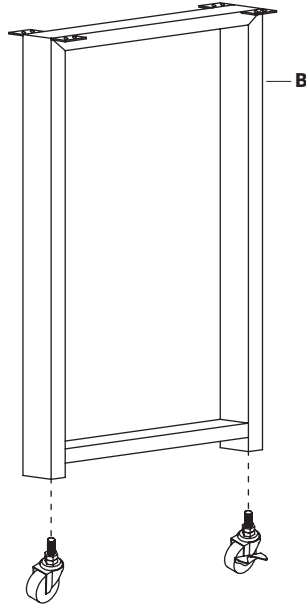
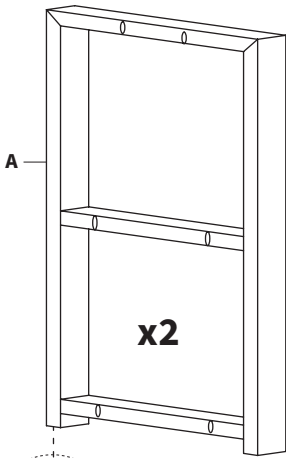
## TOOLS NEEDED



# ASSEMBLY STEPS

## STEP 1

Install Casters (**H**) onto the underside of Frames (**A**) and Side Leg (**B**). Each piece should get one Non-Locking Caster and one Locking Caster. Secure in place using Wrench (**T-B**).



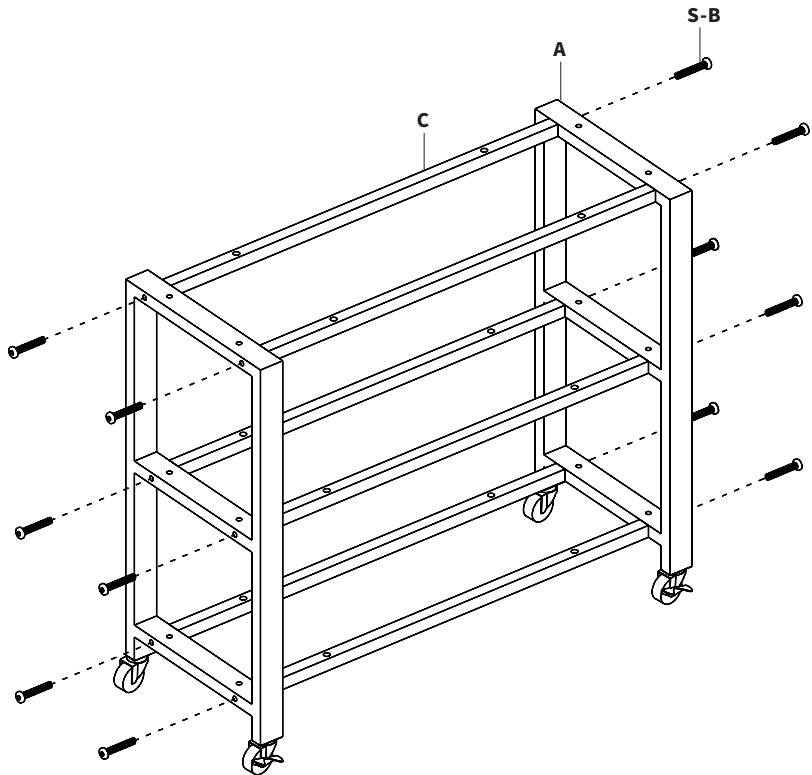
**Non-Locking  
Caster**



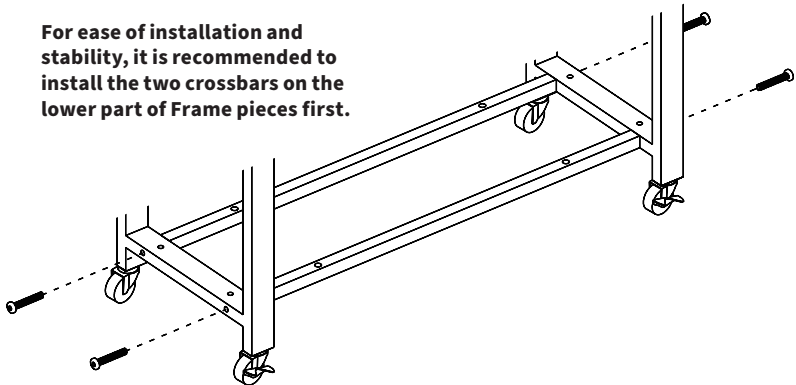
**Locking Caster**

## STEP 2

Connect the Frame (A) pieces together with the Crossbars (C) using M6x55mm Screws (S-B) and 6mm Allen Wrench (T-A).



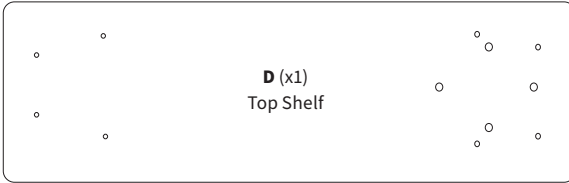
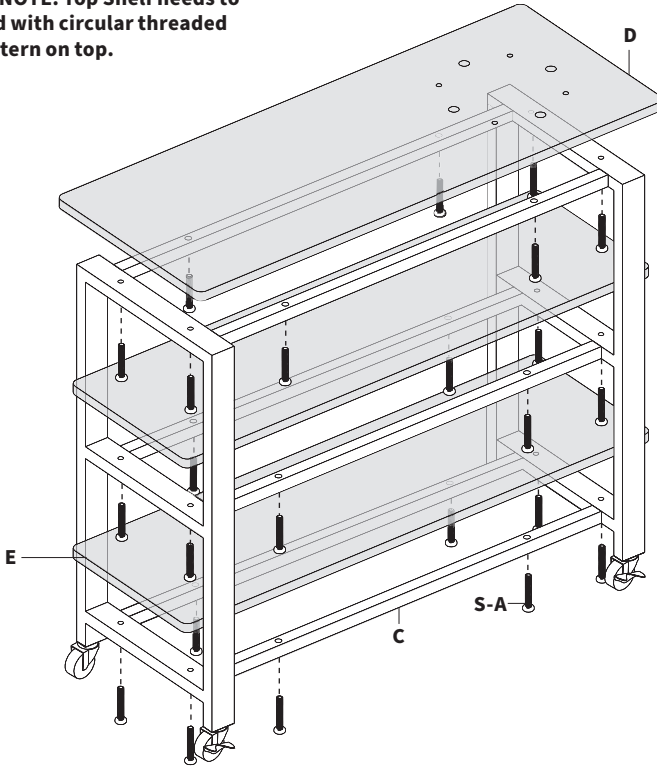
**For ease of installation and stability, it is recommended to install the two crossbars on the lower part of Frame pieces first.**



## STEP 3

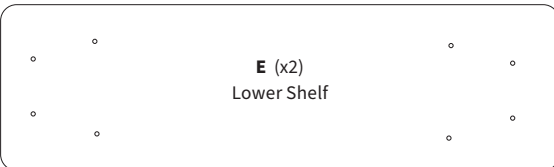
Install Lower Shelves (**E**) onto lower sets of Crossbars (**C**) and the Top Shelf (**D**) to the top Crossbar (**C**) using M6x30mm Screws (**S-A**).

**PLEASE NOTE: Top Shelf needs to be installed with circular threaded hole pattern on top.**



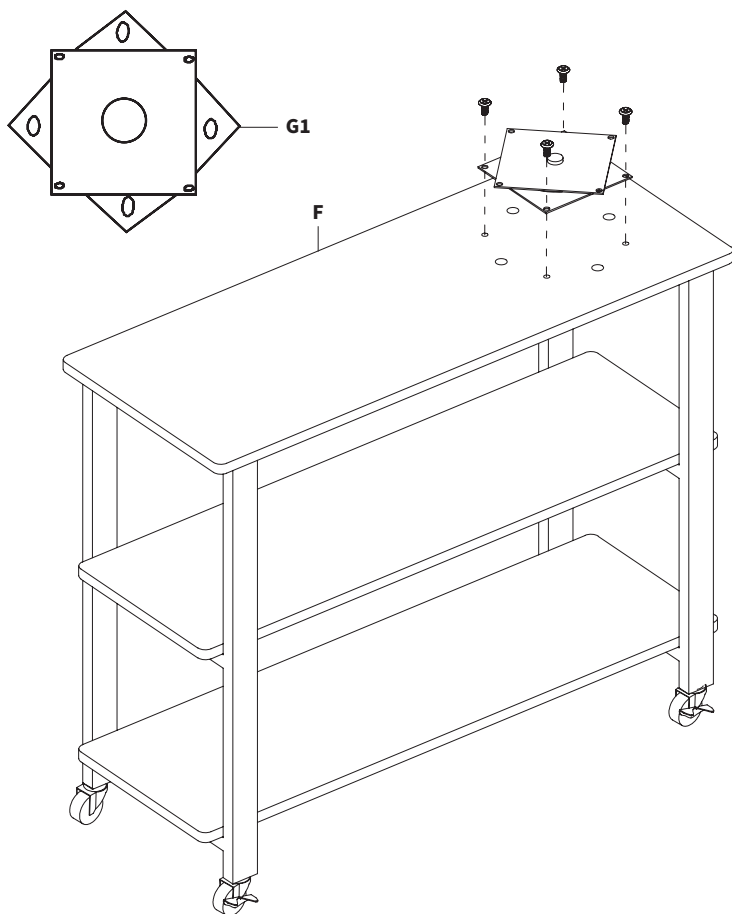
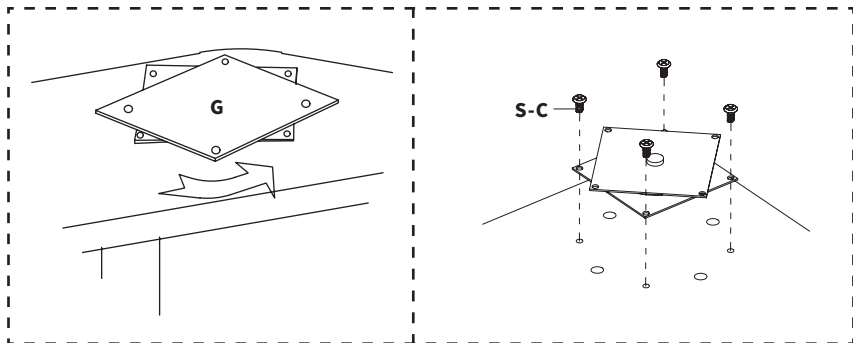
**Take note of threaded insert pattern of each shelf to aid in identifying the correct piece.**

*\*Underside view shown.*



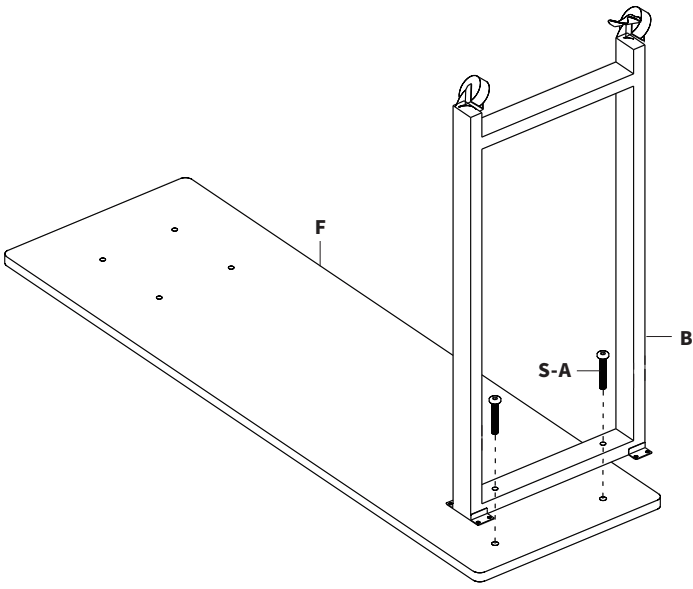
## STEP 4

Turn Swivel Bracket (**G**) so that the holes on Lower Plate (**G1**) are visible. Secure Lower Plate into the threaded circular pattern on Top Shelf (**4**) using the M6x10mm Screws (**S-C**) and 6mm Allen Wrench (**T-A**).

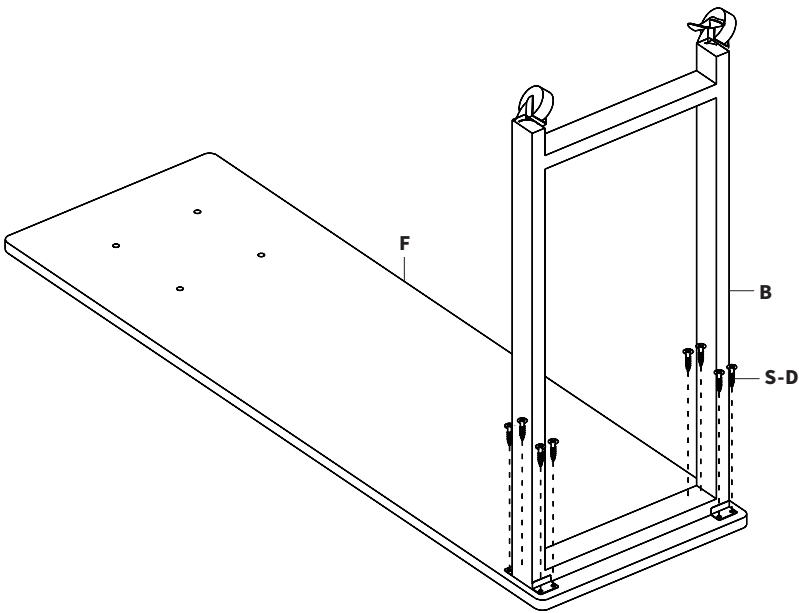


# STEP 5

Install Side Leg (B) to Desktop (F) using M6x30mm Screws (S-A) and 6mm Allen Wrench (T-A).



Use the ST3.5x14mm Screws (S-D) to further secure Side Leg (B) to Desktop (F).

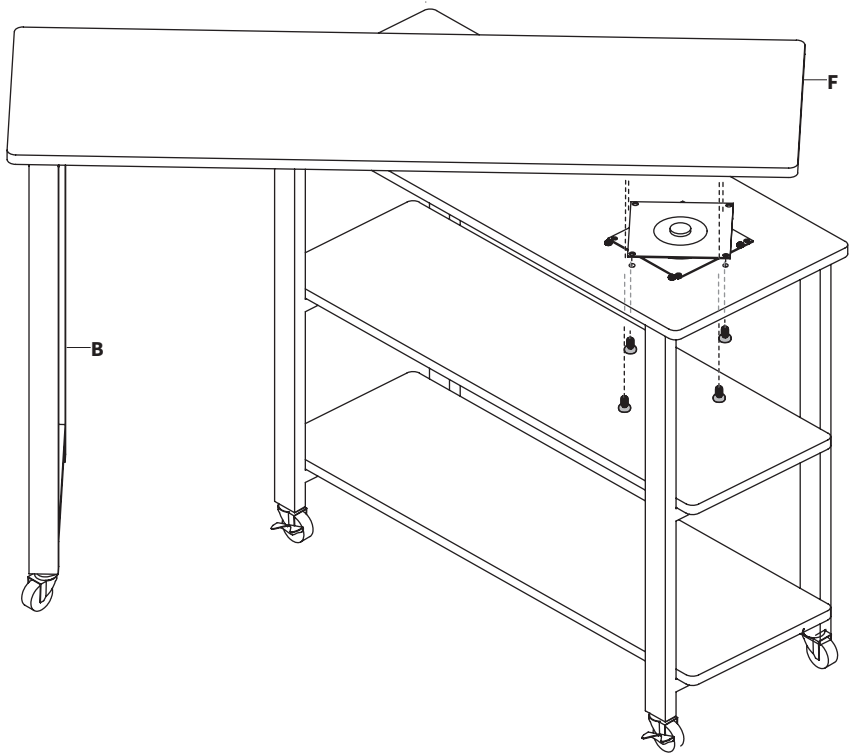




## STEP 6

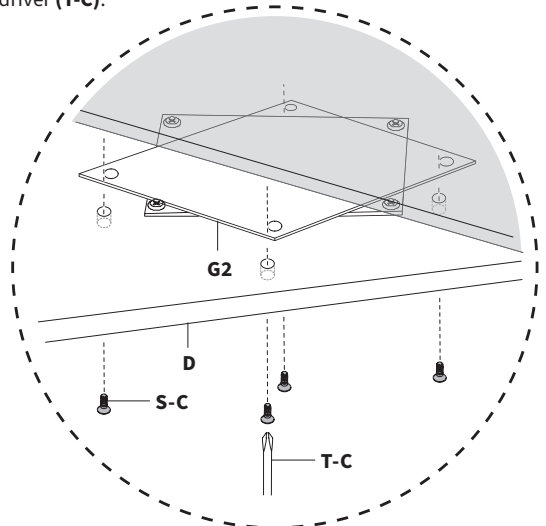
Set assembled Side Leg (**B**) and Desktop (**F**) upright.

Line up the mounting holes with the Upper Plate (**G2**) on Swivel Bracket (**G**). Make sure that the Upper Plate is oriented so that the through holes the Top Shelf (**D**) align with the mounting holes.



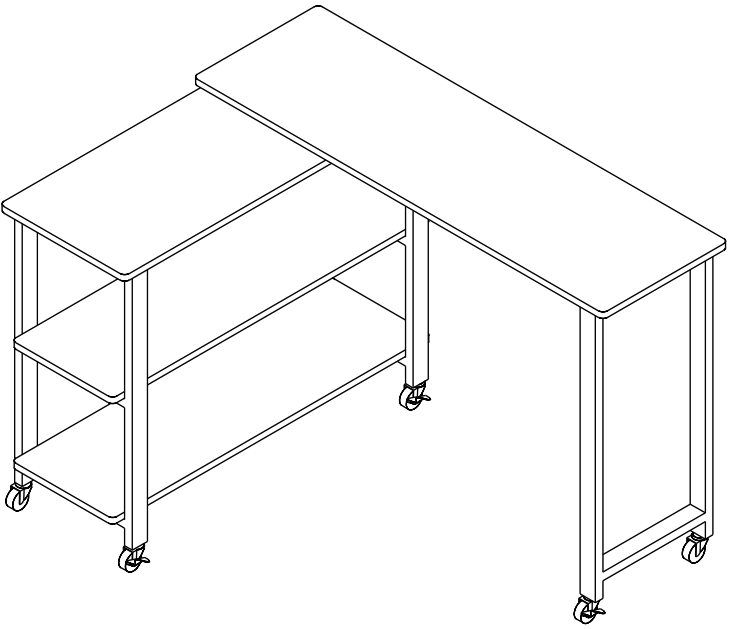
Pass M6x10mm (**S-C**) through the holes in the Top Shelf (**D**) and fasten the Desktop (**F**) to Upper Plate (**G2**) using Phillips Screwdriver (**T-C**).

**Note: the Screws and screwdriver should pass through the holes.**



**STEP 7**

Press the lever on the Locking Casters on the desired stationary side, then rotate the remaining side to use the desk.



[ THIS PAGE INTENTIONALLY LEFT BLANK ]



Love your new VIVO setup and want to share?  
Tag us in your photo! **@vivo\_us**

LAST UPDATED: 09/21/2023  
REV1



Open **Monday - Friday 7:00am - 7:00pm** CST,  
our dedicated support team can offer immediate assistance with rapid response times. If any parts are received damaged or defective, please contact us. We are happy to replace parts to ensure you have a fully functioning product.



309-278-5303

**AVG. RESOLUTION TIME** (*within office hrs*): **5M 4S**



[www.vivo-us.com](http://www.vivo-us.com)  
*Chat live with an agent!*

**AVG. RESOLUTION TIME** (*within office hrs*): **< 15 M**



[help@vivo-us.com](mailto:help@vivo-us.com)

**AVG. RESPONSE TIME** (*within office hrs*): **1HR 8M**

- 23% within < 15m
- 38% within < 30m
- 61% within < 1hr
- 83% within < 2hr
- 92% within < 3hr

FOR MORE VIVO PRODUCTS, CHECK OUT OUR WEBSITE AT: [www.vivo-us.com](http://www.vivo-us.com)