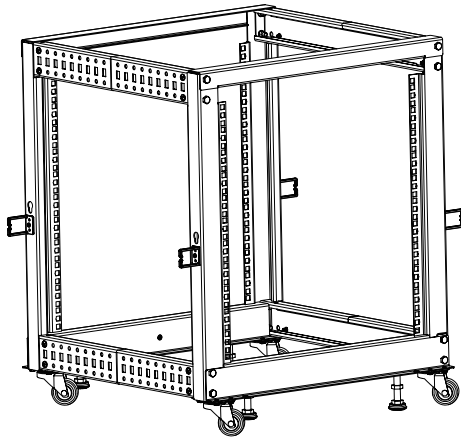




Black 12U Server Rack Instruction Manual



SKU: CART-SR12U



Scan the QR code with your mobile device or follow the link for helpful videos and specifications related to this product.

<https://vivo-us.com/products/cart-sr12u>

GET IN TOUCH | Monday-Friday from 7:00am-7:00pm CST



help@vivo-us.com



www.vivo-us.com
Chat live with an agent!



309-278-5303

! WARNING!

If you do not understand these directions, or if you have any doubts about the safety of the installation, please call a qualified technician. Check carefully to make sure there are no missing or defective parts. Improper installation may cause damage or serious injury. Do not use this product for any purpose that is not explicitly specified in this manual. Do not exceed weight capacity. We cannot be liable for damage or injury caused by improper mounting, incorrect assembly or inappropriate use.

! TIPOVER WARNING

SERIOUS OR FATAL CRUSHING INJURIES CAN OCCUR FROM TIPOVER. TO HELP PREVENT TIPOVER:

- NEVER ALLOW CHILDREN TO CLIMB, STAND, HANG, OR PLAY ON ANY PART OF CART.
- USE TIPOVER RESTRAINT OR ANCHOR CART TO WALL

USE OF TIPOVER RESTRAINTS MAY ONLY REDUCE, BUT NOT ELIMINATE RISK OF TIPOVER.

! WARNING: CHOKING HAZARD

SMALL PARTS - NOT FOR CHILDREN UNDER 3 YEARS. ADULT SUPERVISION IS REQUIRED.

PACKAGE CONTENTS



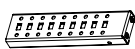
A (x2)
Bottom Support



B (x2)
Vertical Support
Right



C (x2)
Vertical Support
Left



D (x8)
Adjustment
Support



E (x4)
Adjustment
Crossbar



F (x4)
Caster



G (x2)
Upper Support



H (x4)
Foot



I (x4)
Hook



S-A (x16)
M8x20mm Screw



S-B (x20)
M6x12mm Screw



S-C (x16)
Plastic Spacer



S-D (x16)
M6 Nut



S-E (x4)
M4x16mm Screw



T-A (x1)
Wrench

For Accessories



S-B (x40)
M6x12mm Screw



S-C (x40)
Plastic Spacer



S-D (x40)
Fixed Buckle

SOME HARDWARE INCLUDED MAY NOT BE USED.

DO NOT EXCEED WEIGHT CAPACITY.
Failure to do so may result in serious injury.



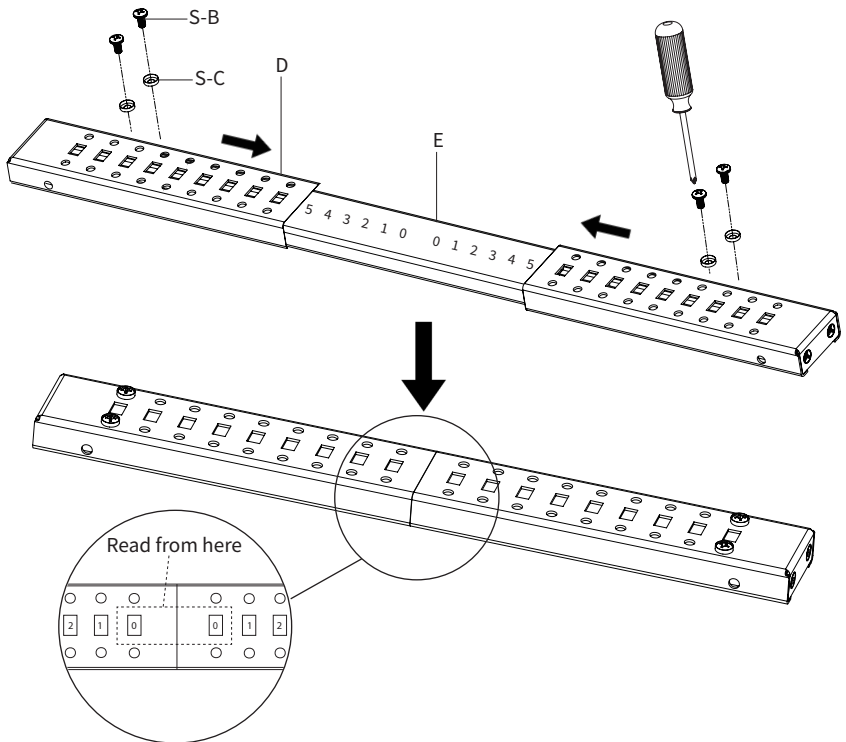
ASSEMBLY STEPS

STEP 1

Slide Adjustment Supports (**D**) onto Adjustment Crossbars (**E**). Determine the maximum required mounting depth for your equipment and use the associated Setting Numbers from the chart. Align the Setting Numbers on the Adjustment Crossbar (**E**) with the inner rectangular cutouts on Adjustment Supports (**D**) shown below (labeled “Read from here”). Assemble using M6x12mm Screws (**S-B**), Plastic Spacers (**S-C**), and a Phillips screwdriver.

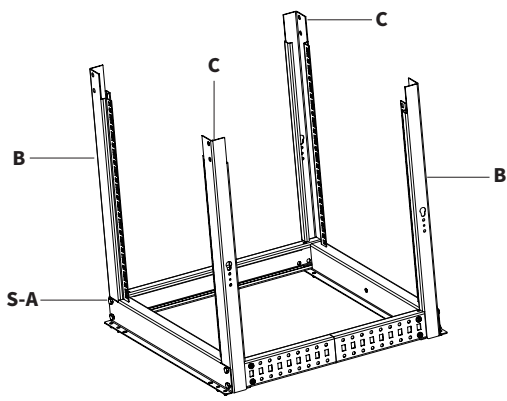
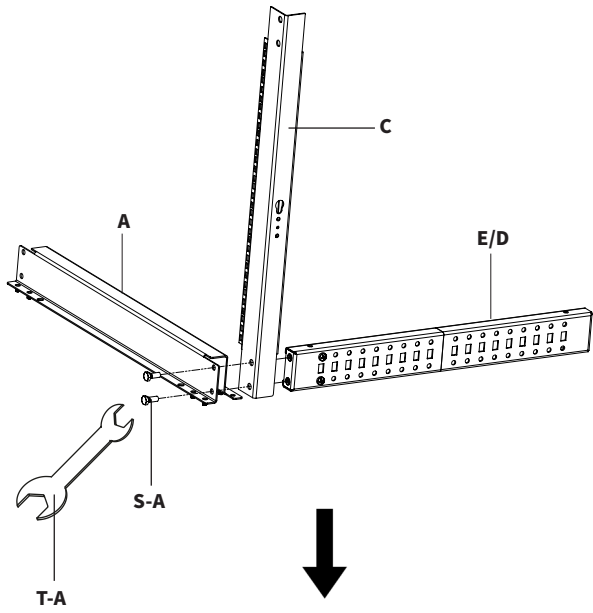
Mounting Depth	Setting Numbers
22 inch	0 and 0
23 inch	1 and 0
24 inch	1 and 1
25 inch	1 and 2
26 inch	2 and 2
27 inch	2 and 3
28 inch	3 and 3
29 inch	3 and 4
30 inch	4 and 4
31 inch	4 and 5

Mounting Depth	Setting Numbers
32 inch	5 and 5
33 inch	5 and 6
34 inch	6 and 6
35 inch	6 and 7
36 inch	7 and 7
37 inch	7 and 8
38 inch	8 and 8
39 inch	8 and 9
40 inch	9 and 9



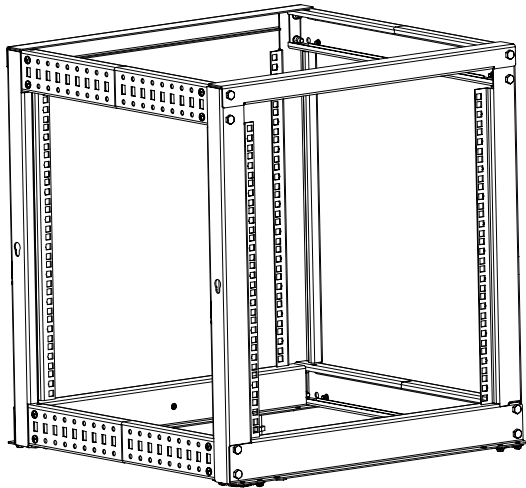
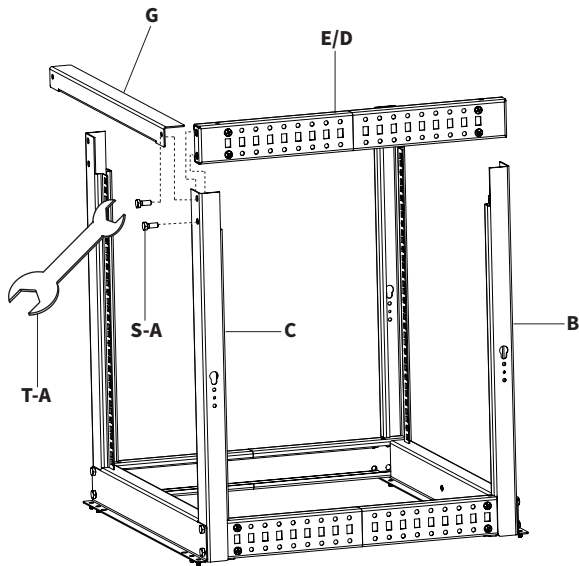
STEP 2

Assemble Bottom Supports (A) and Adjustment Crossbars (E) with Adjustment Supports (D) to Vertical Supports Left (C) using M8x20mm Screws (S-A) and Wrench (T-A). Connect the two assemblies with Vertical Supports Right (B) as shown below using M8x20mm Screws (S-A) and Wrench (T-A).



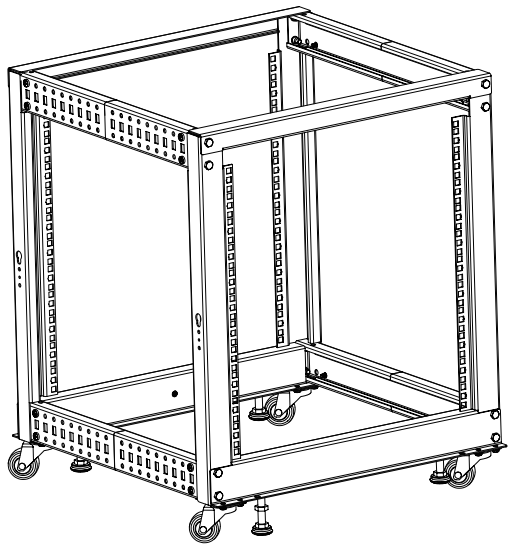
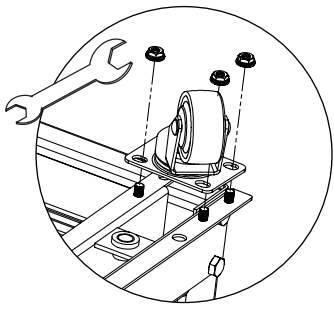
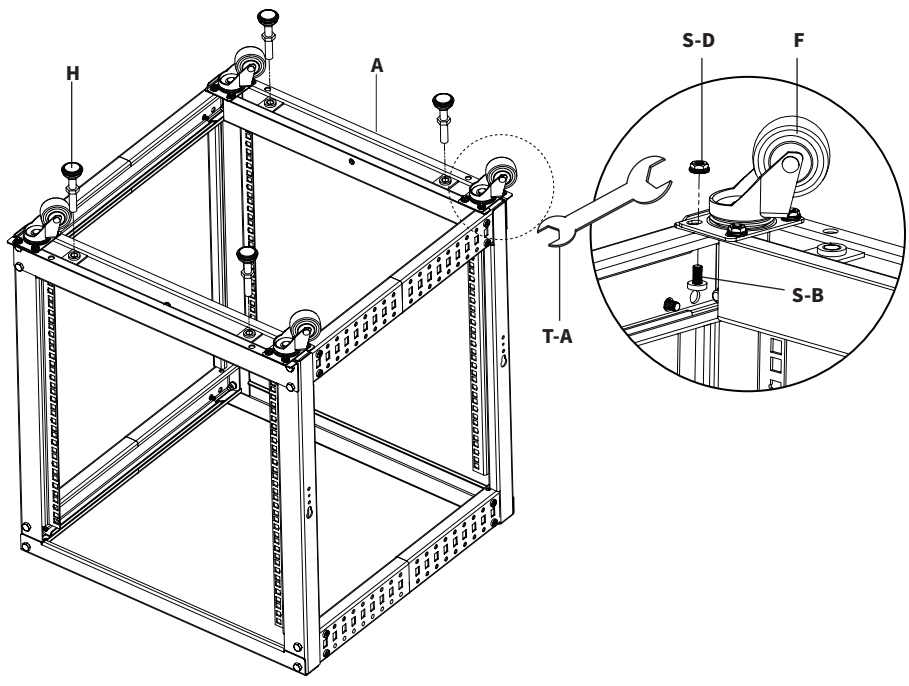
STEP 3

Secure Adjustment Crossbars (**E**) with Adjustment Supports (**D**) and Upper Supports (**G**) to Vertical Supports Right (**B**) and Vertical Supports Left (**C**) using M8x20mm Screws (**S-A**) and Wrench (**T-A**).



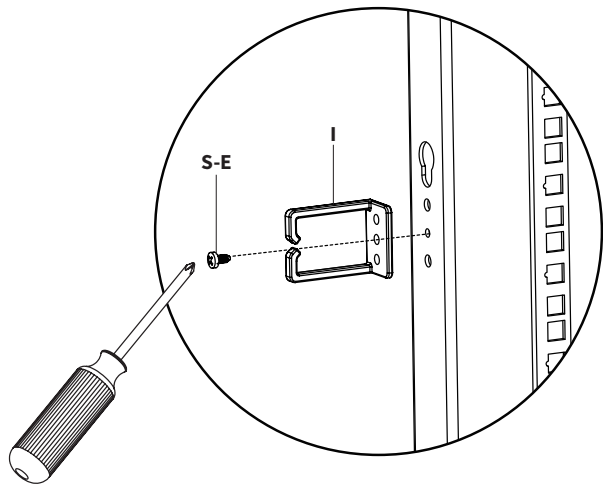
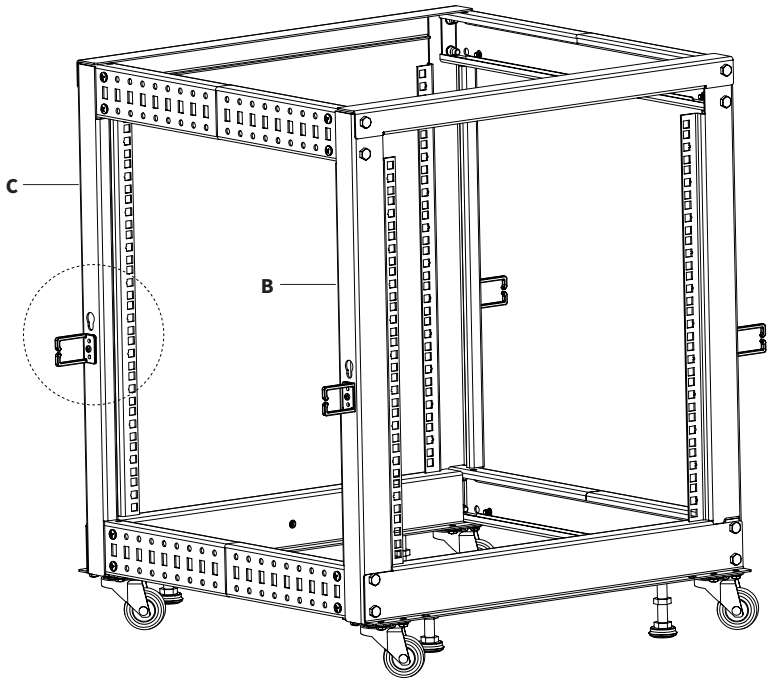
STEP 4

Install Feet (H) to Bottom Supports (A). Assemble Casters (F) to the cart assembly using M6x12mm Screws (S-B) with M6 Nuts (S-D) and Wrench (T-A).



STEP 5

Secure Hooks (I) to Vertical Supports Right (B) and Vertical Supports Left (C) using M4x16mm Screws (S-E).





Open **Monday - Friday 7:00am - 7:00pm** CST,
our dedicated support team can offer immediate assistance with rapid response times. If any parts are received damaged or defective, please contact us. We are happy to replace parts to ensure you have a fully functioning product.



309-278-5303

AVG. RESOLUTION TIME (*within office hrs*): **5M 4S**



www.vivo-us.com
Chat live with an agent!

AVG. RESOLUTION TIME (*within office hrs*): **< 15 M**



help@vivo-us.com

AVG. RESPONSE TIME (*within office hrs*): **1HR 8M**

- 23% within < 15m
- 38% within < 30m
- 61% within < 1hr
- 83% within < 2hr
- 92% within < 3hr