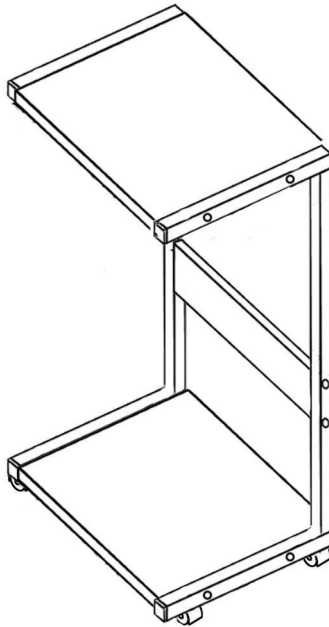




---

## Black PC Cart with Storage

### Instruction Manual



**SKU: CART-PC03**



Scan the QR code with your mobile device or follow the link for helpful videos and specifications related to this product.

<https://vivo-us.com/products/cart-pc03>

---

GET IN TOUCH | Monday-Friday from 7:00am-7:00pm CST



help@vivo-us.com



www.vivo-us.com  
*Chat live with an agent!*



309-278-5303

# **WARNING!**

If you do not understand these directions, or if you have any doubts about the safety of the installation, please call a qualified technician. Check carefully to make sure there are no missing or defective parts. Improper installation may cause damage or serious injury. Do not use this product for any purpose that is not explicitly specified in this manual and do not exceed weight capacity. We cannot be liable for damage or injury caused by improper mounting, incorrect assembly, or inappropriate use.

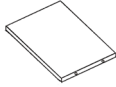
## **WARNING: CHOKING HAZARD**

SMALL PARTS - NOT FOR CHILDREN UNDER 3 YEARS. ADULT SUPERVISION IS REQUIRED.

### PACKAGE CONTENTS



**A** (x2)  
Frame



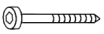
**B** (x2)  
Shelf



**C** (x1)  
Cross Brace



**D** (x4)  
Caster



**S-A** (x12)  
ST5.2X50mm  
Screw



**T-A** (x1)  
4mm Allen  
Wrench



**T-B** (x1)  
Wrench

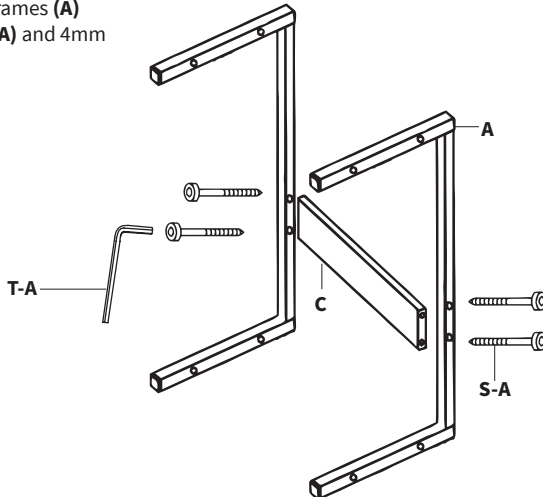
DO NOT EXCEED WEIGHT CAPACITY.  
Failure to do so may result in serious injury.



### ASSEMBLY STEPS

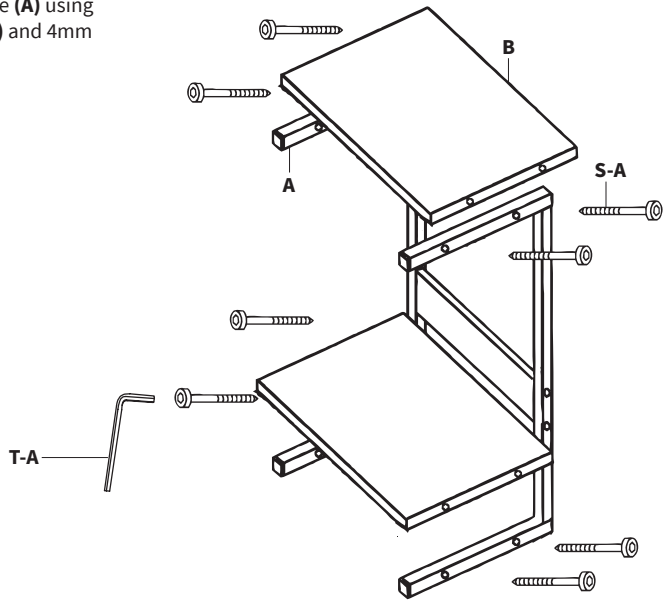
#### STEP 1

Assemble Cross Brace (**C**) to Frames (**A**) using ST5.2x50mm Screws (**S-A**) and 4mm Allen Wrench (**T-A**).



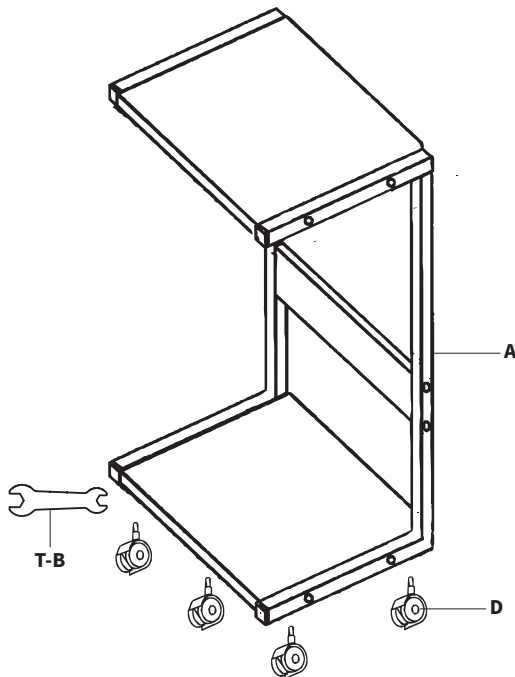
## STEP 2

Connect Shelf (B) to Frame (A) using ST5.2x50mm Screws (S-A) and 4mm Allen Wrench (T-A).



## STEP 3

Thread Casters (D) to Frame (A) using Wrench (T-B).





Love your new VIVO setup and want to share?  
Tag us in your photo! **@vivo\_us**

LAST UPDATED: 11/29/2022  
REV1



Open **Monday - Friday 7:00am - 7:00pm** CST,  
our dedicated support team can offer immediate assistance with rapid response times. If any parts are received damaged or defective, please contact us. We are happy to replace parts to ensure you have a fully functioning product.



309-278-5303

**AVG. RESOLUTION TIME** (*within office hrs*): **5M 4S**



[www.vivo-us.com](http://www.vivo-us.com)  
*Chat live with an agent!*

**AVG. RESOLUTION TIME** (*within office hrs*): **< 15 M**



[help@vivo-us.com](mailto:help@vivo-us.com)

**AVG. RESPONSE TIME** (*within office hrs*): **1HR 8M**

- 23% within < 15m
- 38% within < 30m
- 61% within < 1hr
- 83% within < 2hr
- 92% within < 3hr

FOR MORE VIVO PRODUCTS, CHECK OUT OUR WEBSITE AT: [www.vivo-us.com](http://www.vivo-us.com)