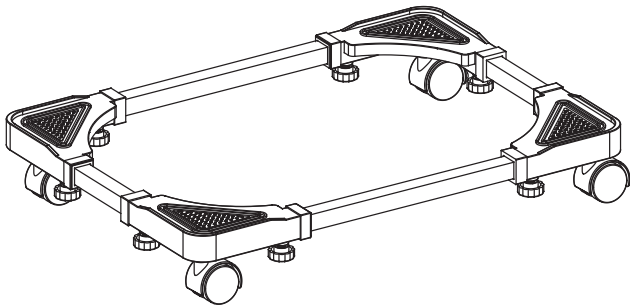




---

## Large CPU Cart

### Instruction Manual



**SKU: CART-PC03L**



Scan the QR code with your mobile device or follow the link for helpful videos and specifications related to this product.

<https://vivo-us.com/products/cart-pc03l>

---

GET IN TOUCH | Monday-Friday from 7:00am-7:00pm CST



help@vivo-us.com



www.vivo-us.  
*Chat live with an agent!*



309-278-5303

# **WARNING!**

If you do not understand these directions, or if you have any doubts about the safety of the installation, please call a qualified technician. Check carefully to make sure there are no missing or defective parts. Improper installation may cause damage or serious injury. Do not use this product for any purpose that is not explicitly specified in this manual. Do not exceed weight capacity. We cannot be liable for damage or injury caused by improper mounting, incorrect assembly or inappropriate use.

## **WARNING: CHOKING HAZARD**

SMALL PARTS - NOT FOR CHILDREN UNDER 3 YEARS. ADULT SUPERVISION IS REQUIRED.

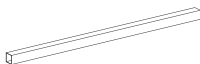
### PACKAGE CONTENTS



**A** (x4)  
Corner Brace



**B** (x2)  
Short Rail



**C** (x2)  
Long Rail



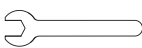
**D** (x2)  
Caster



**E** (x2)  
Locking Caster



**S-A** (x8)  
Thumbscrew



**T-A** (x1)  
Wrench

### TOOLS NEEDED



Tape Measure

**DO NOT EXCEED WEIGHT CAPACITY.**

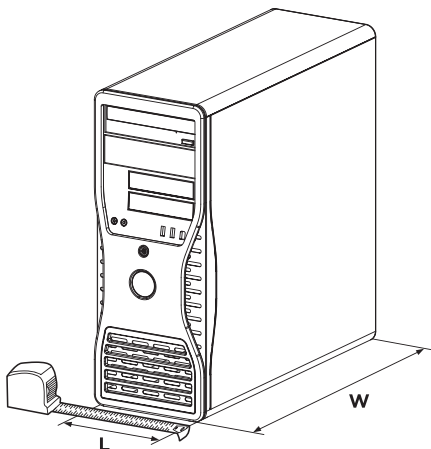
Failure to do so may result in serious injury.

**44lbs  
(20kg)**

### ASSEMBLY STEPS

#### STEP 1

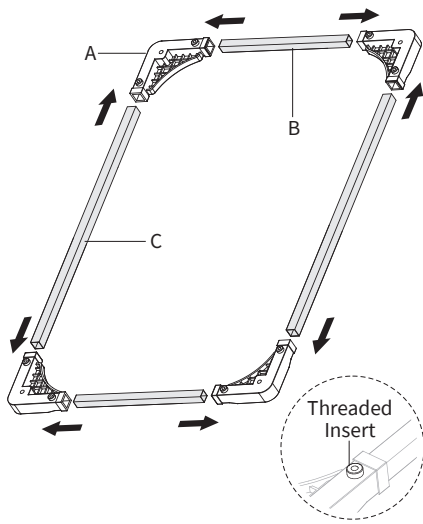
Measure the length and width of your PC.



#### STEP 2

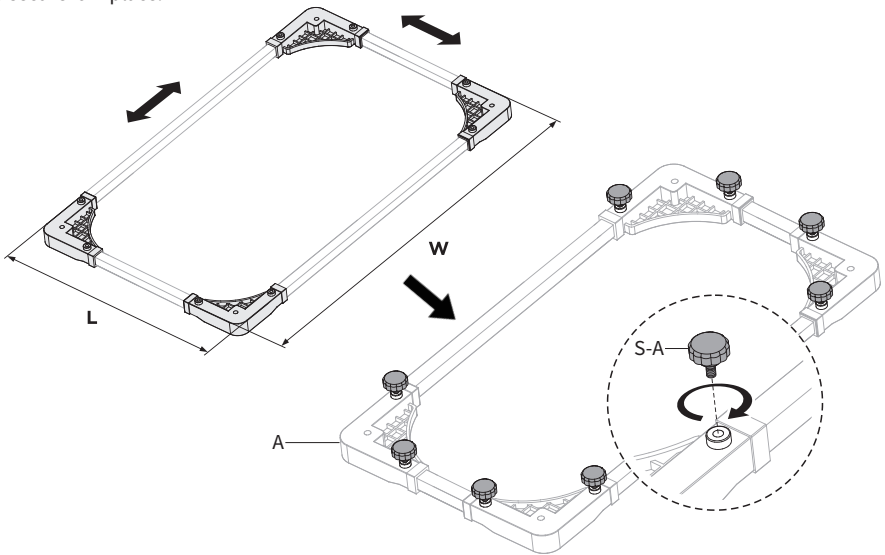
Insert Short Rails (**B**) and Long Rails (**C**) into Corner Braces (**A**) as shown below.

**NOTE:** Make sure the threaded inserts on Corner Braces (**A**) are all facing up.



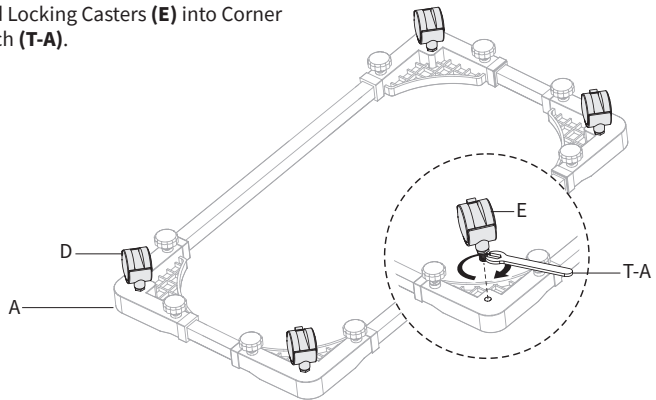
### STEP 3

Adjust the cart assembly to fit the PC. Once adjusted, thread Thumbscrews (**S-A**) into Corner Braces (**A**) to secure it in place.



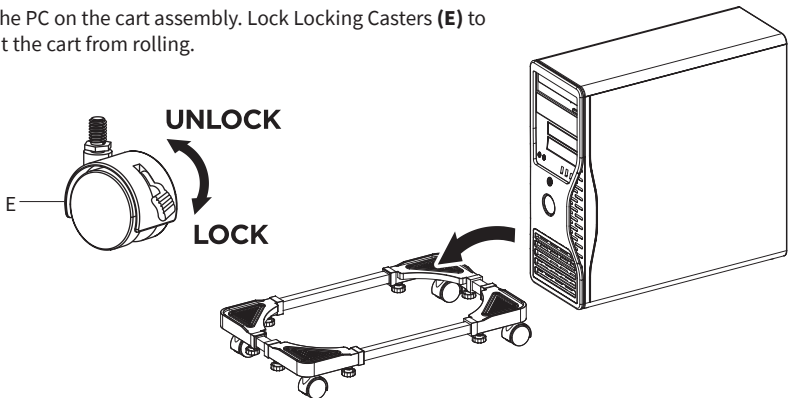
### STEP 4

Thread Casters (**D**) and Locking Casters (**E**) into Corner Braces (**A**) using Wrench (**T-A**).



### STEP 5

Place the PC on the cart assembly. Lock Locking Casters (**E**) to prevent the cart from rolling.





Open **Monday - Friday 7:00am - 7:00pm** CST,  
our dedicated support team can offer immediate assistance with rapid response times. If any parts are received damaged or defective, please contact us. We are happy to replace parts to ensure you have a fully functioning product.



309-278-5303

**AVG. RESOLUTION TIME** (*within office hrs*): **5M 4S**



[www.vivo-us.com](http://www.vivo-us.com)  
*Chat live with an agent!*

**AVG. RESOLUTION TIME** (*within office hrs*): **< 15 M**



[help@vivo-us.com](mailto:help@vivo-us.com)

**AVG. RESPONSE TIME** (*within office hrs*): **1HR 8M**

- 23% within < 15m
- 38% within < 30m
- 61% within < 1hr
- 83% within < 2hr
- 92% within < 3hr