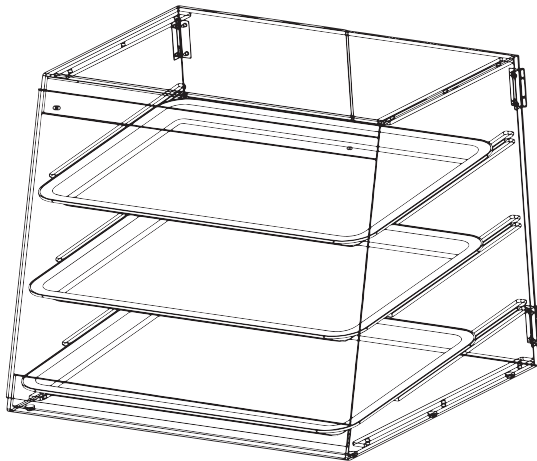




---

## 3 Tray Acrylic Display Case

Instruction Manual



**SKU: CANDY-DSPY3**



Scan the QR code with your mobile device or follow the link for helpful videos and specifications related to this product.

<https://vivo-us.com/products/candy-dspy3>

---

GET IN TOUCH | Monday-Friday from 7:00am-7:00pm CST



help@vivo-us.com



www.vivo-us.com  
*Chat live with an agent!*



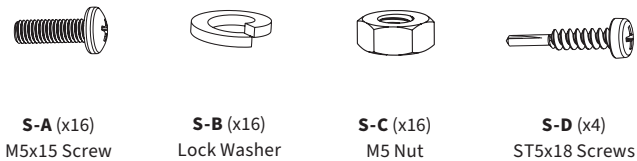
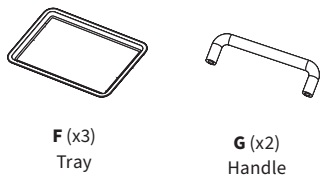
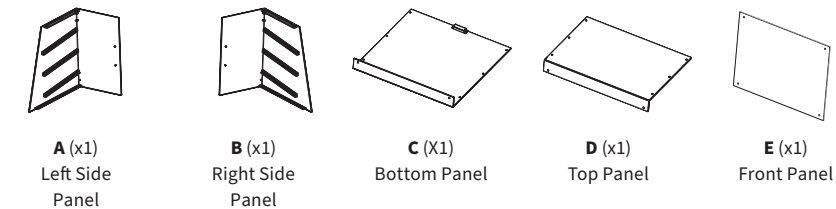
309-278-5303

**WARNING: IMPORTANT SAFETY INFORMATION**  
**READ AND FOLLOW ALL SAFETY REQUIREMENTS**

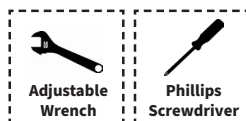
**KEEP THIS MANUAL IN A SAFE AND DRY PLACE FOR FUTURE REFERENCE**

If you do not understand these directions, or if you have any doubts about the safety of the installation, please call a qualified technician. Check carefully to make sure there are no missing or defective parts. Improper installation may cause damage or serious injury. Do not use this product for any purpose that is not explicitly specified in this manual and do not exceed weight capacity. We cannot be liable for damage or injury caused by improper mounting, incorrect assembly or inappropriate use.

**PACKAGE CONTENTS**



**TOOLS NEEDED**



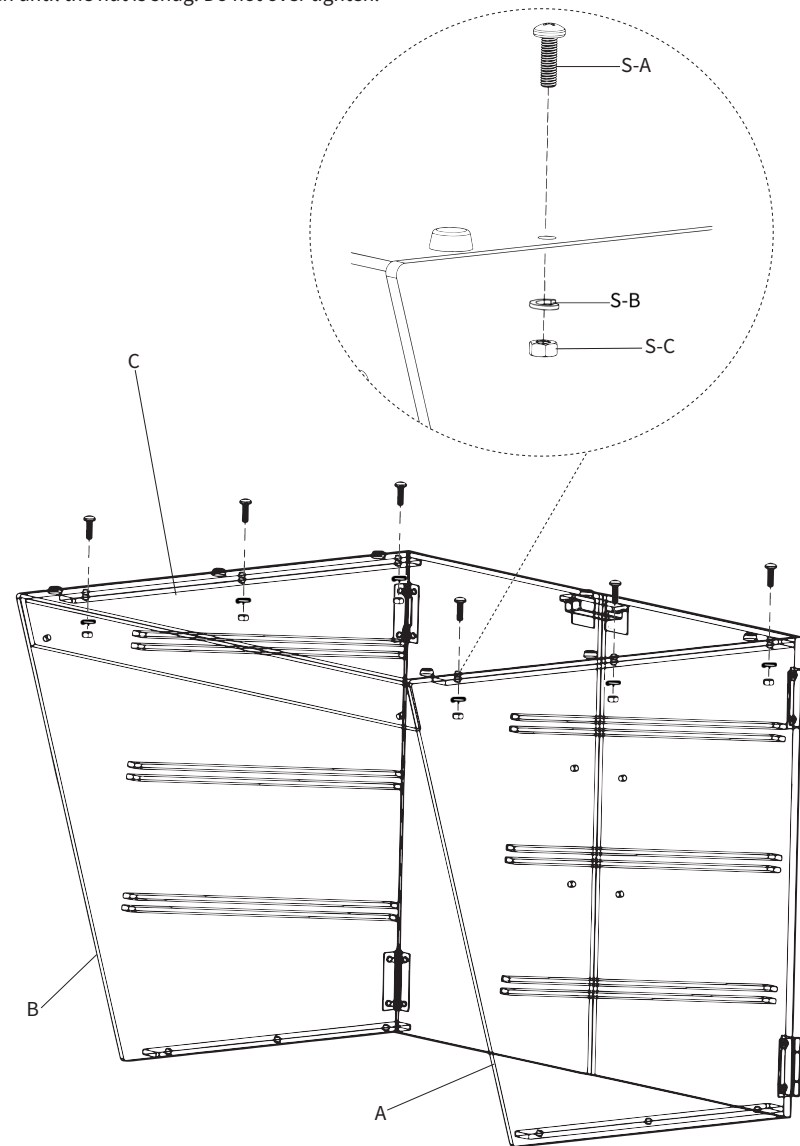
**WARNING: CHOKING HAZARD**  
 SMALL PARTS - NOT FOR CHILDREN UNDER 3 YEARS.  
 ADULT SUPERVISION IS REQUIRED.

**DO NOT EXCEED WEIGHT CAPACITY.**  
 Failure to do so may result in serious injury.

**ASSEMBLY STEPS**

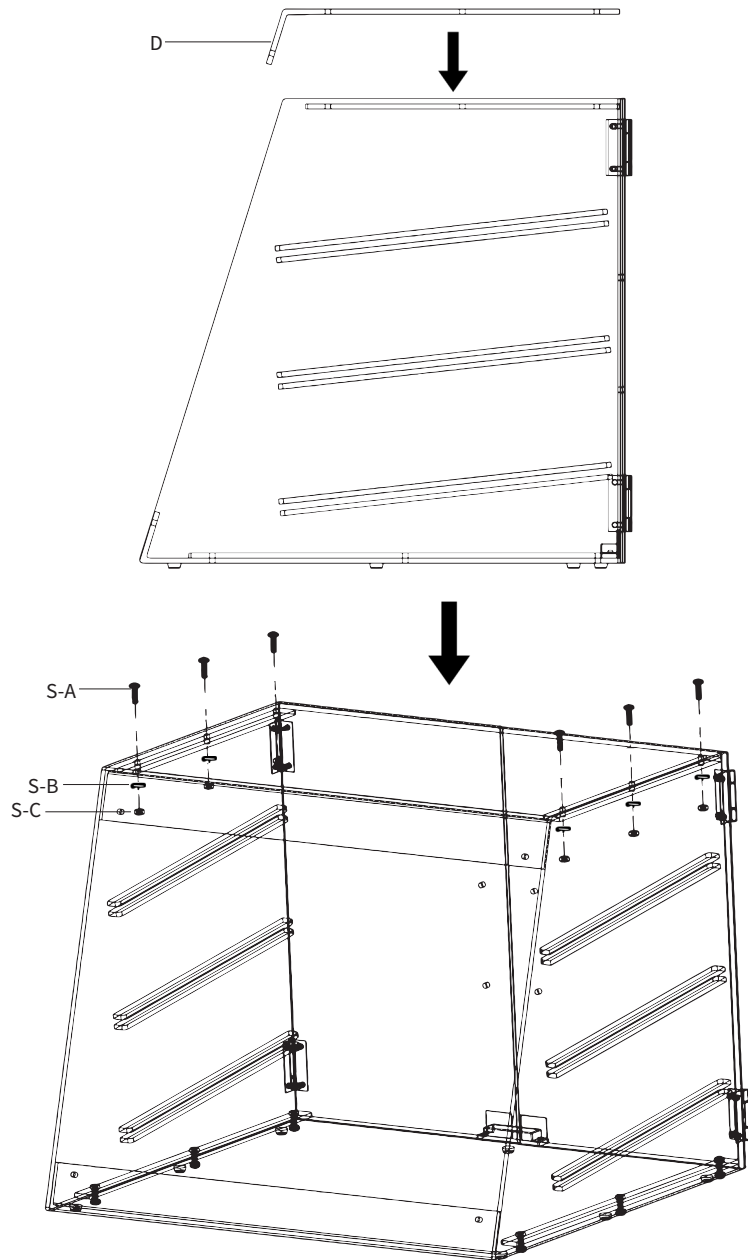
**STEP 1**

Place Left Side Panel (A) and Right Side Panel (B) upside down so the interior grooves face each other and the case's shorter side is on the bottom. Place Bottom Panel (C) on top of the two side panels. The bent side will be at the front of the case and the magnet will be at the back of the case. Align the pre-drilled holes and insert M5x15 Screws (S-A) into the pre-drilled holes and then slide Lock Washers (S-B) onto M5x15 Screws (S-A) and secure with M5 Nuts (S-C). Gently tighten with an adjustable wrench until the nut is snug. Do not over tighten.



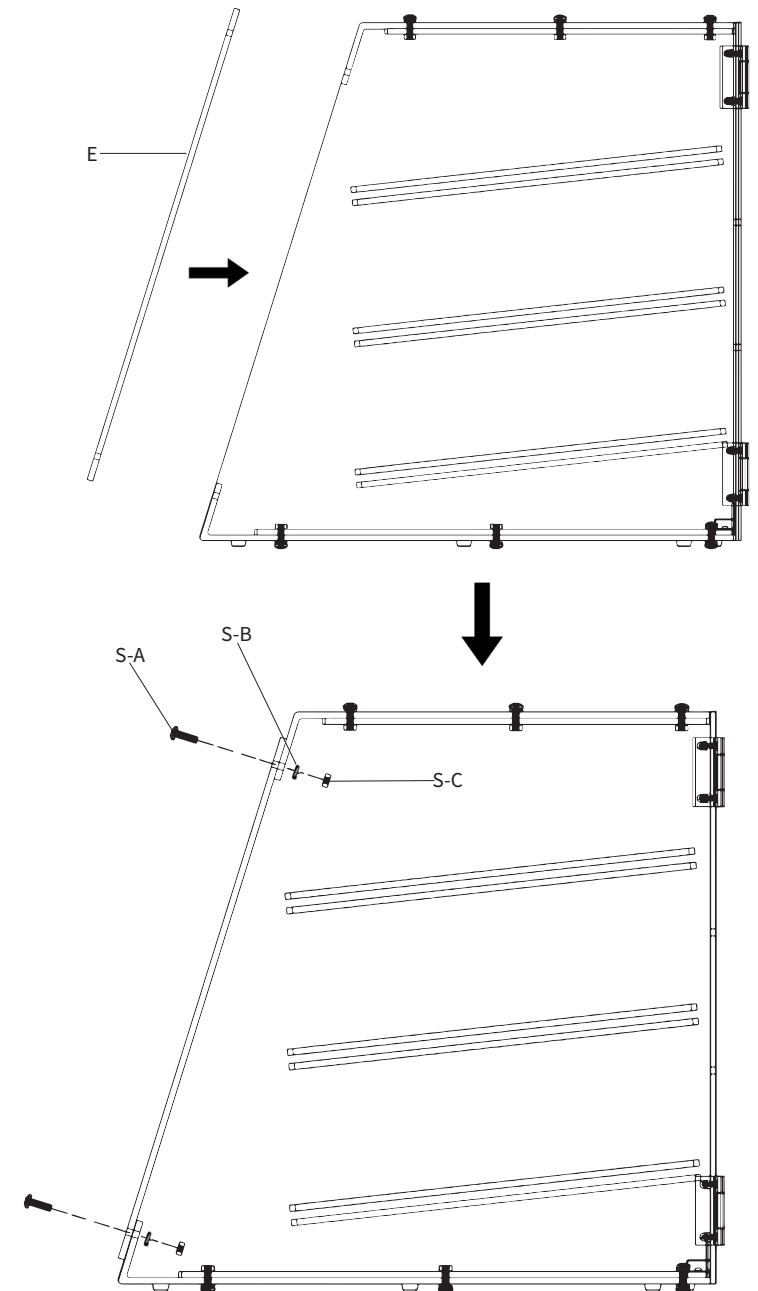
## STEP 2

Flip the display case over and align Top Panel (D) with the pre-drilled holes. The bent side of this piece will be at the front of the case. Insert M5x15 Screws (S-A) into the pre-drilled hole and then slide Lock Washers (S-B) onto M5x15 Screws (S-A) and secure with M5 Nuts (S-C). Gently tighten with an adjustable wrench until the nut is snug. Do not over tighten.



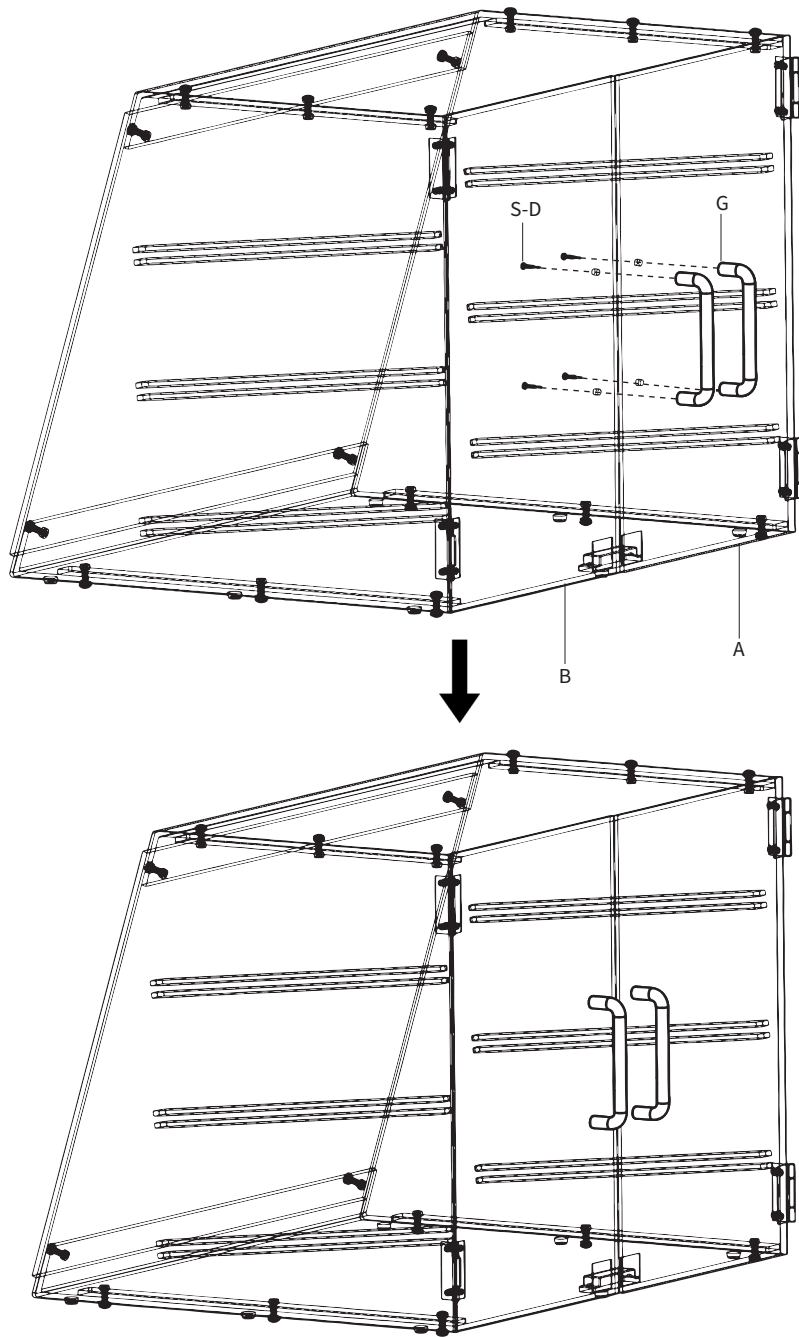
## STEP 3

Place Front Panel (E) on the angled front edge of the display case and insert M5x15 Screws (S-A) into the pre-drilled holes and then slide Lock Washers (S-B) onto M5x15 Screws (S-A) and secure with M5 Nuts (S-C). Gently tighten with an adjustable wrench until the nut is snug. Do not over tighten.



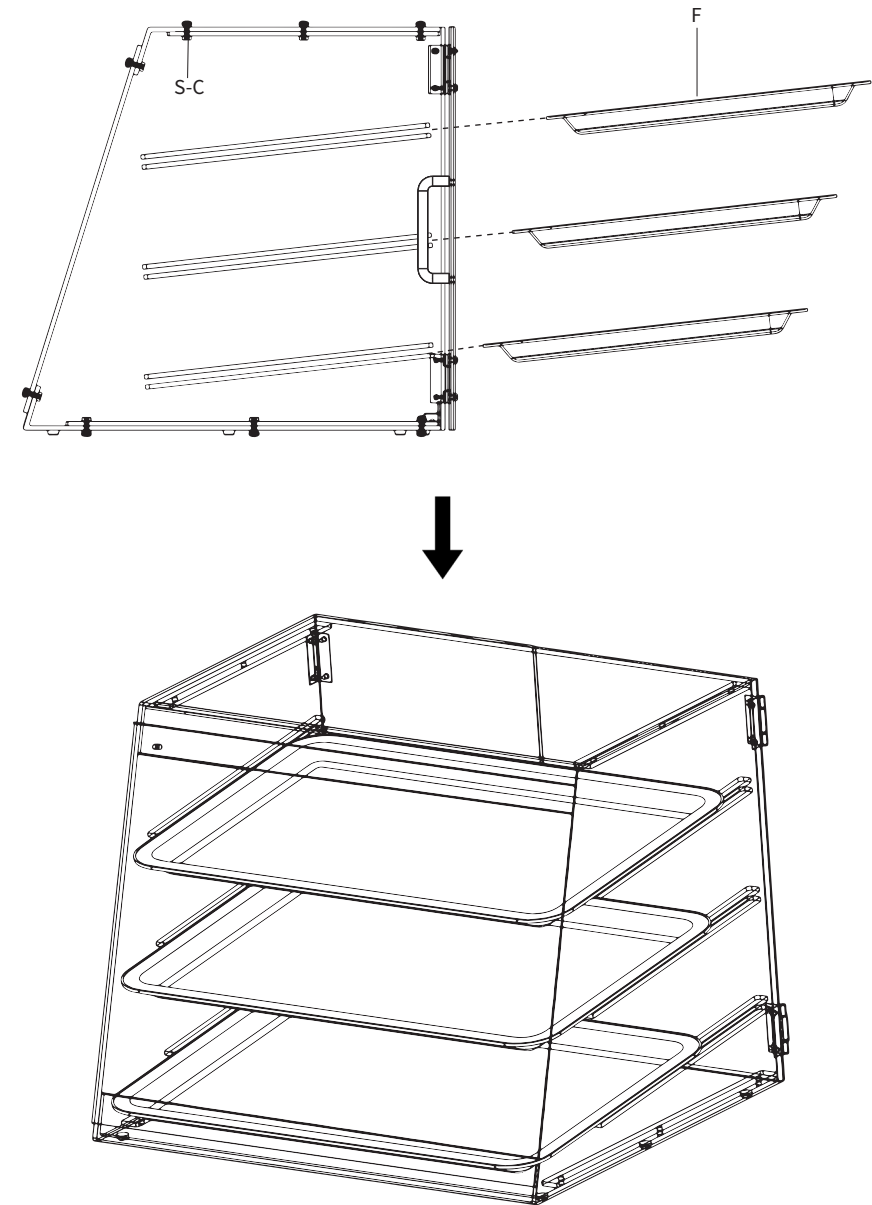
## STEP 4

Find the pre-drilled holes on Left Side Panel (**A**) and Right Side Panel (**B**), then line up Handles (**G**) with the holes. Secure Handles (**G**) using ST5x18 Screws (**S-D**).



## STEP 5

After the case is assembled, check that all parts are correctly aligned and that M5 Nuts (**S-C**) are secure. Slide Trays (**F**) into the grooves inside the display case. The Display case is now ready for use.





Open **Monday - Friday 7:00am - 7:00pm** CST,  
our dedicated support team can offer immediate assistance with rapid response times. If any parts are received damaged or defective, please contact us. We are happy to replace parts to ensure you have a fully functioning product.



309-278-5303

**AVG. RESOLUTION TIME** (*within office hrs*): **5M 4S**



[www.vivo-us.com](http://www.vivo-us.com)  
*Chat live with an agent!*

**AVG. RESOLUTION TIME** (*within office hrs*): **< 15 M**



[help@vivo-us.com](mailto:help@vivo-us.com)

**AVG. RESPONSE TIME** (*within office hrs*): **1HR 8M**

- 23% within < 15m
- 38% within < 30m
- 61% within < 1hr
- 83% within < 2hr
- 92% within < 3hr