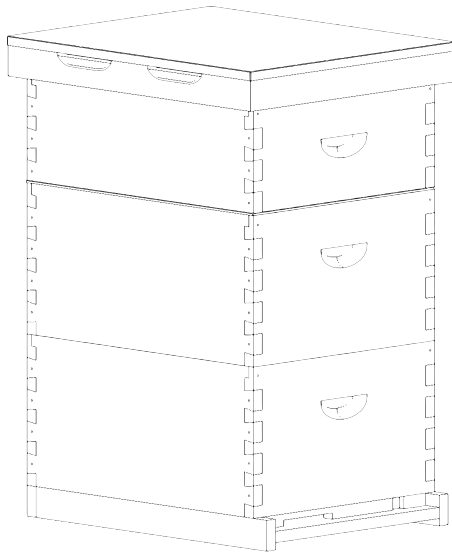




Double Deep + Single Medium Beehive Instruction Manual



SKU: BEE-HV04C



Scan the QR code with your mobile device or follow the link for helpful videos and specifications related to this product.

<https://vivo-us.com/products/bee-hv04c>

GET IN TOUCH | Monday-Friday from 7:00am-7:00pm CST



help@vivo-us.com



www.vivo-us.com
Chat live with an agent!



309-278-5303



WARNING: IMPORTANT SAFETY INFORMATION

READ AND FOLLOW ALL SAFETY REQUIREMENTS

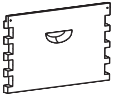
KEEP THIS MANUAL IN A SAFE AND DRY PLACE FOR FUTURE REFERENCE

If you do not understand these directions, or if you have any doubts about the safety of the installation, please call a qualified technician. Check carefully to make sure there are no missing or defective parts. Improper installation may cause damage or serious injury. Do not use this product for any purpose that is not explicitly specified in this manual and do not exceed weight capacity. We cannot be liable for damage or injury caused by improper mounting, incorrect assembly or inappropriate use.

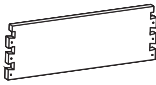
PACKAGE CONTENTS



A (x4)
Deep Side
Panel



B (x4)
Deep End
Panel



C (x2)
Medium Side
Panel



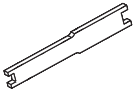
D (x2)
Medium End
Panel



E (x30)
Frame Top Bars



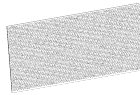
F (x30)
Frame Bottom
Bars



G (x40)
Deep Frame
Side Bars



H (x20)
Medium Frame
Side Bars



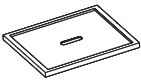
I (x20)
Deep
Foundation



J (x10)
Medium
Foundation



K (x1)
Bottom Board



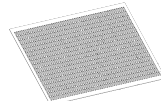
L (x1)
Inner Cover



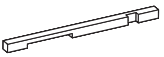
M (x1)
Telescoping Cover



N (x4)
Telescoping Cover
Cutout



O (x1)
Plastic Queen
Excluder



P (x1)
Entrance Reducer



S-A (x60)
Brass Hive Body Nails



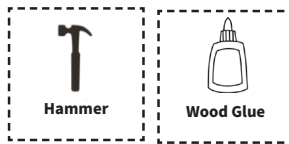
S-B (x125)
Silver Foundation Nails

NOTE: NOT ALL HARDWARE INCLUDED WILL BE USED

WARNING: CHOKING HAZARD

SMALL PARTS - NOT FOR CHILDREN UNDER 3 YEARS. ADULT SUPERVISION IS REQUIRED.

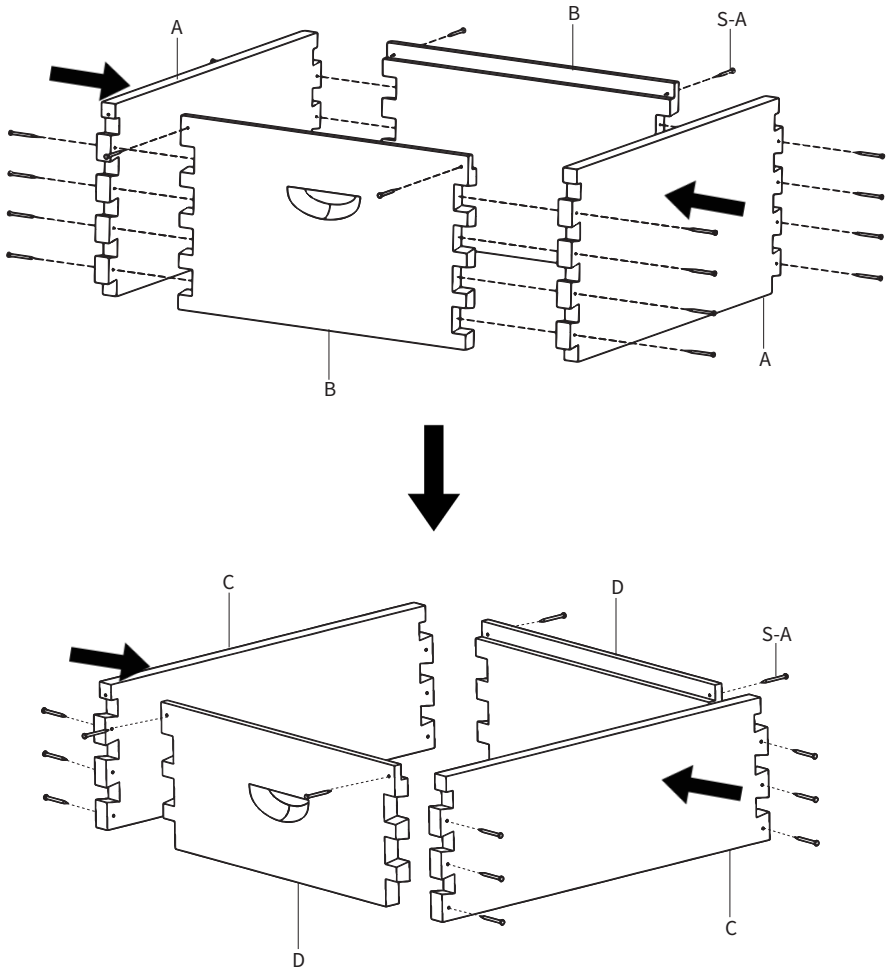
TOOLS NEEDED



ASSEMBLY STEPS

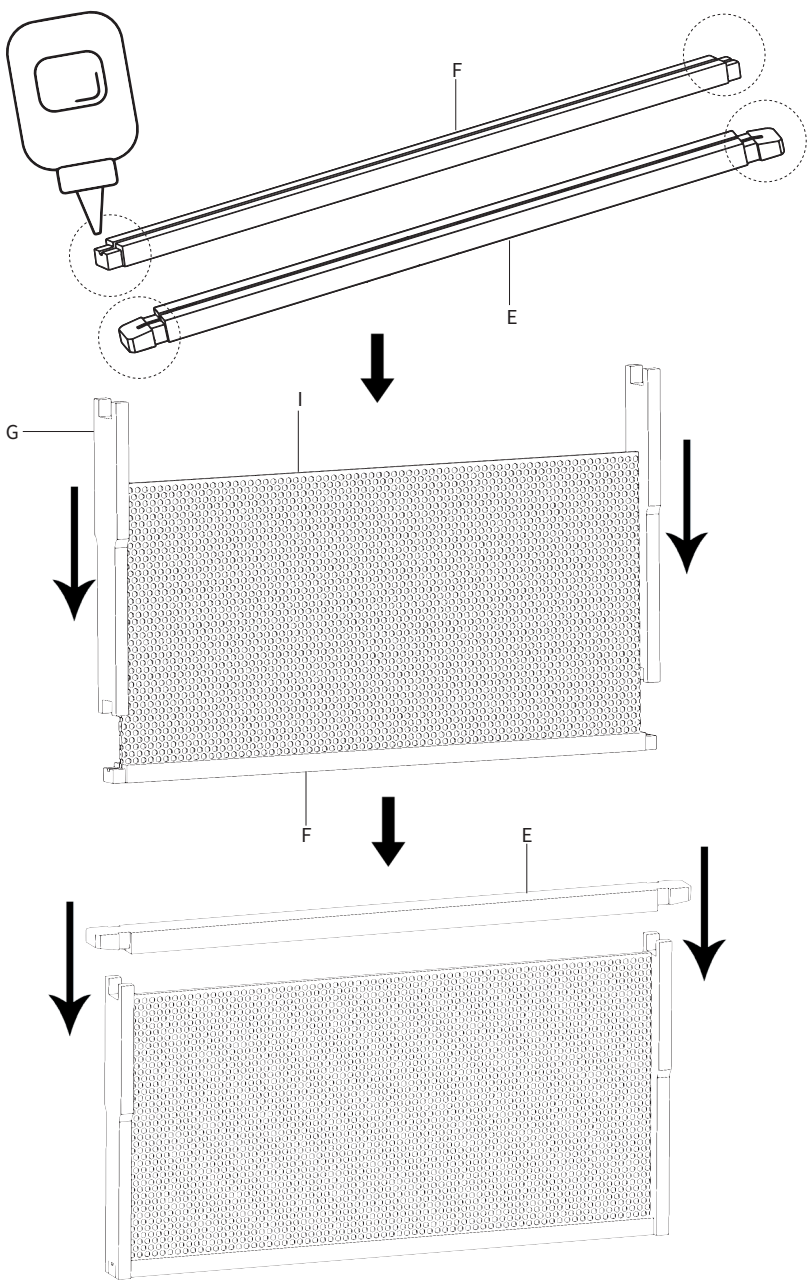
STEP 1

Connect dovetails from Deep Side Panels (**A**) into Deep End Panels (**B**). Repeat this process for Medium Side Panels (**C**) and Medium End Panels (**D**). Insert Brass Hive Body Nails (**S-A**) into predrilled holes and hammer into place.



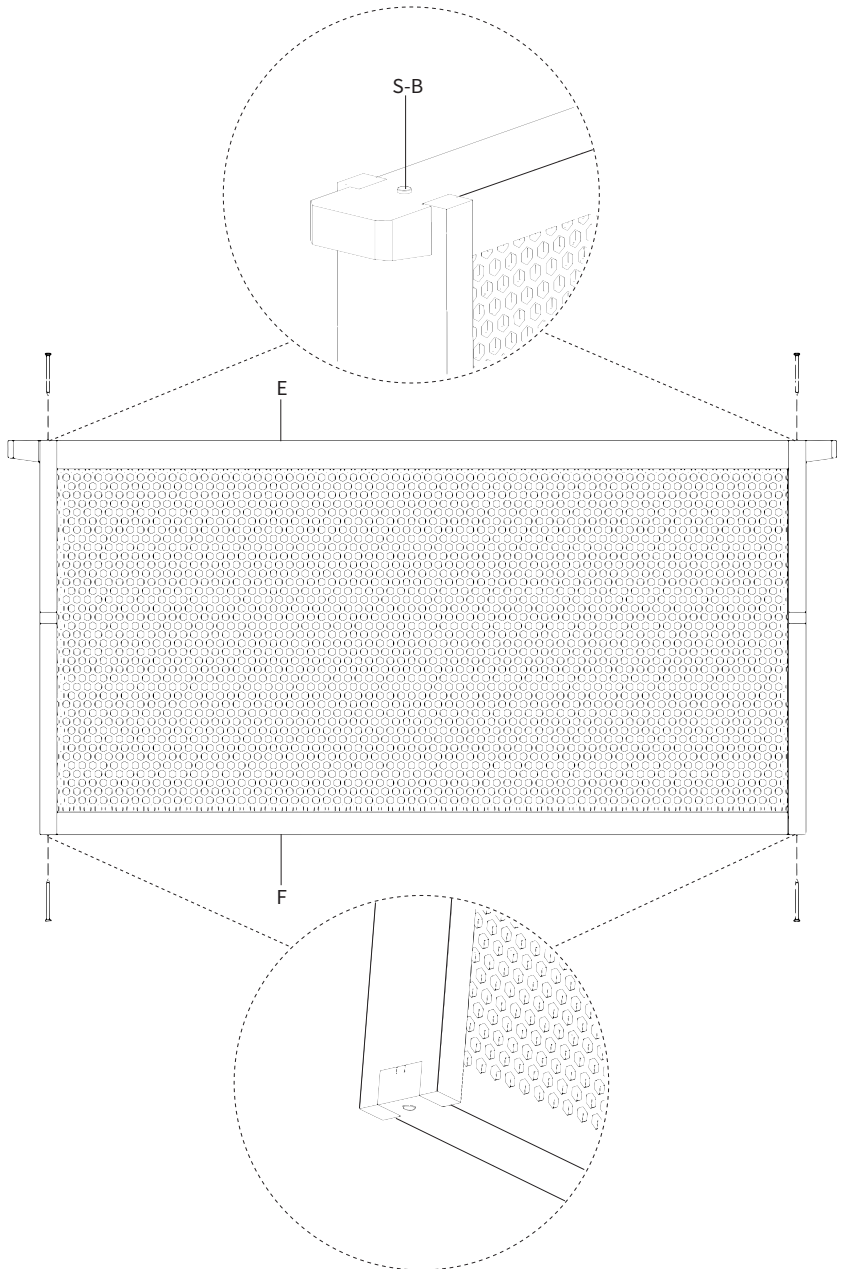
STEP 2

Put a small drop of wood glue on either end of Frame Top Bars (**E**) and Frame Bottom Bars (**F**). Insert Frame Bottom Bars (**F**) into Deep Frame Side Bars (**G**). Place Deep Foundations (**I**) into Frame Bottom Bars (**F**) and insert Frame Top Bars (**E**) into into Deep Frame Side Bars (**G**). Repeat the process for the medium frames using Medium Frame Side Bars (**H**) and Medium Foundations (**J**).



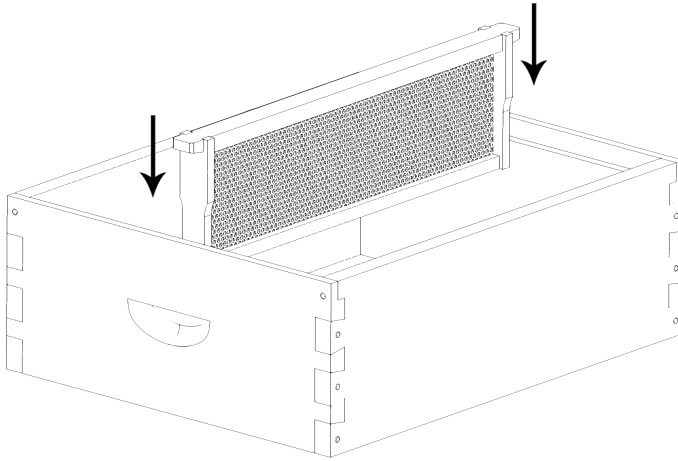
STEP 3

Hammer Silver Foundation Nails (**S-B**) into ends of Frame Top Bars (**E**) and Frame Bottom Bars (**F**) on both deep and medium frames.



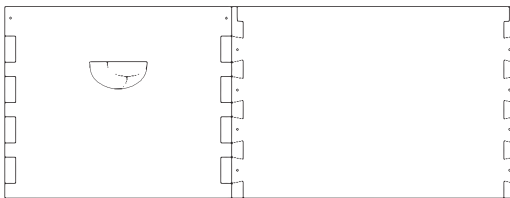
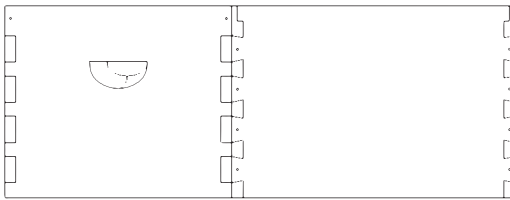
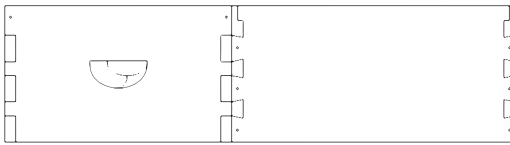
STEP 4

Insert the assembled frames into the corresponding boxes.



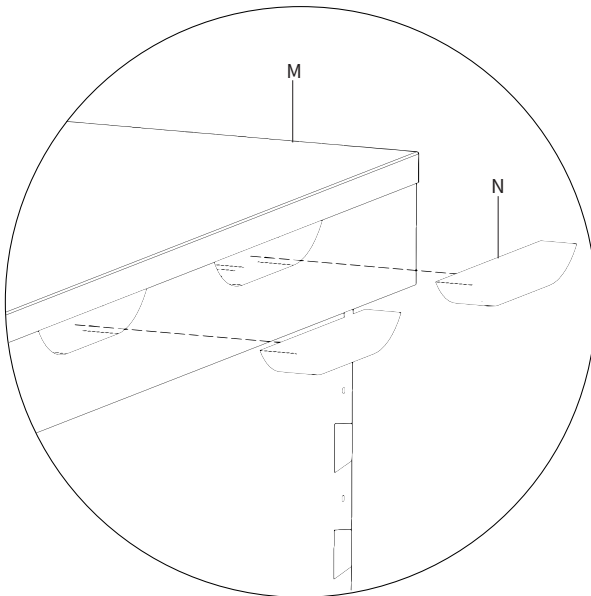
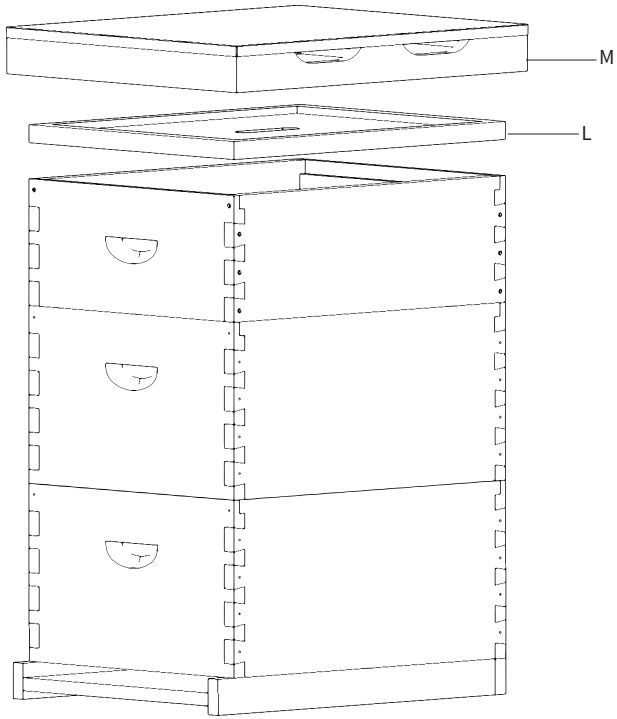
STEP 5

Stack the hive assembly on top of Bottom Board (**K**) in the appropriate configuration for your bees.



STEP 6

Place Inner Cover (**L**) and Telescoping Cover (**M**) onto the hive assembly. Telescoping Cover (**M**) comes with optional Telescoping Cover Cutouts (**N**) that can be inserted into the holes to manage ventilation.





Love your new VIVO setup and want to share?
Tag us in your photo! **@vivo_us**

LAST UPDATED: 11/19/2021
REV1



Open **Monday - Friday 7:00am - 7:00pm** CST,
our dedicated support team can offer immediate assistance with rapid response times. If any parts are received damaged or defective, please contact us. We are happy to replace parts to ensure you have a fully functioning product.



309-278-5303

AVG. RESOLUTION TIME (*within office hrs*): **5M 4S**



www.vivo-us.com
Chat live with an agent!

AVG. RESOLUTION TIME (*within office hrs*): **< 15 M**



help@vivo-us.com

AVG. RESPONSE TIME (*within office hrs*): **1HR 8M**

- 23% within < 15m
- 38% within < 30m
- 61% within < 1hr
- 83% within < 2hr
- 92% within < 3hr

FOR MORE VIVO PRODUCTS, CHECK OUT OUR WEBSITE AT: www.vivo-us.com