

## Application Way

Lets assume the desired humidity range is 68-70% RH.

How to set the humidity on the unit?

1. Long press the up key ▲ , when humidity number flashes, press the up key or down keys, and set the start humidity at 68%.

2. Long press the down key ▼ , when humidity number flashes, press the up key or down keys, and set the stop humidity at 70%.

## Fault Code Description

\* How to restore factory settings?

Connect the power supply, press the switch key for 5 seconds, and wait until the display shows 888. It will jump to the detection of humidity, that is, the factory settings restore.

\* The control panel shows E1

When the screen shows E1, it means the humidity sensor is loose or broken. Tight it or changing a good one is ok.

\* The control panel shows E2

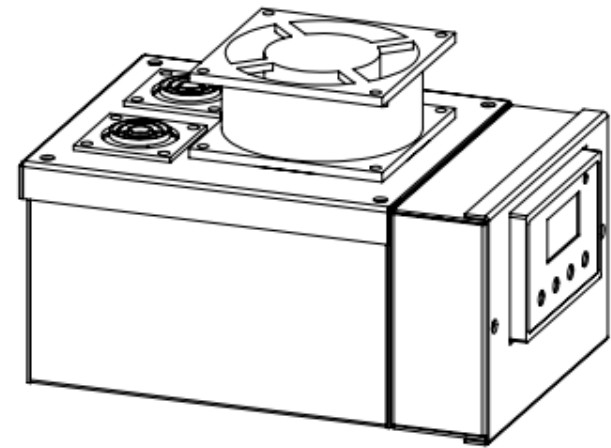
When setting the desired humidity, if you set the lower level a higher number than the higher level the control panel will show E2. To fix this, please reset the humidity range.

\* The display shows the wrong real-time humidity

Suppose the panel display shows the wrong real-time humidity. Long press the setting key(a small hand button), and it shows(06ñ). Second press it, and it shows (F0ñ). Thirdly press it, and it shows "0" . Now, you can do the humidity adjustment, by pressing the up or down key, -9~9%RH to reset the exact humidity data.

# Humidifier

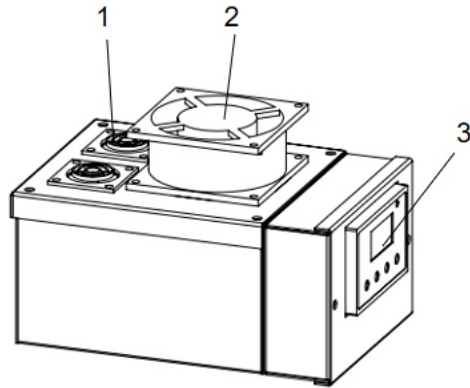
## EB-200



## INSTRUCTIONS

## Humidifier Introduction

The humidifier is easy to operate, noiseless, and has high atomization efficiency. The box body makes of 304 stainless steel. It is small in size, beautiful in appearance, and easy to check. Humidifier is equipped with a fan and absorbent beads inside.



### 1. Water inlet mesh enclosure

The place can add the water.

### 2. Fan

Blowing water mist, humidifying effect.

### 3. Humidity control panel and the humidity sensor

Humidity sensor can put on the humidifier or the place want to test the RH.

## Humidifier parameter

Name:	Humidifier
Model:	EB-200
Power supply:	110VAC-1 Phase-60Hz
Power Consumption:	13W
Net Weight:	4.41 lbs
Gross Weight:	5.29 lbs
Product Dimensions:	7.87"*4.92"*4.61"
Carton Dimensions:	10.24"*7.48"*7.48"
Working Temperature:	33-104°F
Feed Water Temperature:	33-95°F
Water Supply Quality:	Distilled Water


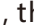


## Operation

### 1. Connect the power supply.

The screen shows status "OFF", press the switch key, then the screen shows the current humidity inside the room.

Press the up key  or down key  to see the set humidity range. The initial target humidity range is 67%-71%RH.

### 2. Set the start and the stop humidity

Press 3 seconds to turn on the up key  or down key , then the screen will start flashing. Press the up key  or down key  again, to set the start humidity. When the flashing stops and the unit exits the edit mode.

### 3. Add water to the water level

Add moderate water into the water tank from the water inlet mesh enclosure. Also the white bead, it will take up to 24 hours for the beads to absorb the water, but, you can use the unit immediately.

The beads are refillable but should replace at least one time per year. Never overfill, it will block airflow.