

# UBER APPLIANCE

---

## SORBET MAKER USER GUIDE





# CONGRATULATIONS AND WELCOME TO UBER APPLIANCE!

---

At Uber Appliance, we strive to provide the most modern-styled home kitchen appliances on the market. Our ever-growing catalog of sleek style and innovation is designed for the modernists, idealists, and perfectionists. It is our goal to ensure a great experience to all our valued customers by bringing only the highest quality appliances into your kitchen.

The Uber Appliance brand was built on the ideologies of consumer experience, innovation and most importantly, product quality. We set out on a mission to manufacture and offer modern kitchen tools that are not only built with the latest and greatest technology, but that are built to last at an affordable price. Consumers around the globe can finally enjoy picturesque, chef-grade meals without the chef-grade price.

This User Guide is intended for you to get to know your newly acquired Uber Appliance product from A to Z. Before you start whipping up magic in the kitchen, we highly recommend that you fully understand how to properly use your new Uber Appliance to decrease the risk of damage, misuse, and most importantly, injury.

For any questions on inquiries, please feel free to reach out to us via email at:  
[Contact@KNGinternational.com](mailto:Contact@KNGinternational.com)

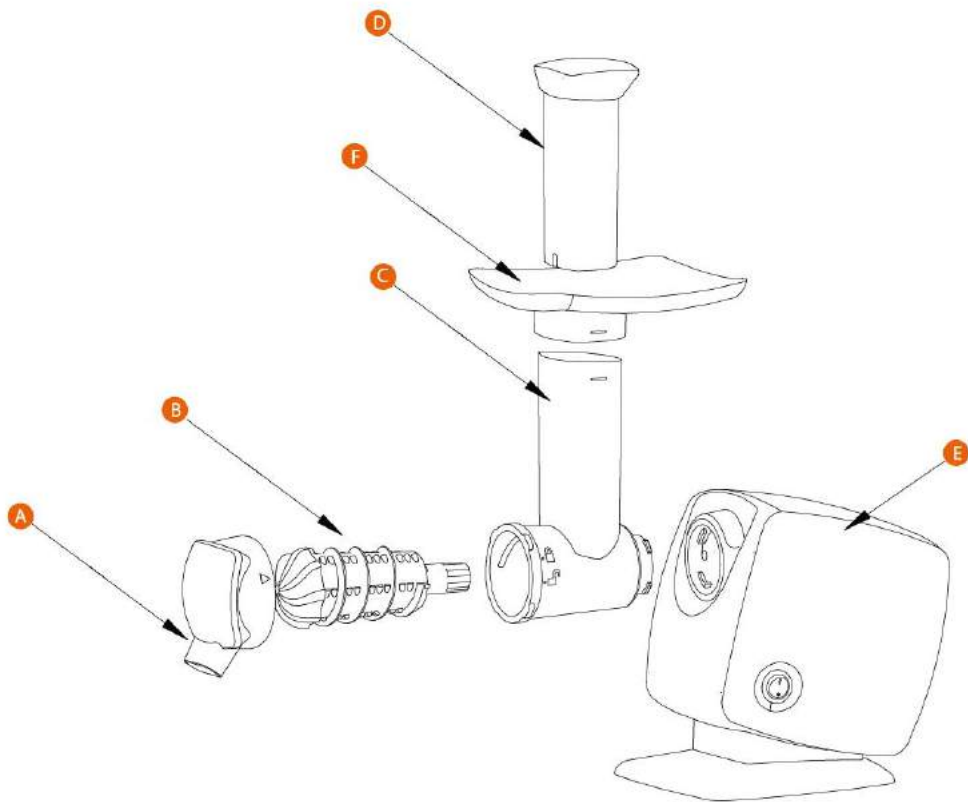
And once again, Welcome to the Uber Family!

---

**UBER** APPLIANCE

## FEATURES AND CONTROLS

---



- A. SORBET DISPENSER
- B. GRINDING MECHANISM
- C. CHUTE
- D. PLUNGER
- E. HOUSING
- F. OVERFILL TRAY

# OPERATING YOUR SORBET MAKER

---

## Before Turning on Your Sorbet Maker:

Make sure to remove all packaging material, plastic, stickers, and paperwork from both inside and outside of your Uber Sorbet Maker. Make sure to wipe down the inside of the housing before use. Please read this manual carefully and thoroughly.

---

## Use and Care:

This Device is intended for household use and exclusively to process frozen fruit such as bananas, mangos, kiwi, peaches, apples, strawberries, pineapples, etc., to create ice cream (sorbet). This machine is not intended for commercial use.

Any modification to this device shall be considered improper and will void any warantee and/or liability from Uber Appliance.

Do not modify this appliance in any way. Unauthorized modiciation may impair the function and/or safety of the appliance and could decrease the lifespan of the appliance.

Prior to every use, always check for damage for your safety.

When not in use, store the Sorbet Maker in a secure place that is out of the reach of children.



# OPERATING YOUR SORBET MAKER

---

## Safety:

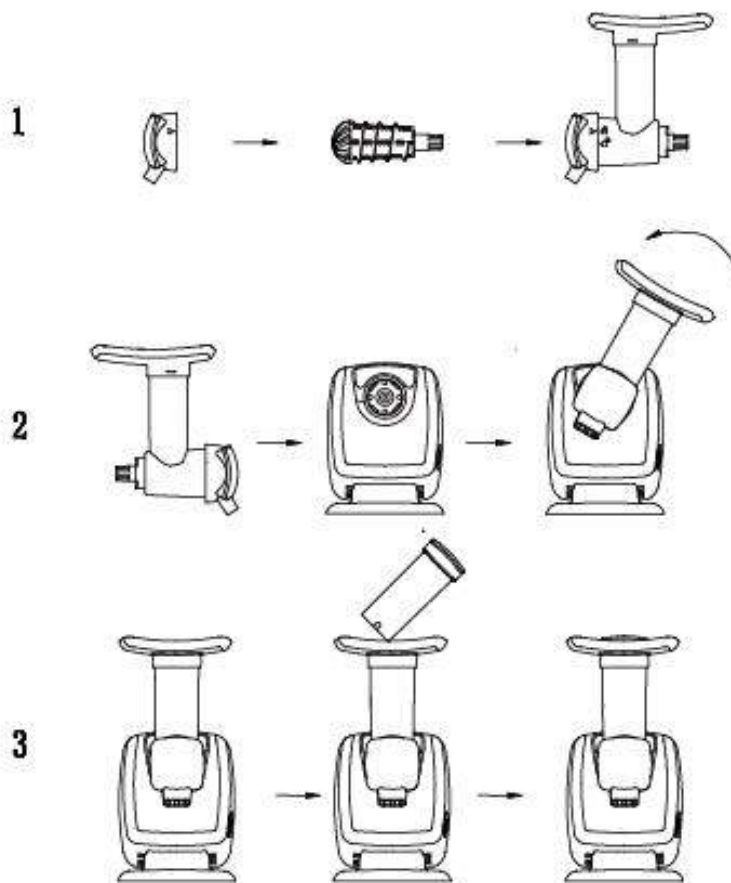
1. Before connecting the sorbet maker, confirm the voltage of the supply is appropriate.
2. Always turn the unit OFF prior to plugging and unplugging it from the power supply
3. Indoor use only. Never introduce the unit to water, rain or moisture.
4. Only assemble and disassemble the unit when outside the reach of children.
5. Do not leave the appliance unattended while it is on.
6. Always ensure that the device is safely and appropriately assembled before turning it on.
7. Do not reach into the feed tube. Always use the food pusher to avoid injury.
8. This device is not suitable for crushing ice blocks or any hard foods.
9. Keep your hair, clothing or anything dangling such as jewelry away from the moving parts.
10. Check the appliance and its components regularly for damages. Do not use the appliance if it is damaged in any way. Have it immediately repaired by a professional.
11. If the power cord is damaged, it must be replaced immediately. Contact Uber Appliance for a replacement.
12. No warranty claims will be accepted if the product has been misused.
13. Do not try to open the housing yourself.
14. Do not operate the unit continuously for more than 2 minutes. Allow the unit to cool completely before using again.
15. The manufacturer does not recommend the use of accessory attachments. Use of accessory attachments that are not authorized by Uber Appliance may cause damage to the product or worse, injury to the operator.
16. Make sure that the chute, grinder and dispenser are securely locked into place before powering on and operating.
17. Position the appliance close to the outlet to avoid it being unplugged during operation.
18. Do not place on or near a hot gas or electric burner or stove.
19. If a longer extension cord is used with this product, make sure that it does not reach into the appliance in order to avoid tearing and potential harm.
20. Make sure the cord does not touch any hot surface or cross a sharp edged object.
21. Be sure to set up and assemble the Uber Appliance Sorbet Maker on a flat, non-slip surface close to an electrical socket.

# OPERATING YOUR SORBET MAKER

## Assembly:

1. Insert and lock the tray on the chute top properly. Insert the grinder into the chute. Be sure that the gasket is properly in place inside of the dispenser. Then install the dispenser into the chute by inserting it into the front of the housing and rotating counterclockwise to lock it in place.
2. Insert the grinder into the housing and rotate counterclockwise to lock the chute assembly in place.
3. Insert the plunger in the top opening of the chute.

Note: Please see diagram below:

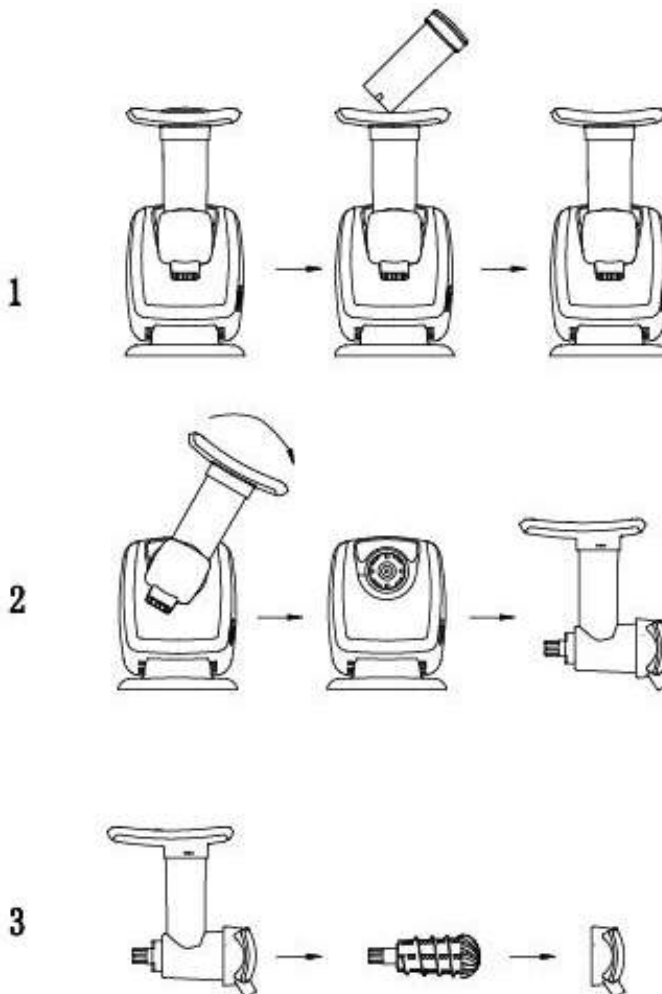


# OPERATING YOUR SORBET MAKER

## Disassembly:

1. Switch off the power and unplug the device. Afterwards, take the plunger out of the chute.
2. Remove the chute assembly by rotating it clockwise in relation to the housing.
3. Remove the dispenser from the chute assembly by rotating it clockwise. Afterwards, remove the grinder from the chute and the tray from the chute top.

Note: Please see diagram below:





# OPERATING YOUR SORBET MAKER

---

## *Device Tips for Use:*

WARNING: Never touch the internals of the product when it is plugged in or in operation!

- To make sure no harm is done to your hands, be sure to use the plunger. Never use your hands or utensils to push fruit into the chute of the appliance.
- Use the device only for normal household frozen fruits. Never use the appliance for ice cubes/blocks or hard food.
- In order to ensure that the fruit comes out as a soft sorbet, remove frozen fruits from refrigerator and allow 5-10 minutes for the fruits to thaw slightly before operation.
- Do not operate the appliance continuously for more than two minutes. Allow it to cool properly prior to using again.
- Do not operate too long with the device being empty (without fruit inside).
- Uber Appliance recommends that you chop your fruit into smaller pieces before placing them into the Sorbet Maker. This will make it easier to push down with the plunger and also give you a nicer sorbet.

---

## *Cleaning the Sorbet Maker:*

- It is necessary to clean the device attachments, chute, plunger, grinder and tray completely after every use excess food build up could accumulate and damage the sorbet maker over time.
- Do not wash and immerse the housing in water.
- Do not use sharp or abrasive cleaning tools.
- Make sure the Sorbet Maker is unplugged prior to cleaning it.
- Wipe the housing down with a clean, damp cloth and then a dry cloth.
- Dishwasher use is not recommended on this product.

SORBET MAKER USER GUIDE

---



---

[WWW.UBERAPPLIANCE.COM](http://WWW.UBERAPPLIANCE.COM)

[CONTACT@KNGINTERNATIONAL.COM](mailto:CONTACT@KNGINTERNATIONAL.COM)