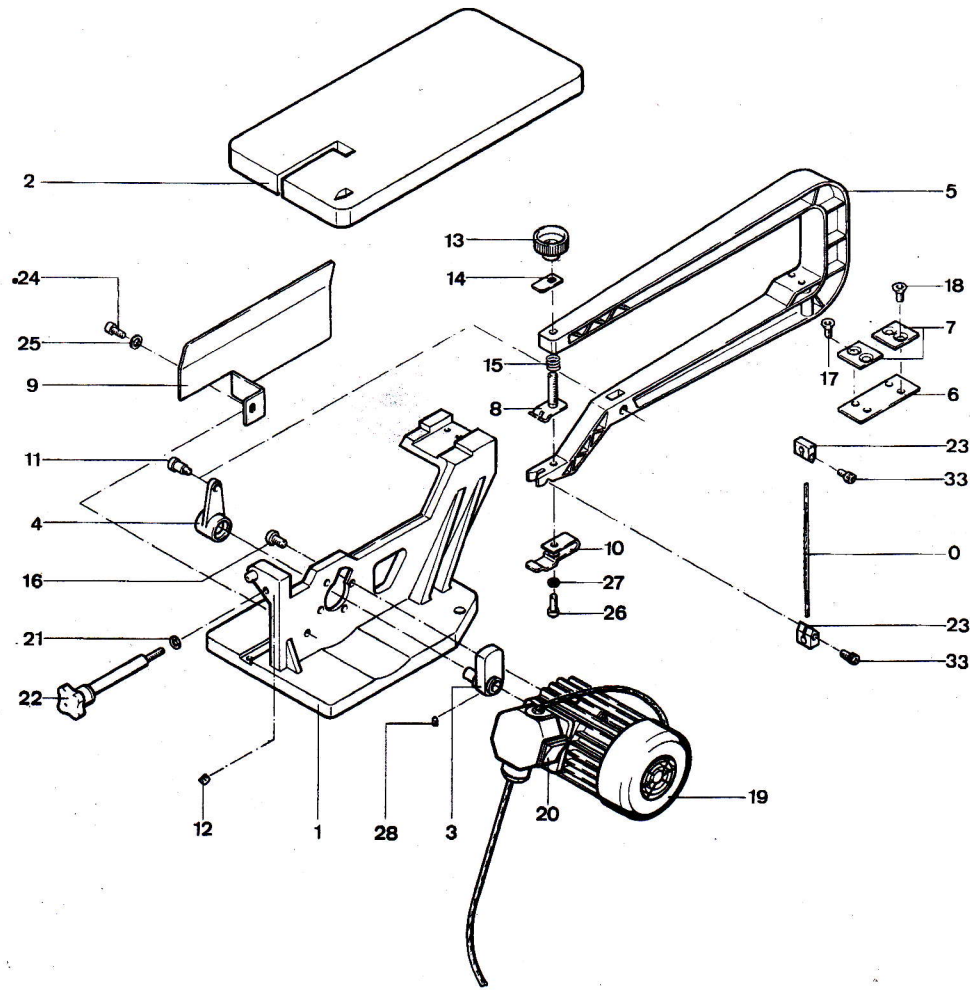


# MULTIMAX-1



- |                       |                      |
|-----------------------|----------------------|
| 1 Base                | 16 Screw             |
| 2 Table               | 17 Screw             |
| 3 Eccentric           | 18 Screw             |
| 4 Connector           | 19 Motor             |
| 5 C-Arm               | 20 Switch            |
| 6 Connector           | 21 Washer            |
| 7 Plate               | 22 Thumbscrew        |
| 8 Clamp Carriage      | 23 Blade Clamp       |
| 9 Guard               | 24 Screw             |
| 10 Spring Clampholder | 25 Washer            |
| 11 Screw              | 26 Screw             |
| 12 Marker             | 27 Lockwasher        |
| 13 Tensioning Screw   | 28 Screw             |
| 14 Retainer           | 33 Blade Clamp Screw |
| 15 Spring             |                      |