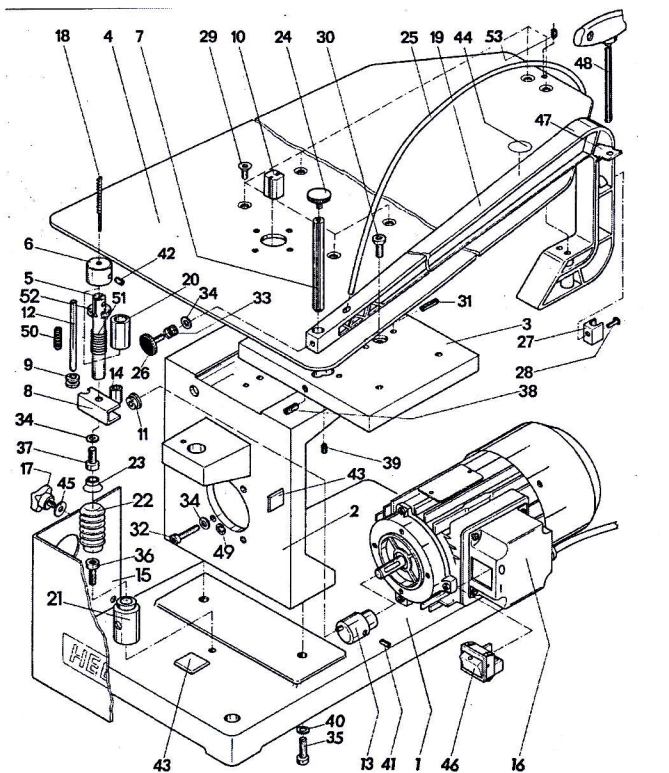


17. Parts explosion



- | | | |
|---------------------|--|-------------------------|
| 1 Baseplate | 23 bumper | 44 sticker |
| 2 motor carrier | 24 knurled screw | 45 washer |
| 3 guid holder | 25 hose | 46 On/off switch |
| 4 table plate | 26 knurled screw | 47 socket wrench holder |
| 5 spoolrod | 27 hose clamp | 48 socket wrench |
| 6 clamping sleevev | 28 rivet for hose clamp
(grooved pin) | 49 lock washer |
| 7 upper gid | 29 countersunk screw | 50 compression spring |
| 8 link | 30 hexagon socket screw | 51 compression spring |
| 9 guide sleevev | 31 spring dowel sleeve | 52 felt washer |
| 10 saw glade guide | 32 hexagon socket screw | 53 set screw |
| 11 roller | 33 compression spring | |
| 12 dowel pin | 34 washer | |
| 13 eccentric | 35 hexagon socket screw | |
| 14 spacer tube | 36 hexagon socket screw | |
| 15 cover | 37 hexagon socket screw | |
| 16 motor | 38 set screw | |
| 17 clamping lever | 39 set screw | |
| 18 saw blade no. 5 | 40 lock washer | |
| 19 guide arm | 41 set screw | |
| 20 sintered bearing | 42 set screw | |
| 21 pump base | 43 bumper | |
| 22 pump bellows | | |