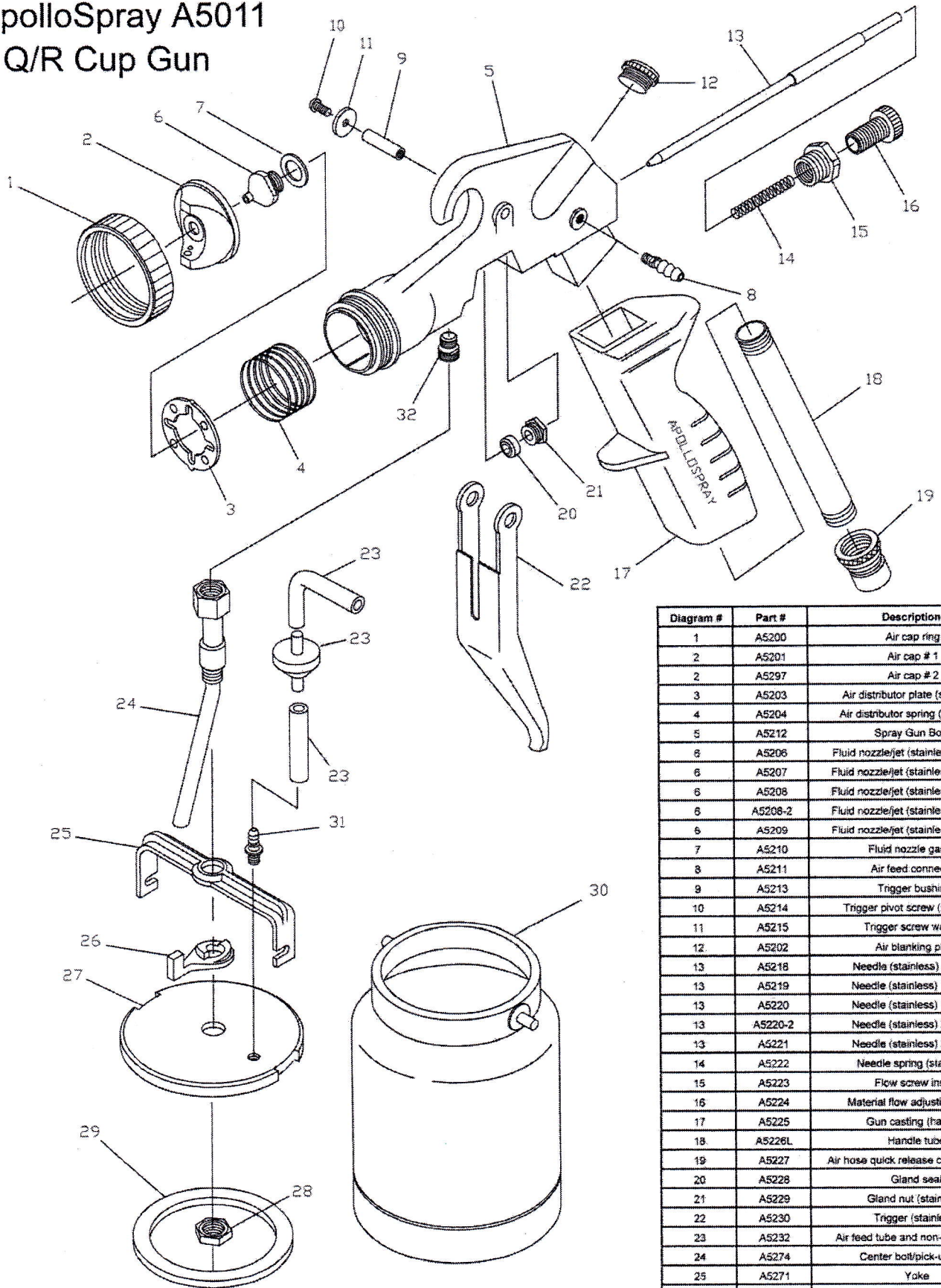


ApolloSpray A5011 Q/R Cup Gun



Parts List & Diagram 760-727-8300

Diagram #	Part #	Description
1	A5200	Air cap ring
2	A5201	Air cap # 1
2	A5297	Air cap # 2
3	A5203	Air distributor plate (stainless)
4	A5204	Air distributor spring (stainless)
5	A5212	Spray Gun Body
6	A5206	Fluid nozzle/jet (stainless) .75MM
6	A5207	Fluid nozzle/jet (stainless) 1.00MM
6	A5208	Fluid nozzle/jet (stainless) 1.50MM
6	A5208-2	Fluid nozzle/jet (stainless) 2.00MM
6	A5209	Fluid nozzle/jet (stainless) 2.50MM
7	A5210	Fluid nozzle gasket
8	A5211	Air feed connector
9	A5213	Trigger bushing
10	A5214	Trigger pivot screw (stainless)
11	A5215	Trigger screw washer
12	A5202	Air blanking plug
13	A5218	Needle (stainless) .75MM
13	A5219	Needle (stainless) 1.00MM
13	A5220	Needle (stainless) 1.50MM
13	A5220-2	Needle (stainless) 2.00MM
13	A5221	Needle (stainless) 2.50MM
14	A5222	Needle spring (stainless)
15	A5223	Flow screw insert
16	A5224	Material flow adjusting screw
17	A5225	Gun casting (handle)
18	A5226L	Handle tube
19	A5227	Air hose quick release coupler (male)
20	A5228	Gland seal
21	A5229	Gland nut (stainless)
22	A5230	Trigger (stainless)
23	A5232	Air feed tube and non-return valve
24	A5274	Center bolt/pick-up tube
25	A5271	Yoke
26	A5278	Lever
27	A5270	Cup top casting
28	A5272	Cup top lock nut
29	A5280	Cup top gasket (White poly)
30	A5275	Quick release cup
31	A5324	Air stem Q/R cup
32	A5254	Fluid connector 3/8" (stainless)