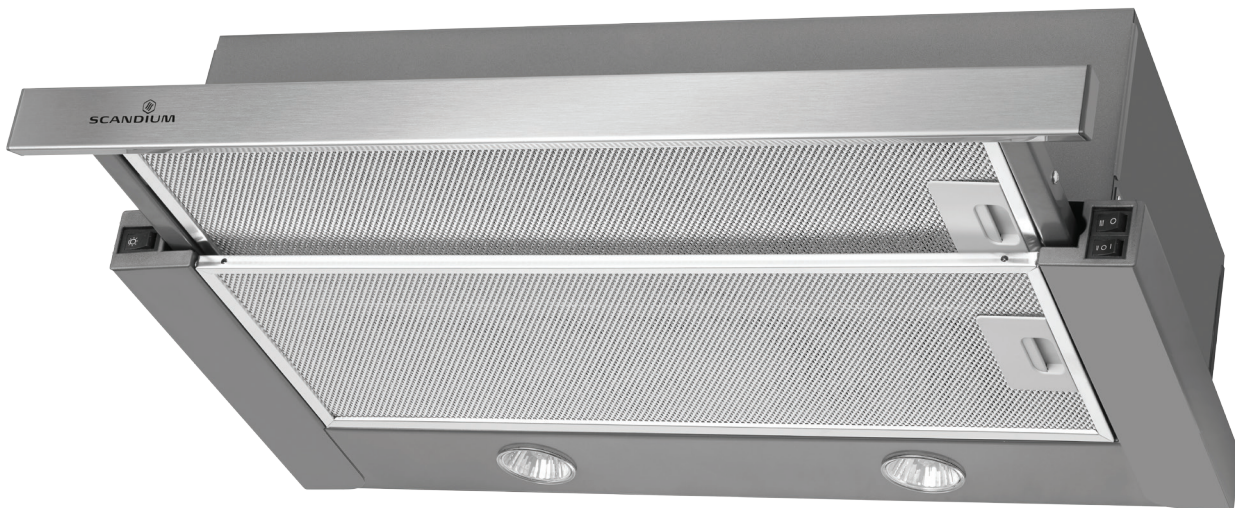




SLIDE-OUT RANGEHOOD // 60cm

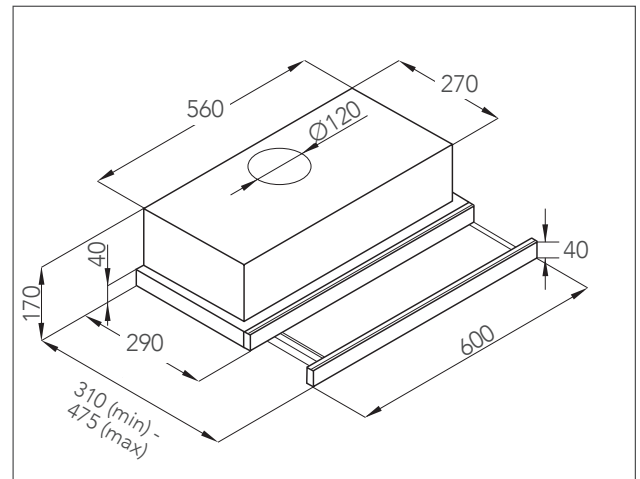
SCRH60



- **Slide-out convenience** - quality slide-out telescopic design ideal for hiding away for a more compact rangehood solution.
- **Quality lighting** - cooking zone is well lit with 2 high quality GU10 halogen lights.
- **System Space Filter** - gives highly efficient absorption, approximately 20% increase in efficiency, grease filters are easy to remove and dishwasher safe.

INSTALLATION A qualified, professional technician is recommended.

CLEANING AND MAINTENANCE Easy clean stainless steel fascia using only recommended stainless steel cleaning products. No abrasives, corrosive detergents, bleaches or acids are required.



Functions & Equipment

- Stainless Steel fascia
- Telescopic slide-out rangehood
- Automatic start
- 2 aluminium grease filters
- 3 speed motor with button controls
- Halogen light: 2 x 20 W



Scandium® kitchen appliances covered by a 3 Years Warranty, and is serviced by our experienced Australian Customer Care network.

Product specifications subject to change without notice, images are for illustrative purposes only. Please check final product details with your retailer. © 2017. Axis Group International Pty Ltd.

AUSTRALIA 8/3-4 Anzed Court, Mulgrave VIC 3170.
Phone 1300 881 693 Email info@scandiumappliances.com.au
Web www.scandiumappliances.com.au

NEW ZEALAND 5 Tolich Place, Henderson, Auckland 0610.
Phone 0800 200 510 Email info.parex@emerson.com
Web www.parex.co.nz