



SCU900B UPRIGHT COOKER / GAS-ELECTRIC // 90cm

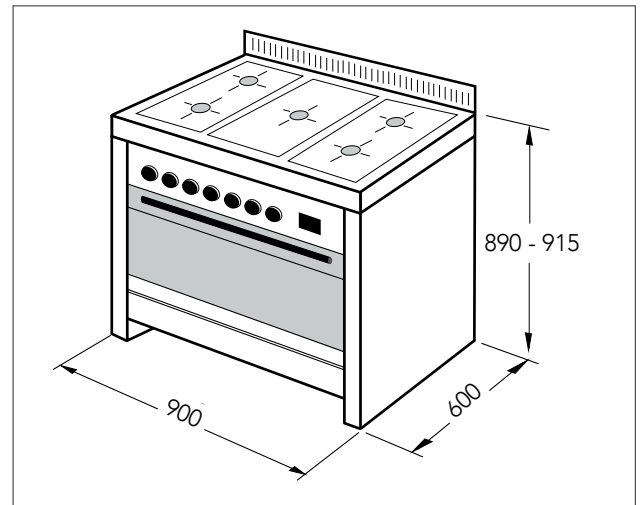


- **8 Multi-function oven** - Offers a range of cooking functions to cook a wide variety of dishes. Available in stainless steel and a range of exciting colours.
- **5 burner gas cooktop** - With heavy duty cast iron trivets.
- **Centre Wok Burner** - High efficiency burner (15MJ).
- **Storage compartment** - Store away racks and trays not being used.

INSTALLATION BY A QUALIFIED TECHNICIAN Oven requires connection with a dedicated circuit from socket to main switchboard. Refer qualified technician to our product manual. Natural Gas and LPG jets supplied.

CLEANING AND MAINTENANCE Easy clean enamel interior. Clean stainless steel using only recommended stainless steel cleaning products. No abrasives, corrosive detergents, bleaches or acids.

- **Fully Programmable Electronic Timer** - Set start/finish time; the oven will switch off when cooking time expires.
- **Triple Glazed Oven Door** - reflective Easy Release Door; cool-touch due to ventilation through the 3 panes. Inner pane reflects the heat back into the oven. All 3 layers of glass are easily removed for cleaning.
- **Twin Fans** - Hot air is distributed evenly inside the oven, cooking food to perfection.
- **XL Cavity** - 121L gross oven cavity, designed to offer optimal usable space whilst guaranteeing precise thermal retention.
- **Child Lock** - Prevents the oven from being accidentally turned on.
- **Flame Failure Safety Device** - Senses if the flame has been extinguished and will disconnect gas flow.



Functions & Equipment

- 8 Functions: Fan Forced, Fan Assisted, Fan & Grill, Grill, Fan Assist + Bottom Element, Conventional Oven, Defrosting, Oven Light
- Fully Programmable Electronic Timer
- Triple Glazed Oven Door
- Easy Clean Enamel
- Twin Fans
- Child Lock
- Storage compartment
- Centre Wok Burner
- Electronic ignition
- Flame Failure Safety Device
- Heavy Duty Cast Iron supports

Technical Data

- Material: Stainless Steel
- XL Oven Cavity: volume: 121L gross
- Rated Input: 240V / 50-60Hz
- 1 x Wok Burner: 21-27cm, NG 15.0MJ/h; LPG 12.9MJ/H
- 2 x Semi-rapid Burner: 13-18cm, NG 6.9MJ/h; LPG 6.3MJ/H
- 1 x Auxillary Burner: 9-16cm, NG 3.8MJ/h; LPG 3.8MJ/H
- 1 x Rapid Burner: 15-26cm, NG 11MJ/h; LPG 10.8MJ/H
- 15 Amp lead and plug supplied

121L



Scandium® kitchen appliances covered by a 3 Years Warranty, and is serviced by our experienced Australian Customer Care network.

address: 8/3-4 Anzed Court, Mulgrave VIC 3170
phone: 1300 829 066
email: sales@scandiumappliances.com.au
web: www.scandiumappliances.com.au