



# ELECTRIC BUILT-IN OVEN // 60cm

SCEO10



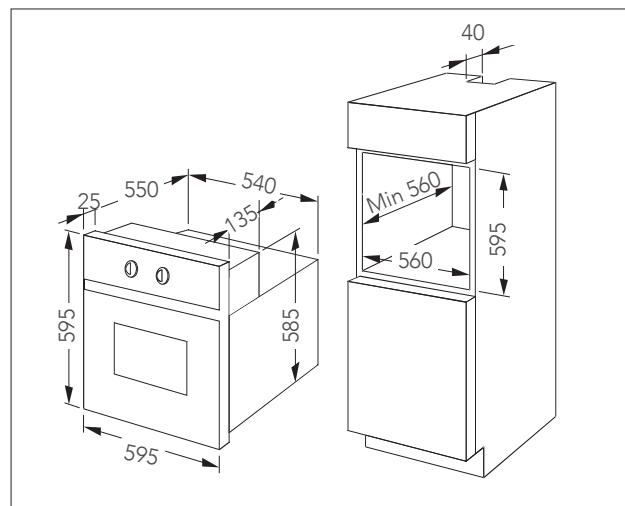
- **Sensor Timer** - programs cooking time and automatic oven switch off setting.
- **Retractable Dials** - flush fitting controls 'pop out' for use and push-in when finished.
- **Rapid Preheating** - heats to 150°C in 4 minutes, 20% faster than the standard heating time
- **Defrosting** - perfect for defrosting meat, fish, bread or pastries.
- **Large capacity** - cavity designed to accommodate a super large 73 litres gross.
- **Cool touch** - reflective glass on the inside of the door significantly reduces the temperature on the outside.
- **Super grill** - top element and grill element combined, provides intense heat which makes the grilling process faster and more efficient.

## 11 FUNCTIONS

- |  |   |  |   |
|--|---|--|---|
|  | Fan forced with circular element + bottom element (great for pizza) |  | Full grill                              |
|  | Fan assisted top + bottom element                                   |  | Top element + grill (super grill)       |
|  | Fan forced with circular element                                    |  | Top element + grill + fan (super grill) |
|  | Convection (top + bottom element)                                   |  | Defrosting (fan only)                   |
|  | Bottom element  |  | Rapid pre-heating                       |
|  |   |  | Light                                   |

**INSTALLATION** Oven requires a dedicated 15 amp circuit hardwired connection to main switchboard. Refer your qualified technician to our product manual.

**CLEANING AND MAINTENANCE** Easy clean enamel interior. Clean stainless steel using only recommended stainless steel cleaning products. No abrasives, corrosive detergents, bleaches or acids are required.



### Functions & Equipment

- 11 Multi Functions
- Stainless steel finish
- Electronic timer
- Retractable dials
- Rapid Pre-heating
- Defrosting
- Telescopic guides
- Side racks
- Easy clean enamel interior
- Reflective inner door glass
- 1 x baking tray
- 1 x grill rack
- Triple glazed door

### Technical Data

- Oven volume: 65L net / 73L gross
- Total power: 3.1 kW

**73L**



Scandium® kitchen appliances covered by a 3 Years Warranty, and is serviced by our experienced Australian Customer Care network.

Product specifications subject to change without notice, images are for illustrative purposes only. Please check final product details with your retailer. © 2017. Axis Group International Pty Ltd.

AUSTRALIA 8/3-4 Anzed Court, Mulgrave VIC 3170.  
Phone 1300 881 693 Email [info@scandiumappliances.com.au](mailto:info@scandiumappliances.com.au)  
Web [www.scandiumappliances.com.au](http://www.scandiumappliances.com.au)

NEW ZEALAND 5 Tolich Place, Henderson, Auckland 0610.  
Phone 0800 200 510 Email [info.parex@emerson.com](mailto:info.parex@emerson.com)  
Web [www.parex.co.nz](http://www.parex.co.nz)