



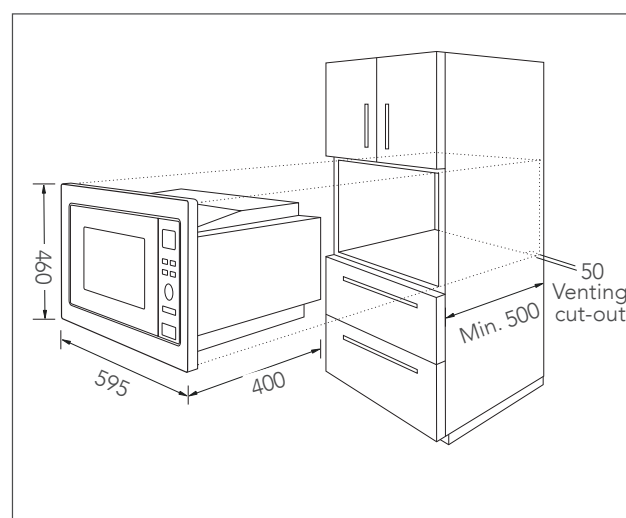
# COMBI MICROWAVE OVEN // 60cm

SC28LMO



- **Auto menu** - 8 pre-sets allow quick selection of pre-programmed settings for pizza, meat, vegetables, pasta, potatoes, fish, beverages, or popcorn.
- **Built-in design** - Stylish European design with stainless steel-finished buttons for seamless integration into any kitchen.

- **Large Capacity** - 28 litre larger cooking space compared to a conventional turntable microwave, with room for dishes of any form and size.
- **Defrosting** - defrost by time or weight and reheat function makes meal preparation easier.
- **Microwave or Grill** - start with the defrosting function then switch over to the integrated grill for that perfect crispy or delicious crusted top finish Combine cooking methods – microwave, grill, or combine them both to perfectly finished dishes made faster and easier.



**INSTALLATION** A qualified, professional technician is recommended.

**CLEANING AND MAINTENANCE** Easy clean stainless steel fascia using only recommended stainless steel cleaning products. No abrasives, corrosive detergents, bleaches or acids are required.

## Functions & Equipment

- Extra large interior – 28 Litre
- Stainless Steel interior
- Grill function
- Microwave function with 8 pre-set menus
- 4 programs – defrost by weight, defrost by time, speedy cooking and multi-stage cooking
- Lock function
- European design
- Glass turntable
- Grill rack
- Kitchen timer clock
- LED interior light

## Technical Data

- Cavity capacity 28L
- Product dimensions: (W x D x H) 595 x 400 x 460 mm
- Microwave input: 1450W
- Microwave output: 900W
- Grill output power: 1100W

**28L**



Scandium® kitchen appliances covered by a 3 Years Warranty, and is serviced by our experienced Australian Customer Care network.

Product specifications subject to change without notice, images are for illustrative purposes only. Please check final product details with your retailer. © 2017. Axis Group International Pty Ltd.

AUSTRALIA 8/3-4 Anzed Court, Mulgrave VIC 3170.  
Phone 1300 881 693 Email [info@scandiumappliances.com.au](mailto:info@scandiumappliances.com.au)  
Web [www.scandiumappliances.com.au](http://www.scandiumappliances.com.au)

NEW ZEALAND 5 Tolich Place, Henderson, Auckland 0610.  
Phone 0800 200 510 Email [info.parex@emerson.com](mailto:info.parex@emerson.com)  
Web [www.parex.co.nz](http://www.parex.co.nz)