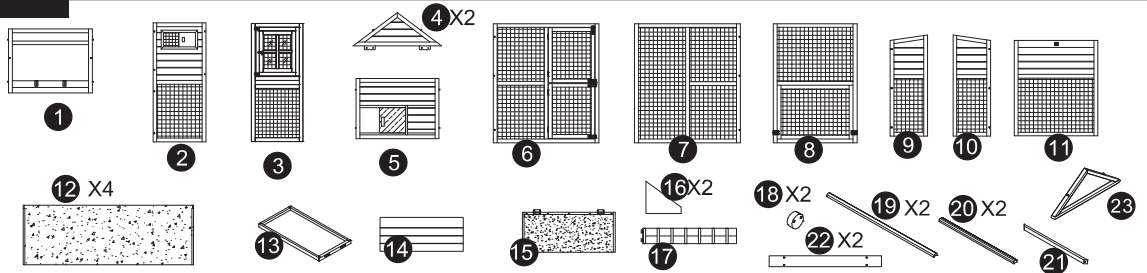


# Coops & Feathers™

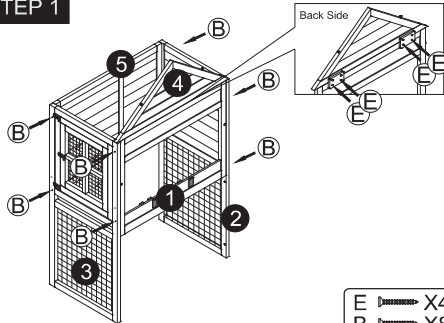
Easy-to-Build, Backyard Chicken Coops

MODEL#220-39

- (A) 3.5x60mm 10PCS
- (B) 3.5x40mm 24PCS
- (C) M6x50mm 2PCS
- (D) 3.5x35mm 24PCS
- (E) 3.5x25mm 20PCS
- (F) 3.0x16mm 6PCS
- (G) 1PC

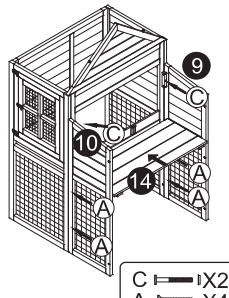


### STEP 1



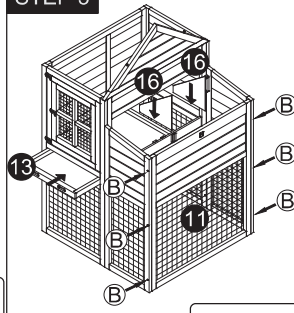
- E X4
- B X8

### STEP 2



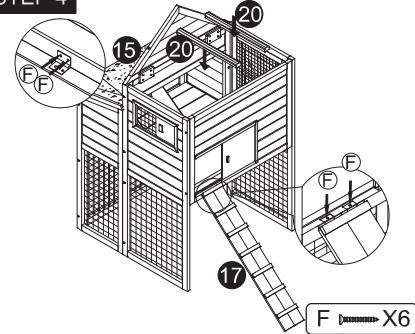
- C X2
- A X4

### STEP 3



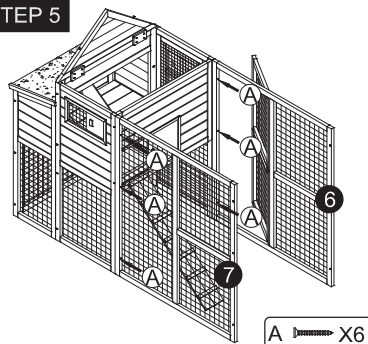
- B X6

### STEP 4



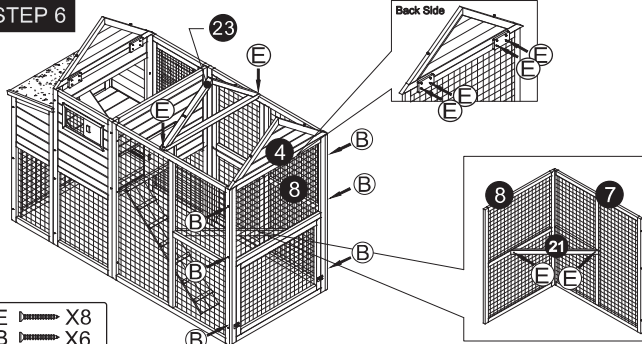
- F X6

### STEP 5



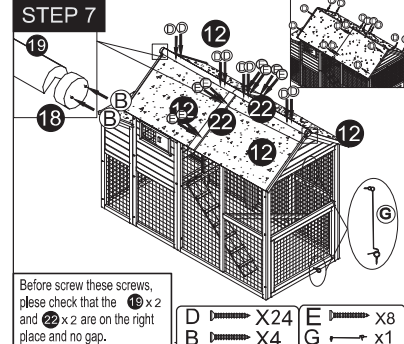
- A X6

### STEP 6



- E X8
- B X6

### STEP 7



Before screw these screws, please check that the 16 x 2 and 22 x 2 are on the right place and no gap.

- D X24
- B X4
- E X8
- G X1