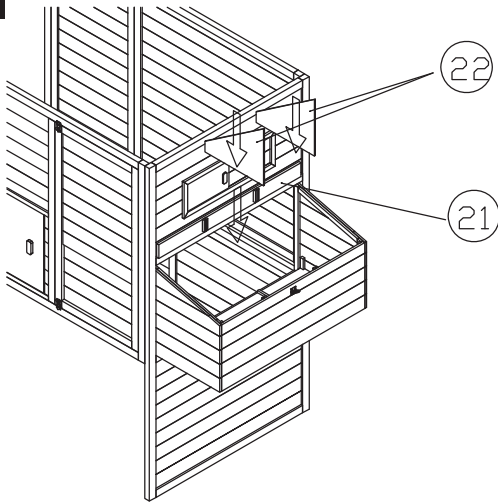
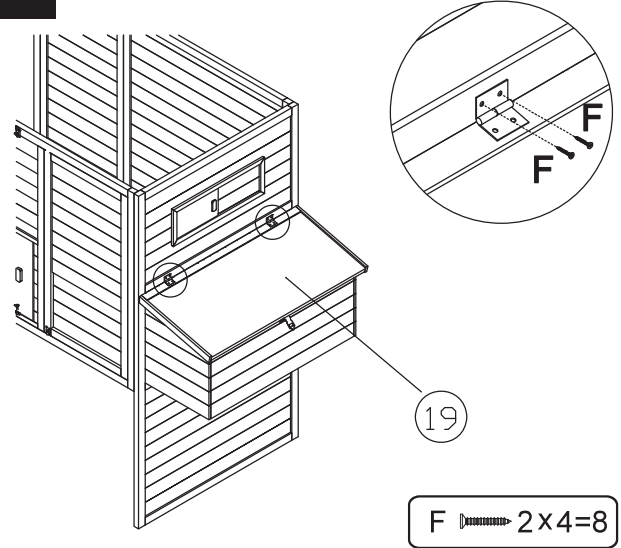


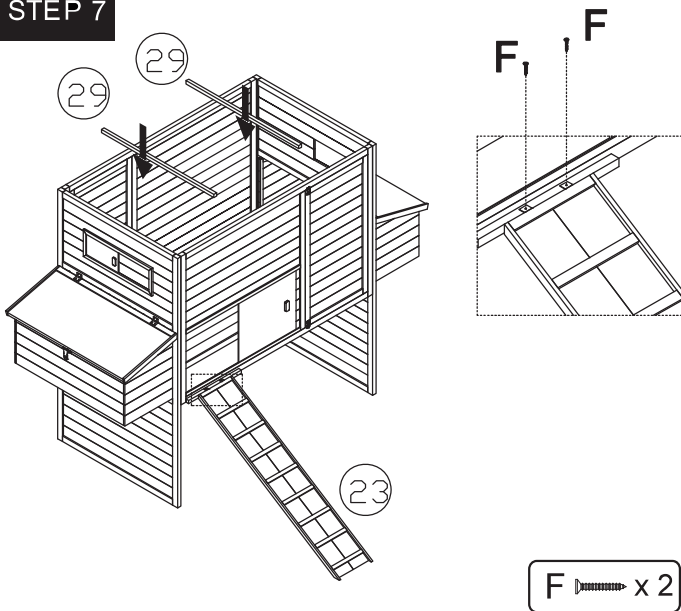
STEP 5



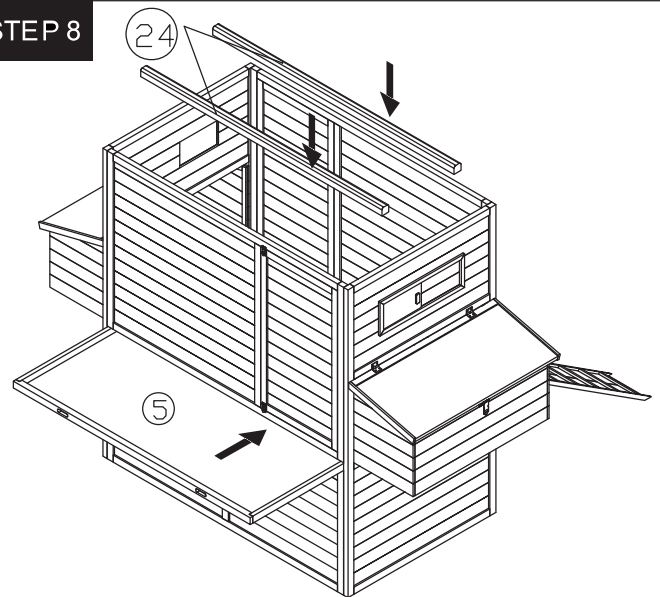
STEP 6



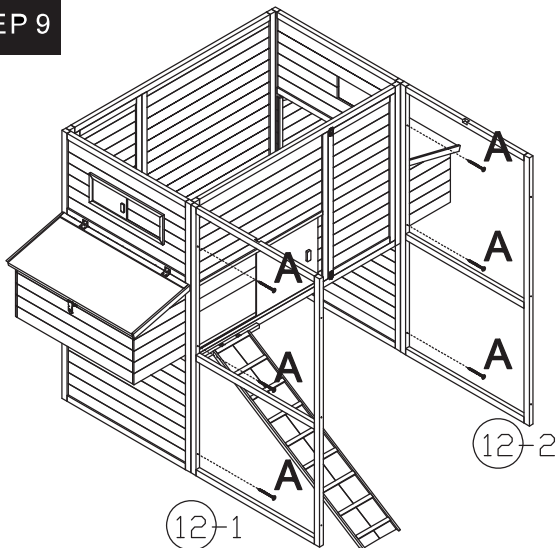
STEP 7



STEP 8



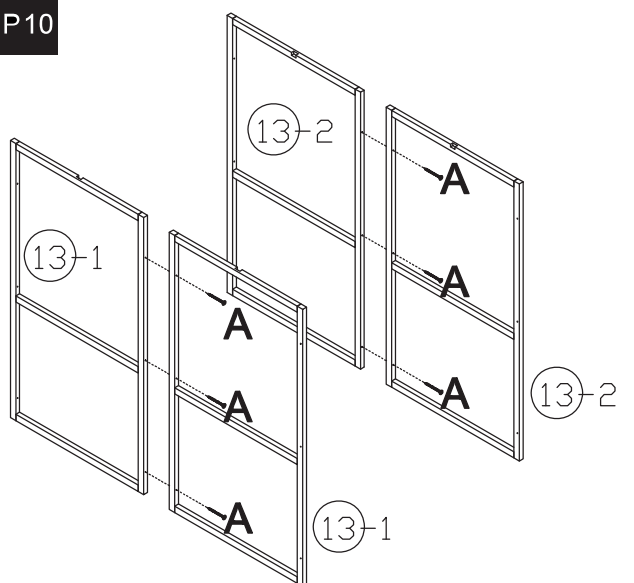
STEP 9



Panels 12-1 and 12-2 must have the sides with slots facing up and toward the inside. This will allow placement of the triangular roof supports in step 13.

A -> x 6

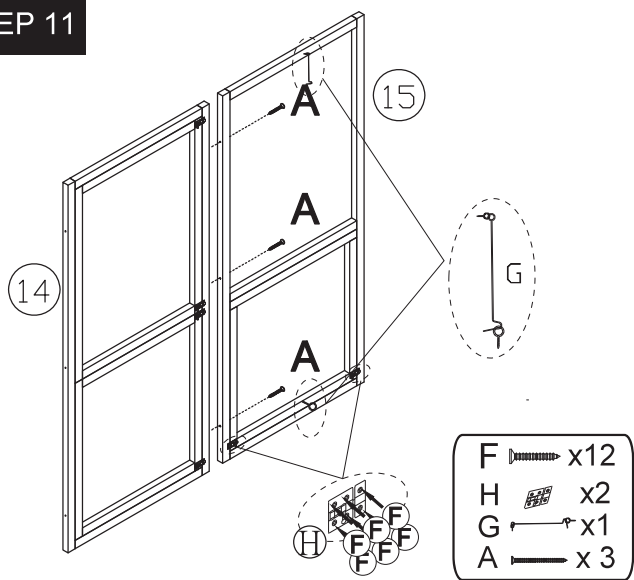
STEP 10



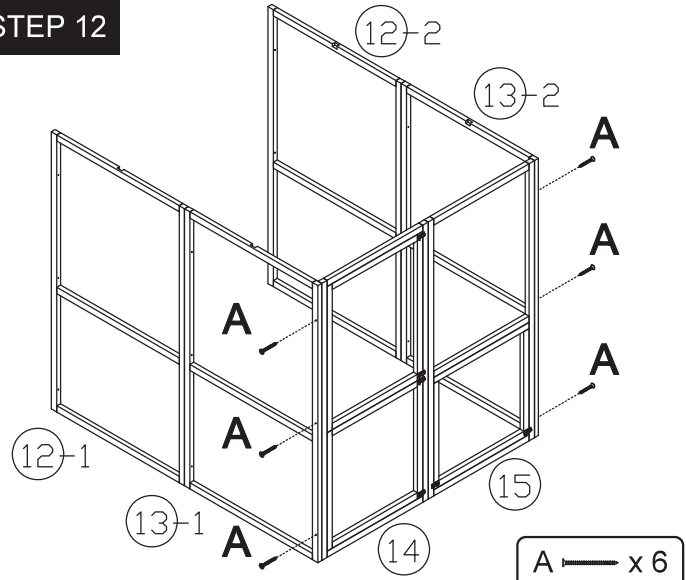
Panels 13-1 and 13-2 must have the sides with slots facing up and toward the inside. This will allow placement of the triangular roof supports in step 13.

A -> x 6

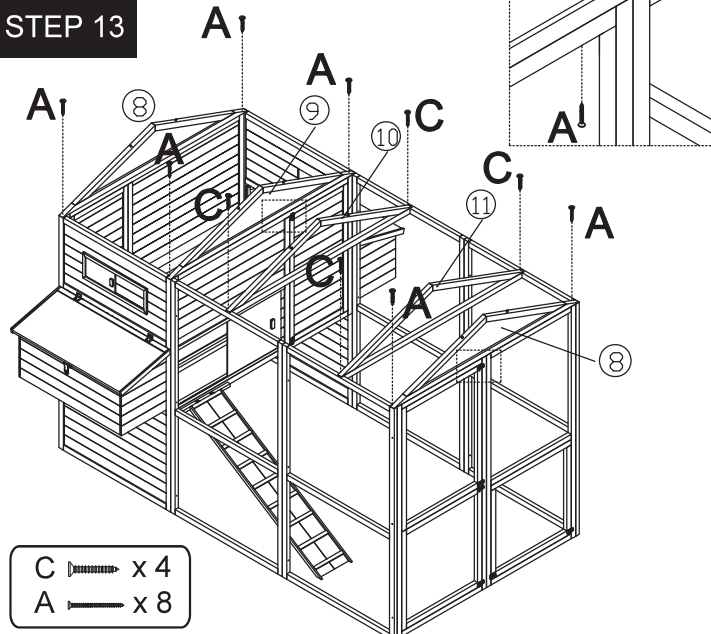
STEP 11



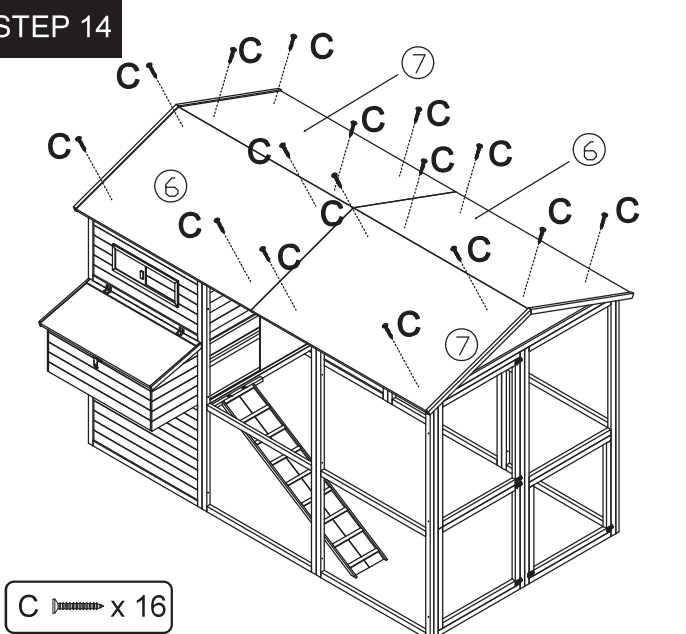
STEP 12



STEP 13



STEP 14



STEP 15

