
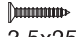
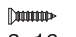
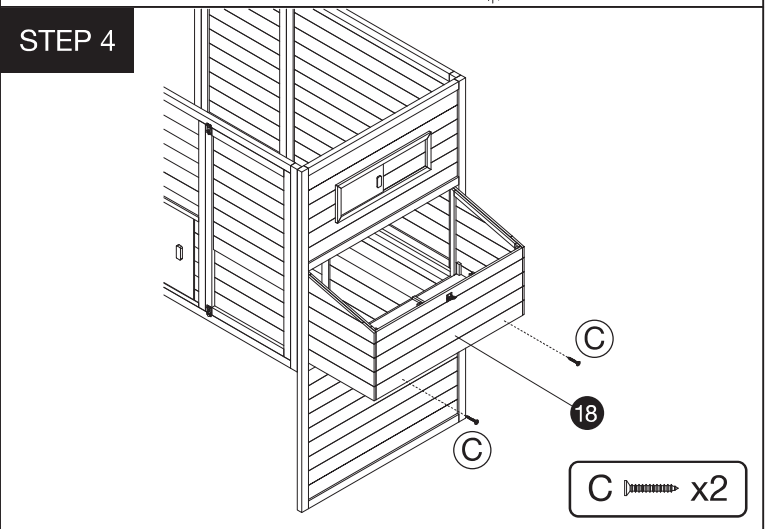
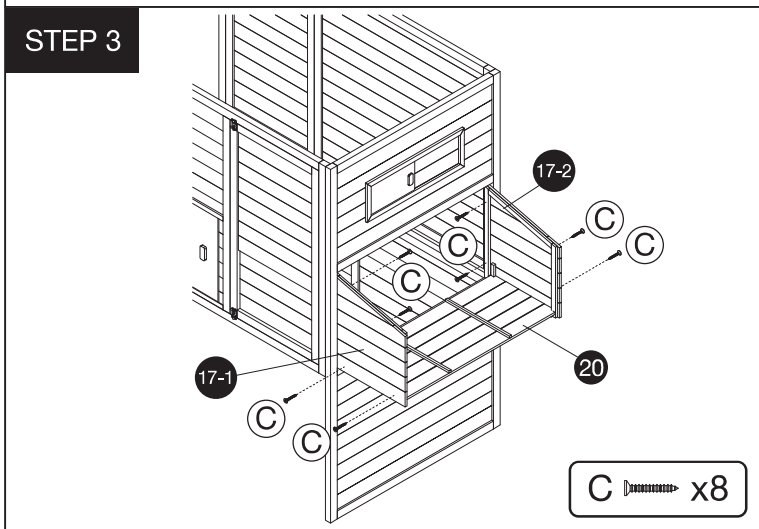
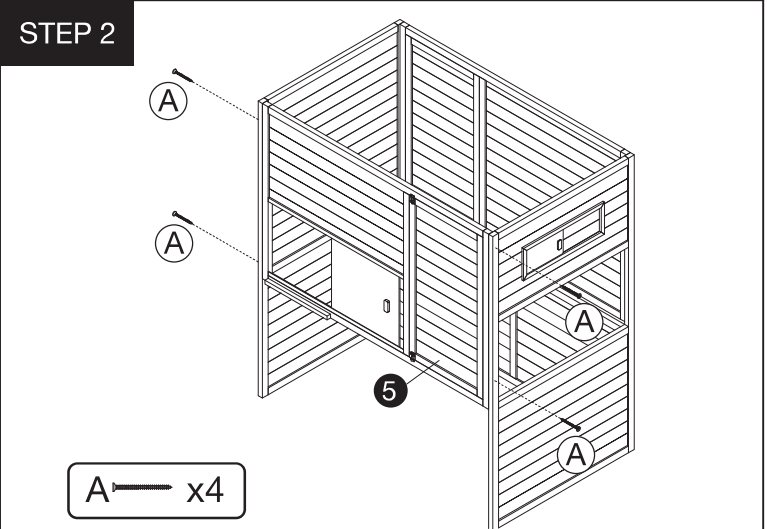
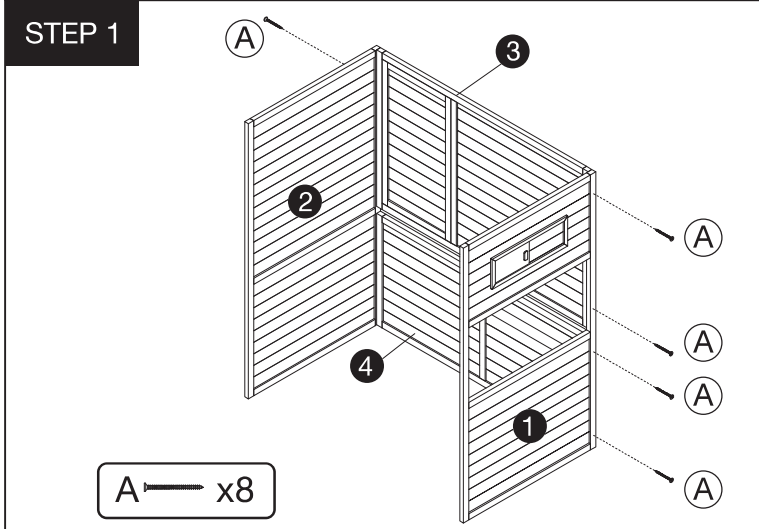
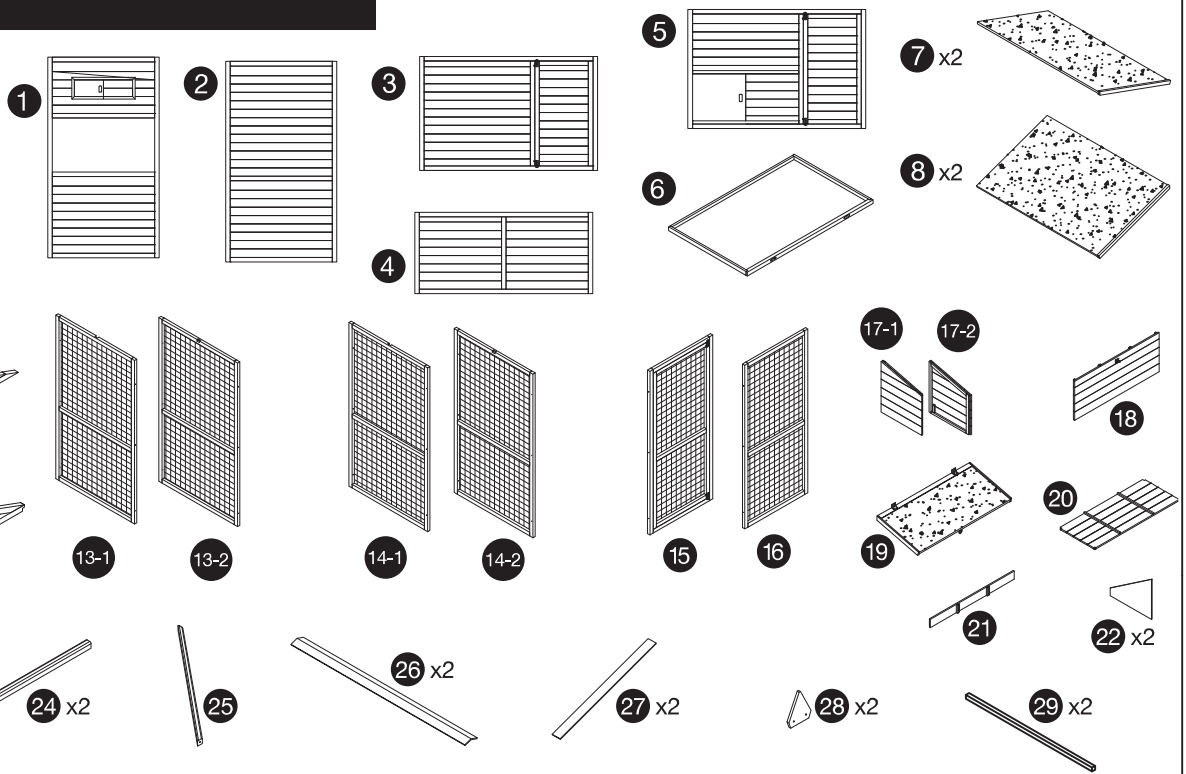


Coops & Feathers™

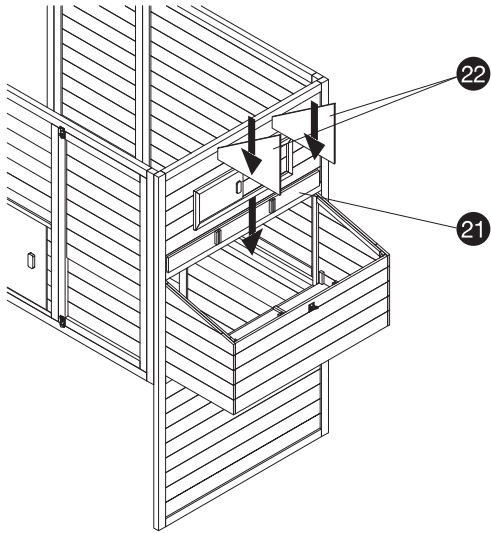
Easy-to-Build, Backyard Chicken Coops

MODEL# 220-10

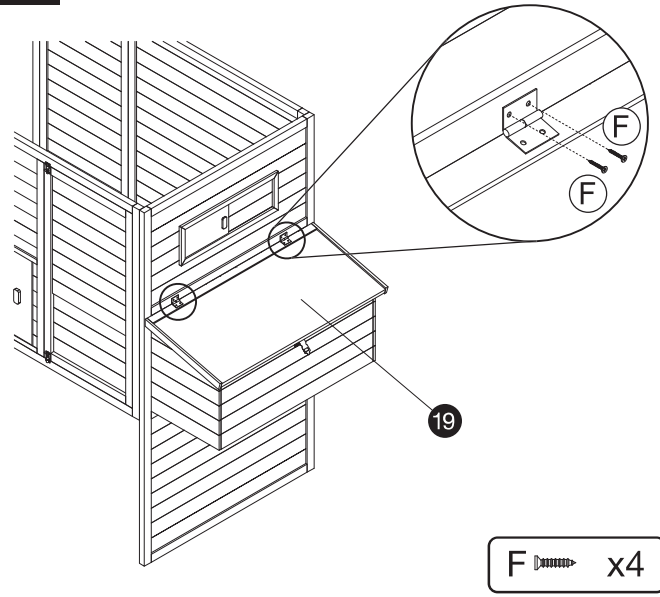
- (A)  3.5x60mm 41+2pcs
- (C)  3.5x35mm 34+2pcs
- (E)  3.5x25mm 22+2pcs
- (F)  3x16mm 6+2pcs



STEP 5

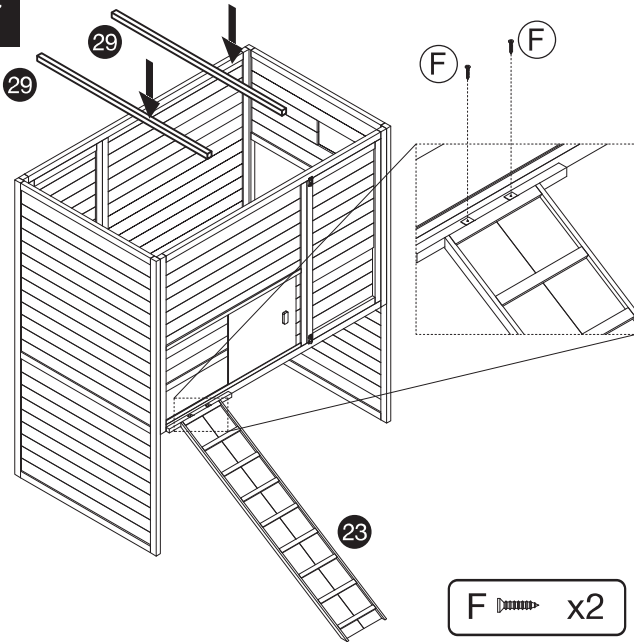


STEP 6



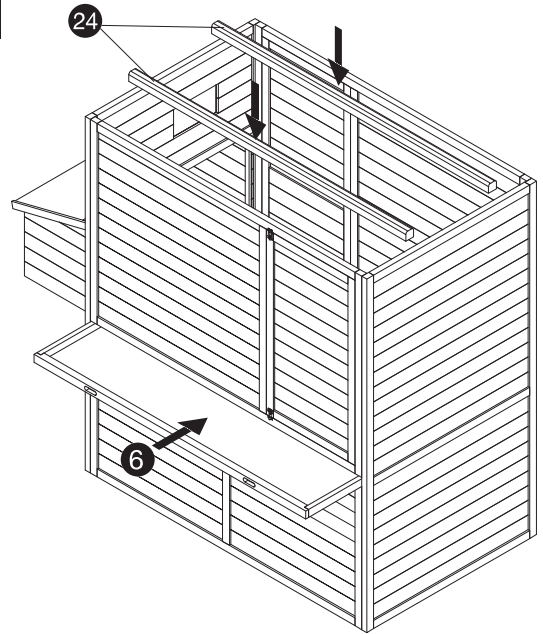
F  x4

STEP 7

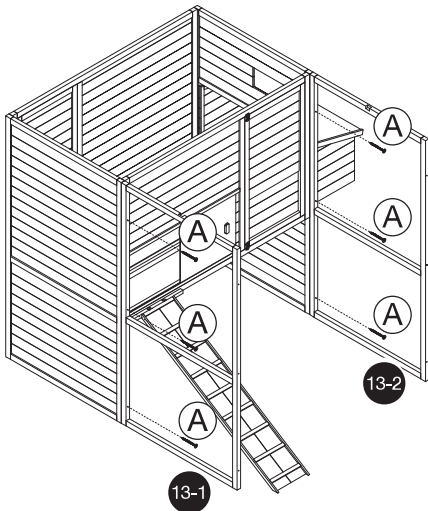


F  x2

STEP 8

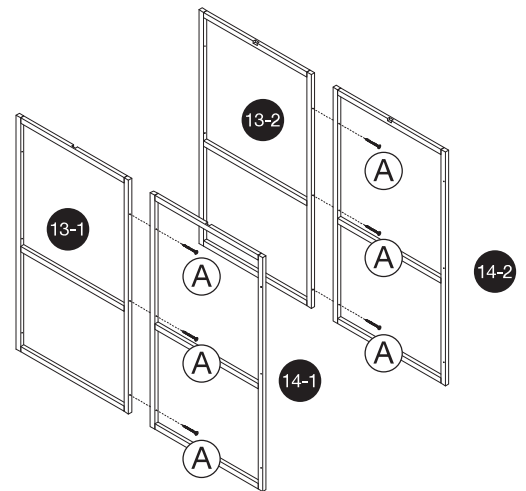


STEP 9



A  x6

STEP 10

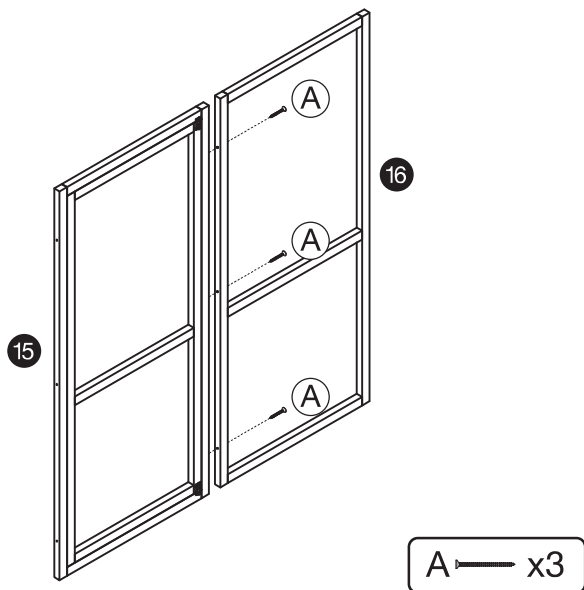


A  x6

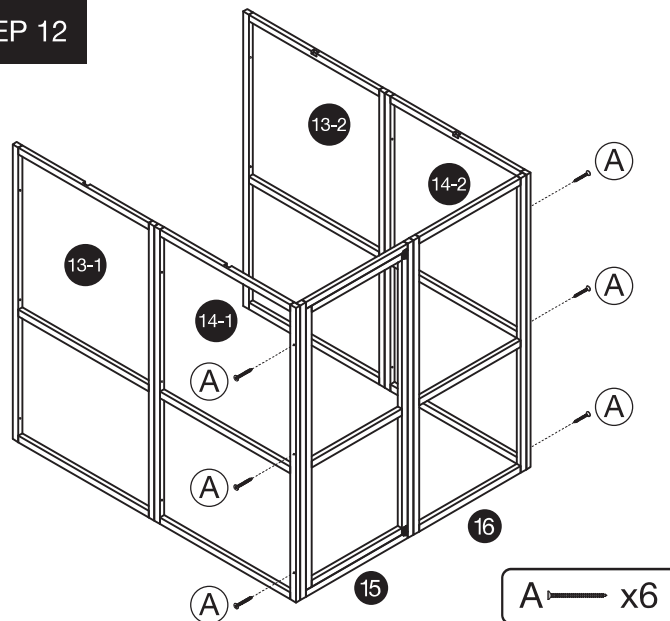
Panels 13-1 and 13-2 must have the sides with slots facing up and toward the inside. This will allow placement of the triangular roof supports in step 13.

Panels 14-1 and 14-2 must have the sides with slots facing up and toward the inside. This will allow placement of the triangular roof supports in step 13.

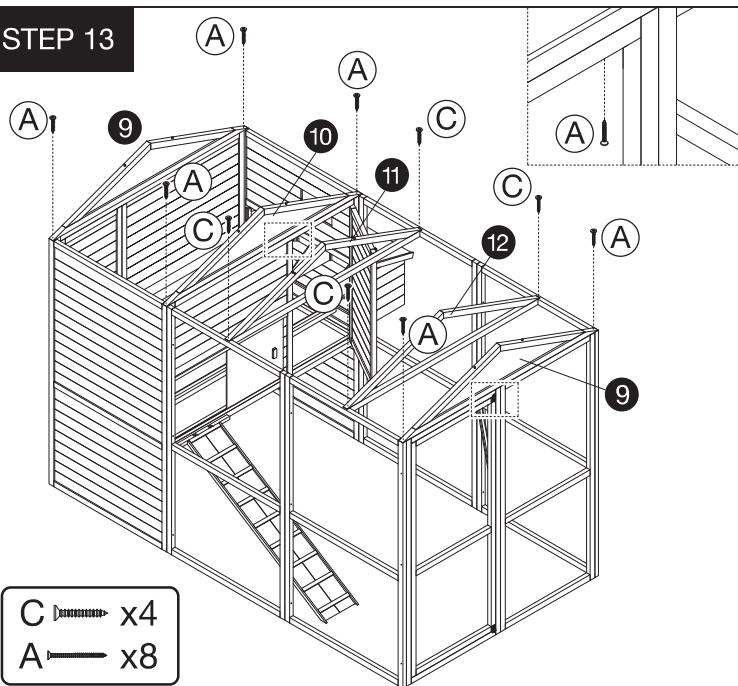
STEP 11



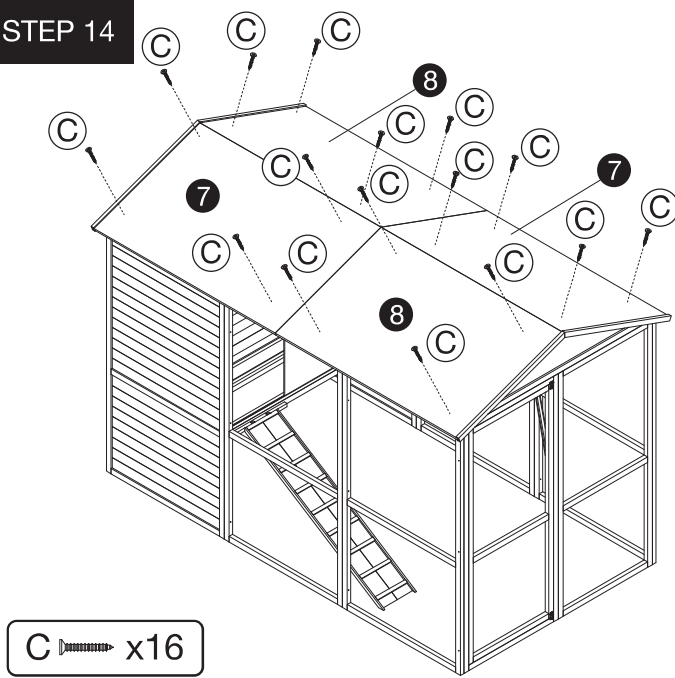
STEP 12



STEP 13



STEP 14



STEP 15

