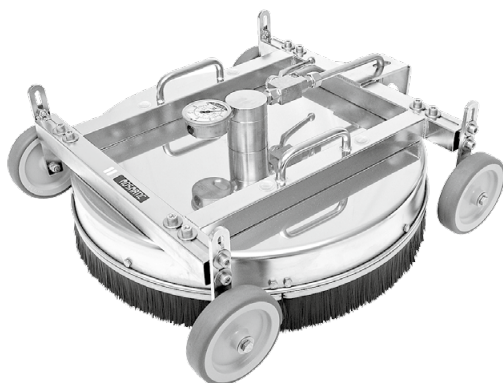


- ✓ Height and width adjustable
- ✓ Quad bearing swivel
- ✓ For professional roof cleaners



TECHNICAL DATA

Pressure 4000 / 7300 psi
Temperature 250°F
Inlet 3/8" NPTF
 G1/4" F



DR-520

Height adjusters long

Add an additional 2.4" height if needed. e.g. for corrugated roofs.

Part No. 904.351 (1 pcs)
 Requires 4 pieces



Pedal switch

For additional safety, Mosmatic recommends you turn your flow on and off using the optional pedal switch.

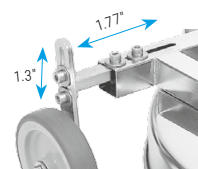


Part No. 80.987

FEATURES

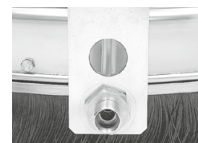
Height and width adjustable

The DR-520. Width is adjustable up to 3.54" and 1.3" in height. Will work for most roof designs adding safety and stability.



Safety Eye

Allows you to easily secure the roof cleaner with a safety rope or cable.



Pressure Gauge

Use the pressure gauge to monitor your cleaning pressure. This allows you to ensure proper pressure when cleaning a variety of roofing materials.



Ball Valve

Makes it easy and convenient to turn off the flow to the unit.



Rotor Arms

Can withstand up to 4000 psi or 7300 psi, are precision welded and balanced.



2cw2 (2 Arms / 2 Nozzles / 4000 psi) **2cw2** (2 Arms / 2 Nozzles / 7300 psi)
 Part No. 82.942 1/8" (ø 18.5") Part No. 82.941 1/4" (ø 18.5")
 Part No. 82.975 1/4" (ø 18.5")

Swiss Engineering

High rpm stainless steel swivel features 4x reinforced self lubricated stainless steel ball bearings for improved performance. The dual spring based carbide seal system, guarantees long lasting operation under tough conditions.



DYU Swivel (7300 psi) **DYT Swivel (4000 psi)**
 Part No. 59.916 Part No. 59.907

Name	Part No.	ø	Width	Height	Weight	Rotor Arm	HP-Nozzles
DR-520	80.658	21"	21.6"-25.2"	7.7"-9"	31.9 lbs	2x 1/8" NPTF	---
DR-520*	80.662	21"	21.6"-25.2"	7.7"-9"	31.9 lbs	2x 1/8" NPTF	---

* Pressure: 7300 psi / Inlet G1/4" F