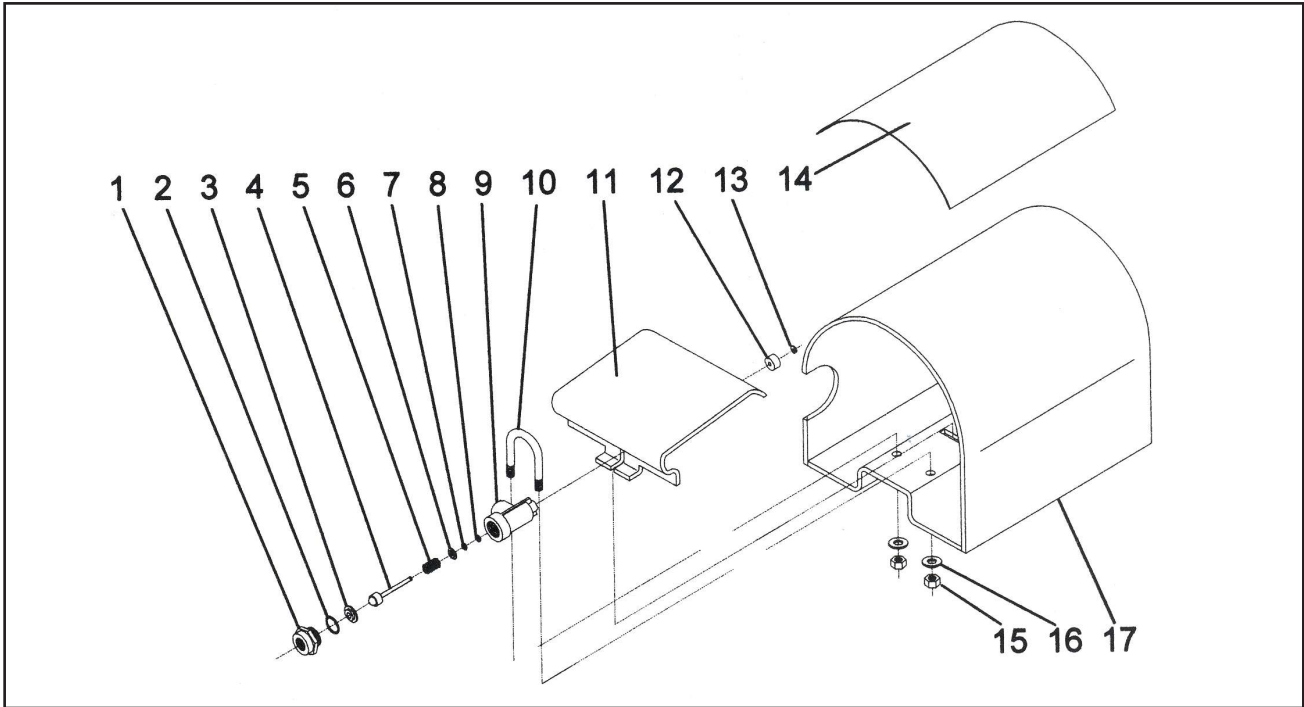


Spare Parts
Foot Actuated Valve (yellow)
Item-No. 999000012



Pos.	Item-No.	Description
1	100000091	Outlet
2	050000040	O-ring
3	040000325	S.S. seat
4	200810490	Piston rod
5	060000560	Spring
6	010003000	Brass washer
7	050000260	O-ring
8	050000640	Back up ring
9	010000137	Brass housing
10	900000015	U-bolt 1/4" x 1w

Pos.	Item-No.	Description
11	900000014	Foot pedal
12	020001790	Plastic retainer
13	060000195	S.S. Lock ring
14	900000018	Decal, foot valve
15	900000016	Locknut, 1/4" - 20 unc
16	900000017	Washer. 1/4" flat
17	900000013	Housing, foot valve
	200810491	Repair kit
	200851484	Repair kit, valve complete items #1-12