

2017 CATALOG







PUMPS & ACCESSORIES



INDUSTRIAL PUMPS DIVISION

TABLE OF CONTENTS

MISSION	4	OTHER ACCESSORIES	
INTRODUCTION	6	Anti-Freeze, Brushes	66
 CONSUMER PUMPS		Burner Rings	66
VRX Series	22	Carts, Clutches, Couplers & O-Rings	67
		Couplers & Twist Connects	68
		Engine Keys & Filters	69
		Fittings	70
		Flex Couplers, Float Tanks & Valves, Foamers & Gasket	71
		Gauges, Gear Reducers, GFCI & Guns	72
		Hose Assemblies	77
		Hose Reels	78
		Injectors	78
		Lances	79
		Nozzles	82
		Hi-Lo Vari Nozzle	87
		Oil, Oil Caps & Packing Extractors	88
		Packing Insertion, Pulsation Dampeners, Rail Kits,	
		Sand Blasters & Sludge Pumps	89
		Surface Cleaners & Switches	90
		Switches, Swivels & Tape	91
		Terminator, Thermostats, Thread Lock, Throttle	
		Controls & Unloaders	92
		Unloaders	93
		Valves	97
		Water Broom	101
		PRESSURE WASHERS	101
 COMMERCIAL PUMPS		CONVERSION TABLE & FORMULAS	102
BXD Series	26		
AXD Series	28	WARRANTY & ORDERING INFORMATION	103
BWD-K Series	32		
AWD-K Series	34		
		INDEX	104
 INDUSTRIAL PUMPS			
LW Series	36		
ZWD Series	42		
FW2 Series	46		
 PREMIUM PUMPS			
RW Series	50		
SW Series	54		
TW-TW 7300 PSI	56		
TW 10000 PSI	60		
EVERFLO PUMPS	62		



COMET SPA, A WORLD RENOWNED COMPANY

Comet Spa is an international business founded on the strength of a world renowned brand. With 3 production sites, many branches and numerous distributors, Comet works in more than 80 countries around the globe.

Comet holds a first level position in the sector of piston pumps for water, thanks to particularly cutting edge construction solutions. The strategic evolution of its Industrial Division contemplates the introduction of innovative products to expand its presence in new business sectors.

Comet's benchmark role is demonstrated not only by its production volumes, but also by the far-reaching, authoritative presence around the world which makes it one of the leading names in the sector

Product excellence with the spirit of innovation

RESEARCH AND DEVELOPMENT OF NEW PRODUCTS TO SATISFY THE NEEDS OF BOTH MARKET AND CUSTOMERS

Comet puts 52% of its investments into Research & Development with particular emphasis on “Total Excellence”, understood not merely as product excellence but also as service excellence and continuous staff training.

In line with this concept, the development of new solutions is based on the accurate identification of reference targets, designing products not merely for their own sake and for one’s own business, but as the central nucleus of many services that customers can, and must, benefit from.



COMET, A WORLD PLAYER READY TODAY TO WIN TOMORROW'S CHALLENGES

Total customer satisfaction is the foundation of Comet Spa's mission.

This is achieved through the development of clear strategic guidelines for:

- Increased competitiveness
- Product excellence
- Constant improvement of quality and service

Innovation is the main route to staying ahead of and satisfying the needs of the end customer, successfully interpreting the rapid evolutions of technologies and standards.

Comet plunger pumps

Operation and composition



Comet plunger pumps fall into the category of reciprocating positive displacement plunger pumps, i.e., equipped with technical features whereby the flow of liquid occurs by virtue of changes in one or more capacities which, alternately, convey the liquid back and forth. The difference between maximum and minimum volume of the variable capacity represents the theoretical volume of the pumped liquid.

Comet plunger pumps are divided into two categories:

- 1) Inline (or Triplex) plunger pumps
- 2) Axial plunger pumps

Both types of pumps are essentially made up of two fundamental constructive elements, assembled together in a fixed way:

- the head, which contains the hydraulic part of the pump
- the crankcase, which contains the mechanical-kinematic part (oil bath).

The other main elements, common to both categories of pumps, are:

- the hydraulic seal system on the pistons, consisting of pumping pistons, rings and seals
- the suction and delivery valves

These parts are all located in the head

The main difference between the two types of plunger pumps (inline and axial) is constituted by the mechanical-kinematic part, which determines the reciprocating motion of the pistons.

Inline (Triplex) plunger pump

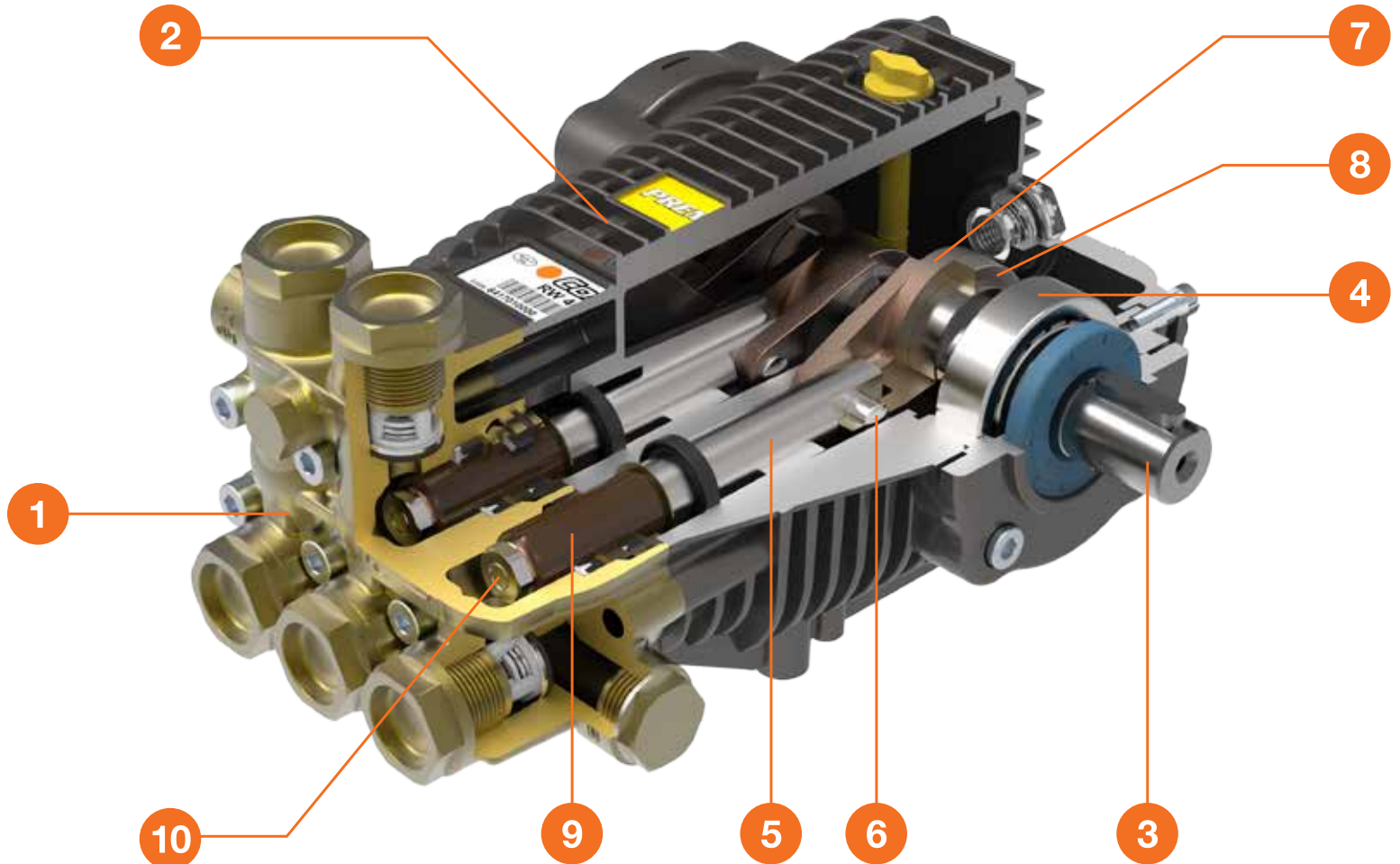
The Comet inline (Triplex) plunger pump features three pumping elements, arranged along parallel axes lying on the same horizontal plane. Each of the above pumping elements consists of a piston (made up of a “drive” section and a “pumping” section), driven in a reciprocating manner by a rod-crank system, which is responsible for the suction and pressure actions.

The pumping piston is of the “plunger” type, i.e., the pumped liquid sealing system is fixed, while the piston slides inside. The pumping elements are then driven by a shaft with three eccentrics offset by 120°. The shaft with three eccentrics is supported by two bearings and has one end protruding from the crankcase to get its motion from the motor driving the pump.

Each pumping element is made as described below.

The reciprocating motion of the drive piston is produced by the connecting rod through the piston pin; the connecting rod is in turn operated by one of the three eccentrics belonging to the shaft which transmits the motion to the pump..

To the drive piston is connected the pumping piston, which can be made with a ceramic bushing, fitted to the drive piston and retained by a nut, or by providing a ceramic insert section directly on the drive piston. The sealing system acts on the pumping piston to ensure the seal of the pumped liquid during the reciprocating pumping piston sliding.



1. Head - **2.** Crankcas - **3.** Shaft - **4.** Bearings - **5.** Drive piston - **6.** Pin - **7.** Connecting rod - **8.** Eccentric
9. Bushing (Pumping piston) - **10.** Nut

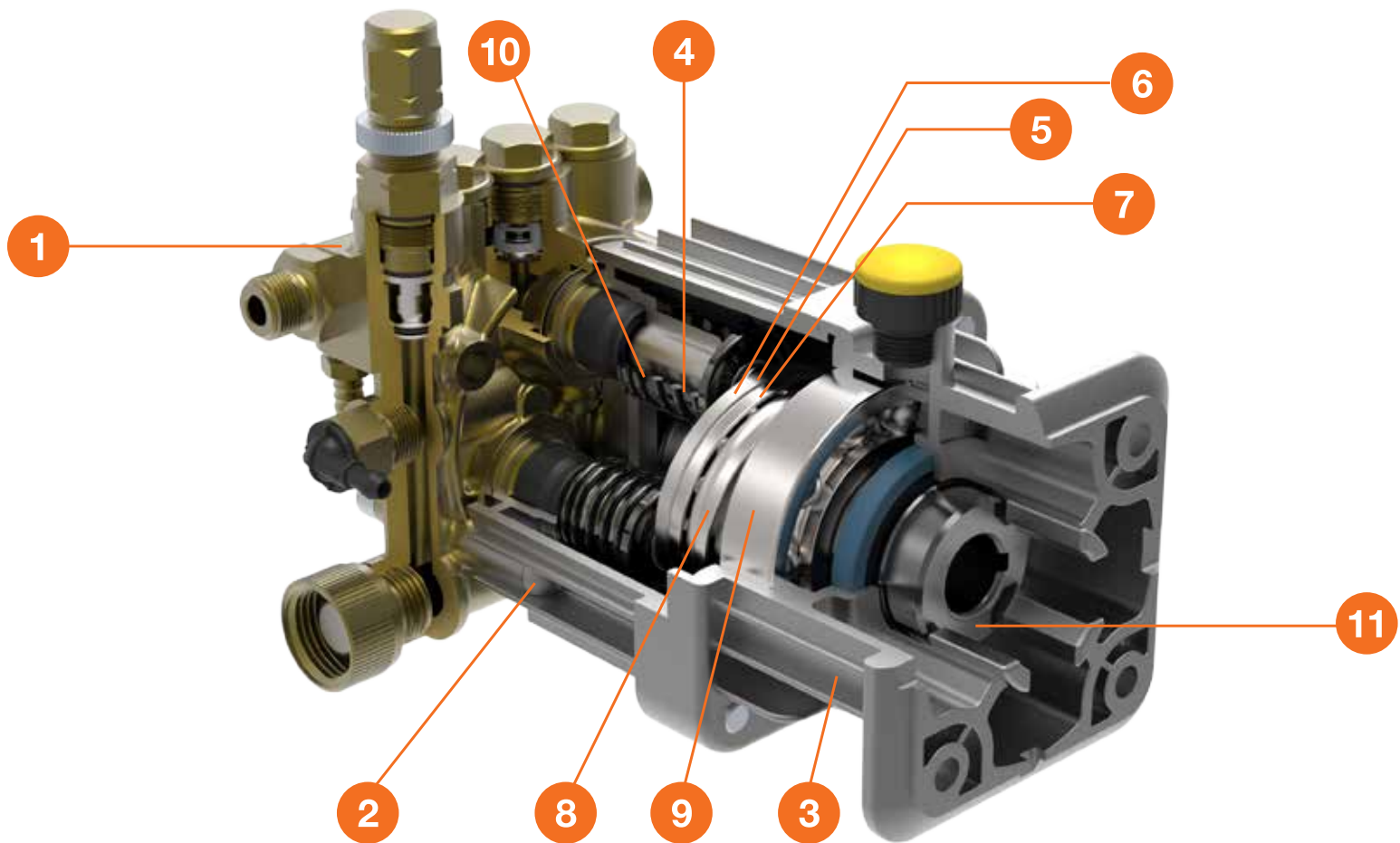
Axial plunger pump

The Comet axial plunger pump always features three pumping elements, arranged in parallel axes in this case on three equidistant generators of a geometric cylinder.

Each of the above pumping elements consists of a piston (made up, in this case too, of a “drive” section and a “pumping” section) driven in a reciprocating manner by a tilted-plate thrust system and by a spring return system. The pumping piston is always of the “plunger” type, i.e., the pumped liquid sealing system is fixed, while the piston slides inside.

The plate, which is tilted with respect to the piston axis, provides the thrust to the drive piston by means of a coupling attachment (or sheet) which acts on the end of the piston itself by the interposition of an axial bearing between the coupling attachment and plate. The plate is integral with the shaft that drives the pump and which is coaxial with the three pistons. The shaft is in turn supported by a thrust bearing, housed in the pump support, and has one extremity protruding from the support to get its motion from the motor driving the pump.

The drive piston is connected to the pumping piston, which is made with a ceramic insert section or with a special surface treatment performed directly on the drive piston. The sealing system acts on the pumping piston to ensure the seal of the pumped liquid during the reciprocating pumping piston sliding.



- 1.** Head - **2.** Crankcase - **3.** Pump support - **4.** Piston - **5.** Piston end - **6.** Coupling attachment
7. Plate axial bearing - **8.** Eccentric plate - **9.** Thrust bearing - **10.** Piston return spring - **11.** Pump shaft

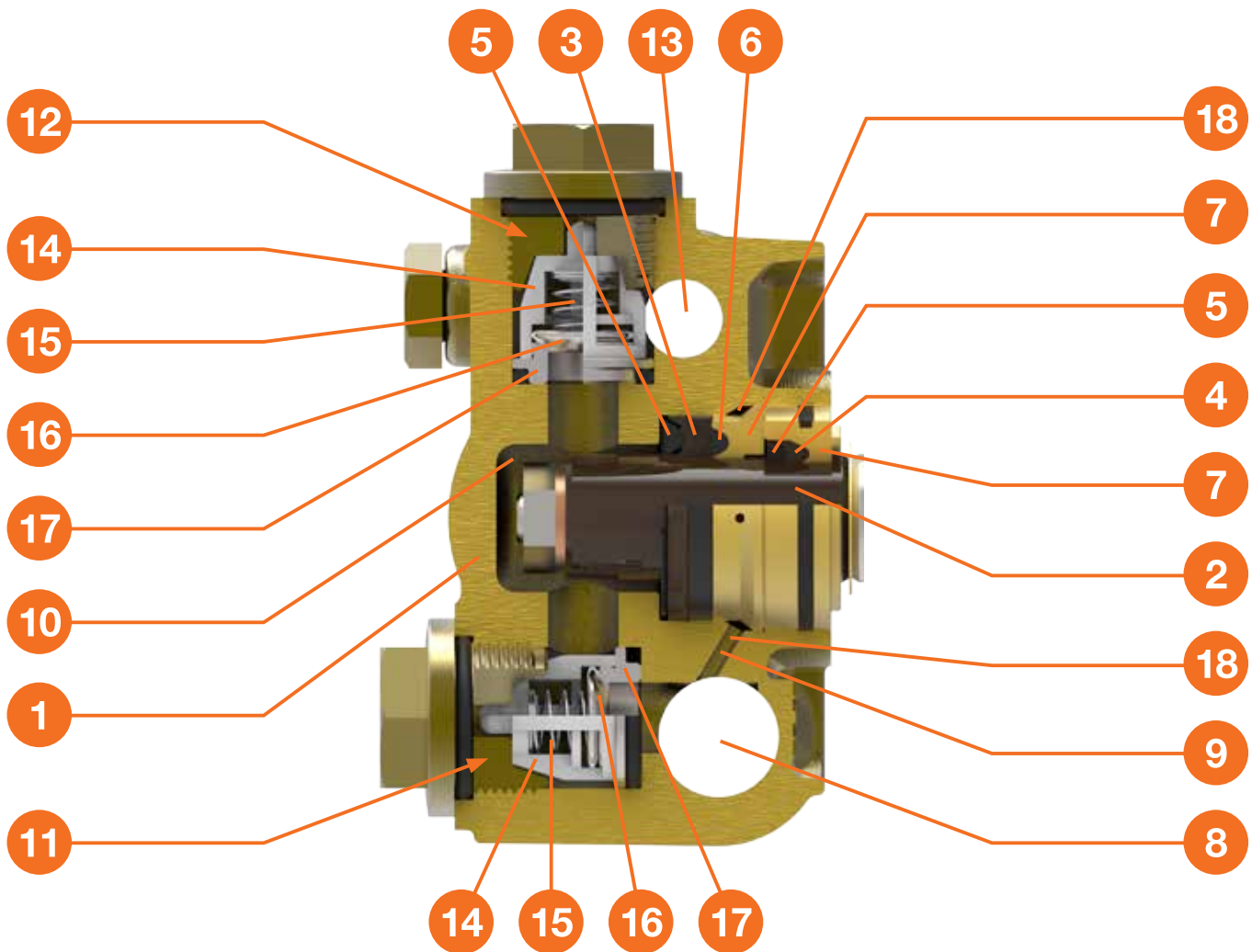
Sealing system on pumping pistons

The sealing system, on both types of pumps, is essentially made up of two gaskets: a high-pressure gasket, with the function of sealing the pumped liquid, and a low-pressure gasket, with the function of sealing any liquid leaking out of the high-pressure gasket.

The two gaskets are spaced apart, with the interposition of an annular chamber which is in communication, via a connecting hole, with the intake manifold. This constructive configuration has two functions:

- to create a recovery tank for the possible leakage of liquid out of the high-pressure gasket, preventing this from reaching the outside
- to ensure the presence of liquid between the two gaskets, including in the absence of leakage out of the high-pressure gasket; this keeps the low-pressure gasket wet and therefore prevents it from overheating in the absence of lubrication.

Other accessory gasket parts are generally also a part of the sealing system such as pressure rings, gasket support rings and anti-extrusion rings. The presence and type of construction of these accessory elements are linked to several factors, among which the most important are the type of gasket adopted and the pump working pressure.



- 1.** Head - **2.** Pumping Piston - **3.** High-pressure Gasket - **4.** Low-pressure Gasket - **5.** Pressure rings - **6.** Anti-extrusion ring
7. Gasket support rings - **8.** Intake manifold - **9.** Connecting hole - **10.** Pumping chamber - **11.** Suction valve - **12.** Delivery valve
13. Delivery manifold - **14.** Valve cage - **15.** Valve spring - **16.** Valve plate - **17.** Valve seat - **18.** Annular chamber

Axial plunger pump

The Comet axial plunger pump always features three pumping elements, arranged in parallel axes in this case on three equidistant generators of a geometric cylinder.

Each of the above pumping elements consists of a piston (made up, in this case too, of a “drive” section and a “pumping” section) driven in a reciprocating manner by a tilted-plate thrust system and by a spring return system. The pumping piston is always of the “plunger” type, i.e., the pumped liquid sealing system is fixed, while the piston slides inside.

The plate, which is tilted with respect to the piston axis, provides the thrust to the drive piston by means of a coupling attachment (or sheet) which acts on the end of the piston itself by the interposition of an axial bearing between the coupling attachment and plate. The plate is integral with the shaft that drives the pump and which is coaxial with the three pistons. The shaft is in turn supported by a thrust bearing, housed in the pump support, and has one extremity protruding from the support to get its motion from the motor driving the pump.

The drive piston is connected to the pumping piston, which is made with a ceramic insert section or with a special surface treatment performed directly on the drive piston. The sealing system acts on the pumping piston to ensure the seal of the pumped liquid during the reciprocating pumping piston sliding.

Suction and delivery valves

Each pumping element of both types of pumps (inline pistons and axial pistons) is provided with a suction valve and a delivery valve, normally identical and arranged in the opposite direction the one to the other. The purpose of these valves is to intercept the liquid and permit the pumping action in the working cycle corresponding to the shaft rotation.

The operation of the valves is of the automatic type, i.e., opening and the closing are determined by the pressure difference of the fluid on the valve plate, held in position by the contrasting force of a spring.

A complete rotation of the pump shaft causes an intake phase (piston return to bottom dead centre) and a delivery phase (advancement of the piston to the upper dead centre) for each pumping element. In the intake phase the liquid is sucked through the suction valve into the pumping chamber formed in the head, while the delivery valve is closed. In the delivery phase, the liquid is pushed out of the pumping chamber through the delivery valve while the suction valve is closed.

The pumping elements are connected transversely to each other by means of intake and delivery manifolds obtained in the head.

Efficiency

The efficiency of the Plunger pumps is identified by the following physical quantities:

- Flow rate
- Pressure
- Power

The **flow rate** is the volume pumped in the unit of time and it is possible to distinguish a theoretical Flow Rate **Qt** (flow rate which can theoretically be supplied by the pump) and an actual flow rate **Qe** (actual flow rate supplied by the pump). The Flow Rate is normally expressed with the unit of measurement **l/min** (metric system) or **gpm** (system used in English-speaking countries). The Flow Rate **Qt** for the three-piston **inline** pumps is calculated using the following formula (valid for metric units):

$$Q_t \text{ [l/min]} = \frac{3 \times \pi \times D^2 \text{ [mm]} \times e \text{ [mm]} \times n \text{ [1/min]}}{2 \times 10^6}$$

Wherein:

D [mm] = piston diameter

e [mm] = pump shaft eccentric

n [rpm] = rotation speed

The Flow Rate **Qt** for the three-piston axial pumps is instead calculated using the following formula (valid for metric units):

$$Q_t \text{ [l/min]} = \frac{3 \times \pi \times D^2 \text{ [mm]} \times i \text{ [mm]} \times \tan \alpha \times n \text{ [1/min]}}{2 \times 10^6}$$

Wherein:

D [mm] = piston diameter

i [mm] = piston centre distance (distance between pump axis and a piston axis)

α [rad] = pump plate inclination angle

n [rpm] = rotation speed

From the above figures in metric units, the flow rate can be obtained in units used in English-speaking countries with the formula:

$$Q_t \text{ [gpm]} = \frac{Q_t \text{ [l/min]}}{3,785412}$$

The ratio between the two flow rates, theoretical and actual, defines the volumetric efficiency η_v of the pump:

$$\eta_v = \frac{Q_e}{Q_t}$$

The flow rate figures which appear in the catalogue efficiencies are those of the actual flow rate **Qe**.

The flow rate of positive-displacement plunger pumps is proportionate to the rotation speed and tends to be independent from the delivery pressure, though it does tend to drop as the latter increases.

The **pressure** is the maximum value possible in the pump head in operating conditions.

It must however be realized that positive-displacement plunger pumps do not intrinsically develop pressure during their movement, but move liquid by virtue of their construction features, described in the previous chapter. If however, downstream of the pump, in the delivery circuit, there is an obstacle (e.g., a nozzle), the pressure is generated in the pump head needed to ensure the pump flow rate is able to cross the encountered obstacle.

It is therefore necessary for the delivery circuit to feature a maximum pressure valve which does not permit the creation of a pressure above maximum allowed pressure, established according to pump resistance characteristics. In fact, if the above obstacle is complete (e.g., the total closure of the delivery circuit), pressure would tend to become too great with consequent breakage of the head. The fitting of an adjustable by-pass valve also permits setting a determinate pressure value according to operating requirements.

Pressure is expressed in metric units, in **bar**, in **MPa**, and, in English-speaking countries in **PSI**. The ratios between the above units of measurement are the following:

$$P \text{ [MPa]} = P \text{ [bar]} \times 0,1$$

$$P \text{ [PSI]} = P \text{ [bar]} \times 14,50326$$

The working **power** output **Nu** of a pump is the energy supplied to the pumped liquid in the unit of time, while the absorbed power **Na** is the energy, in the unit of time, which the pump requires from its energy source (electric motor, thermal motor, hydraulic motor, etc.) to perform the required pumping operation. The units of measurement used to express Power are **kW**, **CV** and **HP**.

The working power output **Nu** is calculated according to the formula:

$$Nu \text{ [kW]} = \frac{Qe \text{ [l/min]} \times P \text{ [bar]}}{600}$$

The ratios between the other power units of measurement are the following:

$$Nu \text{ [HP]} = Nu \text{ [kW]} \times 1,341$$

$$Nu \text{ [CV]} = Nu \text{ [kW]} \times 1,360$$

The absorbed power is tied to the working power output with the ratio:

$$Na \text{ [kW]} = \frac{Nu \text{ [kW]}}{\eta t}$$

Wherein η_t is the total efficiency of the pump produced by the three efficiencies η_v (volumetric), η_m (mechanical) and η_i (hydraulic).

Volumetric efficiency η_v normally takes on values from 0.85 to 0.95. Lower values are found for axial plunger pumps and with an increase in rotation speed, while the highest values are found with inline plunger pumps and low rotation speeds.

Hydraulic efficiency η_i expresses the losses due to the resistances opposed to the flow through the head and for high pressures, characteristic of plunger pumps, it features values close to the unit.

Mechanical efficiency η_m expresses the power losses in the mechanical-kinematic part: this is higher in inline plunger pumps (0.94÷0.96) and lower in axial plunger pumps (0.90÷0.92).

On the basis of the above, the total efficiency η_t is therefore lowest (0.78÷0.80) in axial plunger pumps with high rotation speed (3400 rpm) and highest (0.90÷0.92) in inline plunger pumps with low rotation speed (1000÷1400 rpm).

The power values which appear in the catalogue efficiencies are those of the absorbed power **Nu**. The absorbed power in positive-displacement plunger pumps, with constant rotation speed (and therefore constant flow rate) is proportionate to pressure.

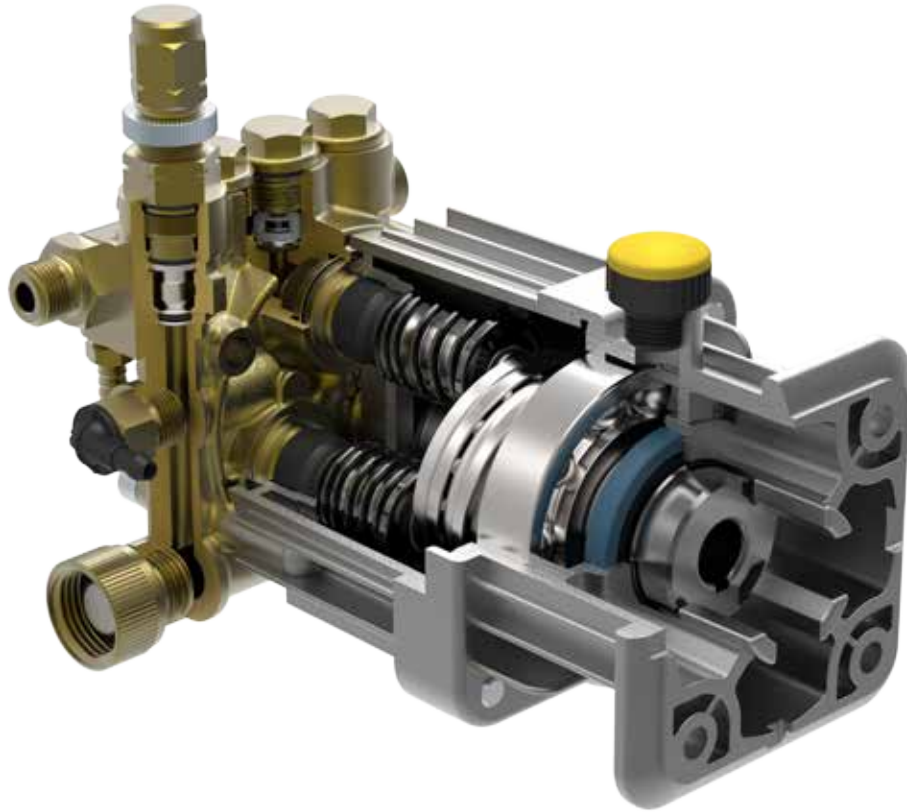


Applications

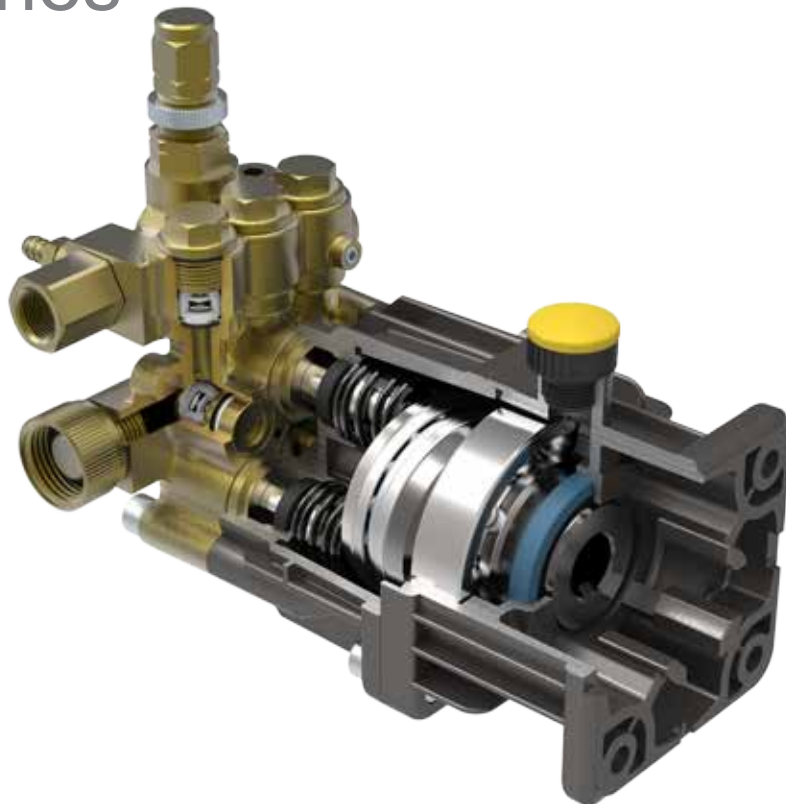
	bar [psi]													
	18 [250]	35 [500]	55 [800]	70 [1000]	85 [1200]	105 [1500]	125 [1800]	140 [2000]	155 [2500]	210 [3000]	245 [3500]	275 [4000]	345 [5000]	500 [7250]
CLEANING														
Aircraft Engine		✓	✓											
Battery			✓	✓										
Buses				✓	✓	✓	✓	✓	✓	✓	✓	✓		
Cars			✓	✓	✓	✓								
Carpet	✓	✓	✓	✓	✓									
Ceramic Tile Vat							✓	✓	✓					
Compressor Castings		✓	✓											
CIP Multiple Station			✓	✓	✓	✓	✓	✓						
Filter		✓	✓	✓										
Food Plant Sanitizing		✓	✓	✓	✓	✓	✓	✓						
Freight Trucks						✓	✓	✓						
Heat Exchanger Tube Coils	✓	✓												
Heavy Equipment						✓	✓	✓	✓	✓	✓	✓	✓	
Hog Cleaning/Sanitizing			✓	✓	✓									
Live Wire Insulator		✓	✓	✓										
Locomotive				✓	✓	✓	✓	✓	✓	✓	✓	✓	✓	✓
Moss/Mildew Removal			✓	✓	✓									
Offshore Platform								✓	✓	✓	✓	✓	✓	✓
Oil Storage Tank								✓	✓	✓	✓			
Potatoes			✓	✓	✓									
Sander Belts									✓	✓	✓			
Screen/Filter		✓	✓	✓	✓	✓	✓							
Seal Gland Flushing					✓	✓	✓	✓						
Sponge Vat							✓	✓	✓					
Vegetables		✓	✓											
HYDROSTATIC														
BOP		✓	✓	✓	✓	✓	✓	✓	✓	✓	✓	✓	✓	✓
Hydraulic Power HWBF - 95/5		✓	✓	✓	✓	✓	✓	✓	✓	✓	✓	✓	✓	✓
Jockey Pumps				✓	✓	✓	✓	✓	✓	✓	✓	✓	✓	✓
Pipe/Tube Testing		✓	✓	✓	✓	✓	✓	✓	✓	✓	✓	✓	✓	✓
Textile Water Extraction	✓	✓	✓											
LIQUID INJECTION														
Ag Fertilizer/Herbicides						✓	✓	✓	✓	✓	✓	✓		
Beer Exciting	✓	✓												
Boiler Feed	✓	✓	✓	✓	✓									
Diesel/Fuel Oil									✓	✓	✓	✓	✓	
Golf Course Aeration									✓	✓	✓	✓	✓	
Brine Oil Waste Water			✓	✓	✓	✓	✓	✓	✓	✓				
Oil Field, Glycol Injection				✓	✓	✓	✓	✓						
Oil Field, Methanol						✓	✓	✓	✓	✓	✓	✓	✓	
Oil Field, Water/Glucose						✓	✓	✓	✓	✓	✓	✓	✓	
Pesticide				✓	✓	✓								
Secondary Recovery/Well Stimulation				✓	✓	✓	✓	✓	✓	✓	✓	✓	✓	
Undersea Diving Vessel			✓	✓										
METERING														
Crude Oil Transfer		✓	✓	✓	✓									
Homogenizing			✓	✓	✓	✓	✓	✓	✓	✓	✓	✓	✓	✓
Machine Tool Coolant Flushing						✓	✓	✓	✓	✓				

	bar [psi]													
	18 [250]	35 [500]	55 [800]	70 [1000]	85 [1200]	105 [1500]	125 [1800]	140 [2000]	155 [2500]	210 [3000]	245 [3500]	275 [4000]	345 [5000]	500 [7250]
MISTING														
Agriculture		✓	✓	✓	✓	✓								
Chicken/Turkey		✓	✓	✓	✓	✓								
Coal Dust Suppression			✓	✓	✓									
Dairy Barn Sanitation		✓	✓	✓	✓	✓								
Equestrian		✓	✓	✓	✓	✓								
Evaporative Cooling				✓	✓	✓	✓	✓	✓	✓				
Greenhouse		✓	✓	✓	✓	✓								
Lumber Conditioning		✓	✓	✓	✓	✓								
Odor Control		✓	✓	✓										
Temperature Control		✓	✓	✓	✓	✓								
Turbine Cooling						✓	✓	✓	✓	✓				
PROCESSING														
Chemical			✓	✓	✓	✓	✓	✓						
Chicken/Turkey Deboning						✓	✓	✓	✓					
Crude Petroleum Transfer		✓	✓	✓	✓					✓				
Ham Deboning						✓	✓	✓						
Liquid CO2		✓	✓	✓	✓	✓	✓	✓	✓					
Saltwater Reverse Osmosis-Desalination		✓	✓	✓	✓	✓								
SPRAYING														
Fire Protection System			✓	✓	✓									
Row Crop	✓	✓	✓	✓										
SURFACE TREATMENTS														
Cedar Siding Restoration							✓	✓	✓					
Exposed Aggregate								✓	✓	✓				
Gypsum Removal									✓	✓				
Label Removal				✓	✓	✓	✓	✓	✓	✓				
Metal Casting Flushing		✓	✓	✓	✓									
Paint Removal							✓	✓	✓	✓	✓	✓	✓	✓
Paint and Solder Removal											✓	✓	✓	✓
Paper/Plastic/Tin Laser Cutting								✓	✓	✓	✓	✓	✓	✓
Plastic Flash Removal									✓	✓	✓	✓	✓	✓
Phosphatizing		✓	✓	✓	✓									
WATER-JETTING/BLASTING														
Cement Truck, Hopper, Hearth, Floors										✓	✓	✓	✓	✓
Cleaning Sewer Pipe						✓	✓	✓	✓	✓	✓	✓	✓	✓
Drain Line Tubes							✓	✓	✓	✓	✓	✓	✓	✓
Drilling Paraffin/Crude Residues										✓	✓	✓	✓	✓
Graffiti Removal									✓	✓	✓	✓	✓	✓
Mill Scale, Slag Removal											✓	✓	✓	✓
Mixers, Reactors, Evaporators											✓	✓	✓	✓
Oak Debarking									✓	✓	✓	✓	✓	✓
Pharmaceutical Residue									✓	✓	✓	✓	✓	✓
Presses, Valves, Vessels						✓	✓	✓	✓	✓	✓	✓	✓	✓
Pulp and Paper Residue									✓	✓	✓	✓	✓	✓
Runway Rubber Removal											✓	✓	✓	✓
Ship Hull Rust, Barnacle Removal											✓	✓	✓	✓
Underground Trenching									✓	✓	✓	✓	✓	✓
Wet Sandblasting				✓	✓	✓	✓	✓	✓	✓	✓	✓	✓	✓

AXD Series



BXD Series



AWD-K Series



ZWD-K Series



LW Series



ZWD Series



FW2 Series



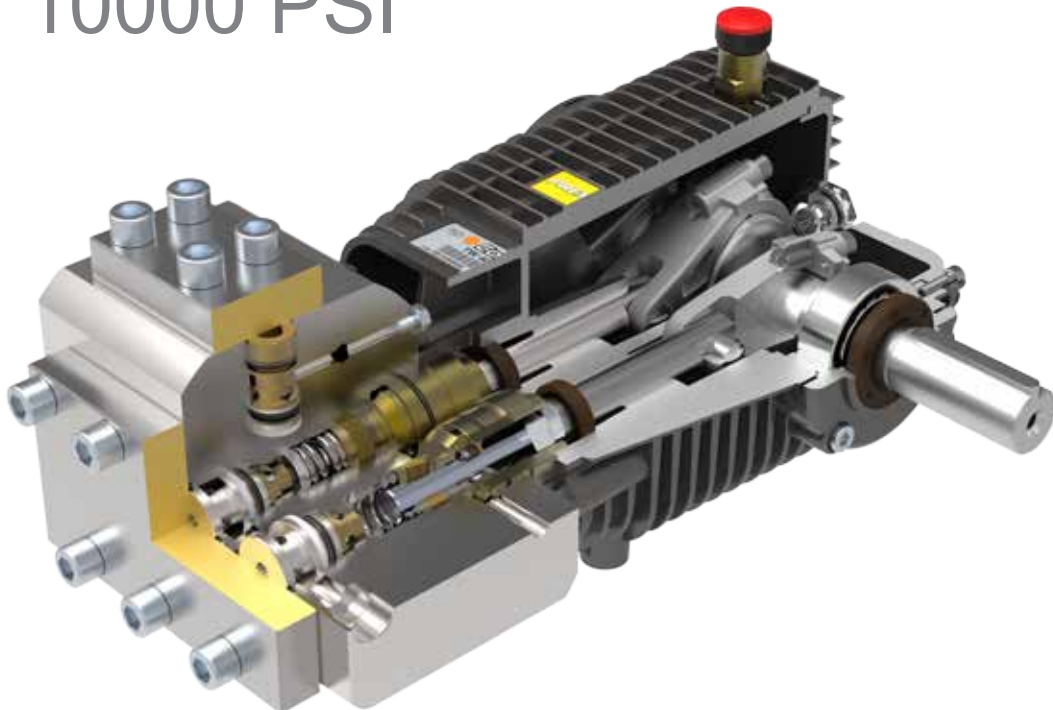
RW Series



TW Series



TW 10000 PSI

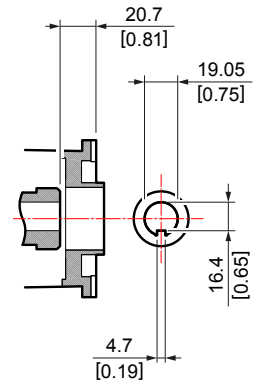
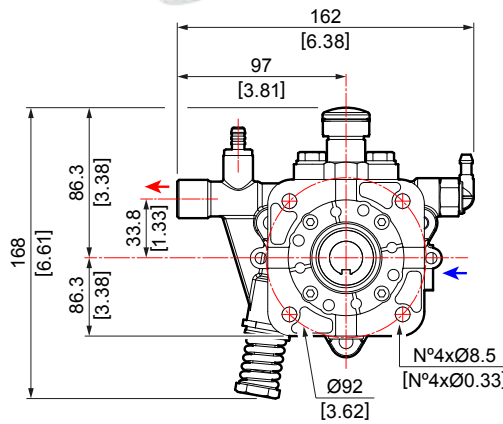
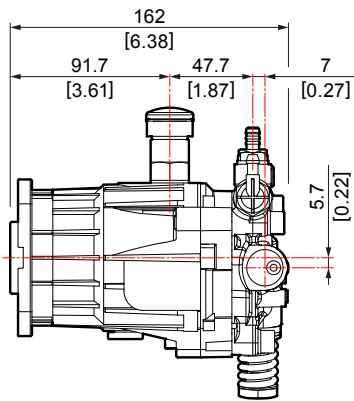
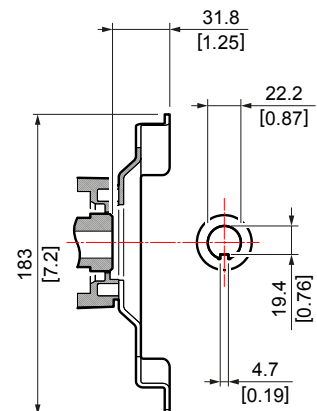
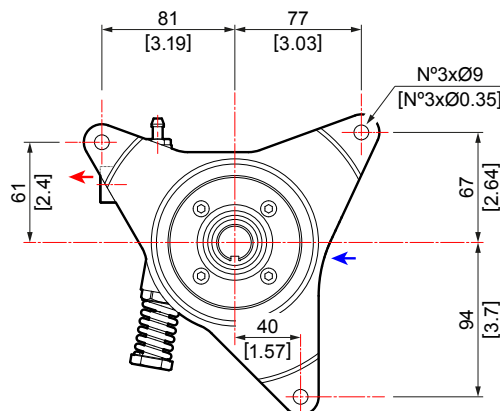
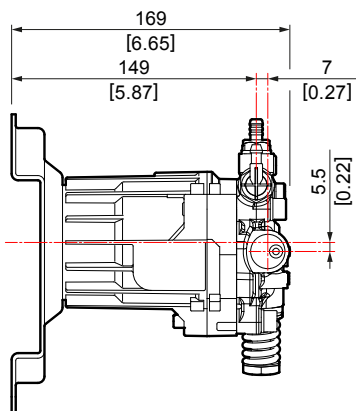


Comet Pumps



CONSUMER PUMPS

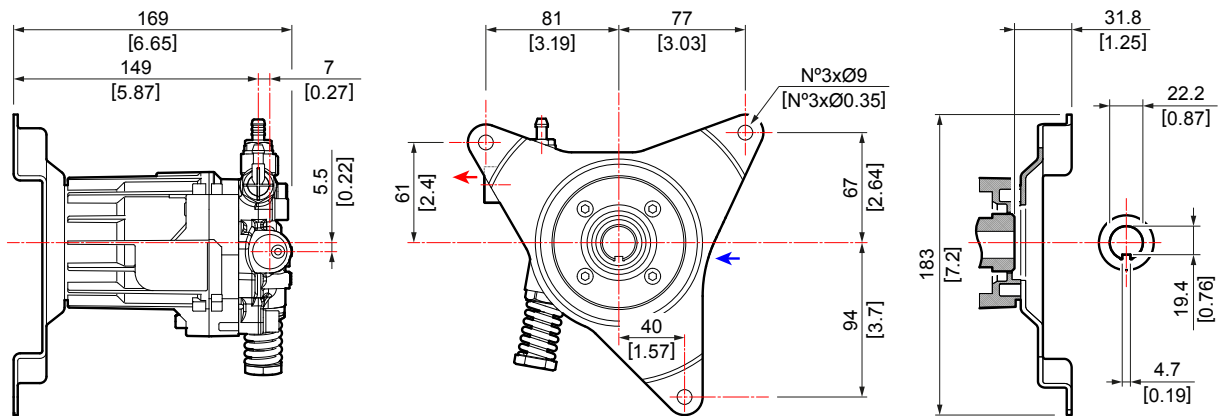
VRX Series


(G Version) VRX
HOLLOW SHAFT Ø3/4"

(V Version) VRX 2017
CYLINDRICAL HOLLOW SHAFT Ø7/8"




(V Version) VRX 2022, 2522

CYLINDRICAL HOLLOW SHAFT Ø7/8"



- 3/4" Inlet – 3/8" MPT Outlet
- Brass Head
- Special Aluminum Alloy Head with high resistance to corrosion (VRX 2017 V only)
- Built in Unloader with chemical injector
- Built in Easy Start
- High efficiency suction-delivery valves
- Stainless steel plungers
- Aluminum crankcase without need of oil replacement
- Optional Thermal Relief valve (#5026.0276.00)
- Optional Garden Hose Tail (Brass 2800.0511.00 or Plastic)

Takes 4.5 Ounces Pump Oil

VRX SERIES > PUMPS > HORIZONTAL GAS FLANGE

3400 RPM - 3/4" Hollow Shaft (SAE J609A)

**Pallet Qty: 60-Boxed; 96 Egg-Crated
Exceptions Noted**

PART#	MODEL#	GPM	PSI	RPM	SHAFT	PISTON	WT
6511.0005.00	VRX 2522 G	2.4	2200	3400	3/4"	14mm	8.6
6511.0015.00*	VRX 2524 G	2.4	2400	3400	3/4"	14mm	7.8
6511.0020.00**	VRX 2225 G TR	2.2	2500	3400	3/4"	14mm	8.0
6511.0025.00	VRX 2527 G	2.5	2700	3400	3/4"	14mm	7.8
6511.0033.00*	VRX 2527 G7	2.5	2700	3400	7/8"	14mm	8.8

TR-Thermal Relief

1-Egg-Crated Pallet Qty 120

2-Boxed Pallet Qty 84

- 3/4" Inlet – 3/8" MPT Outlet

VRX SERIES > PUMPS > VERTICAL

- 3/4" Inlet – 3/8" MPT Outlet

**Pallet Qty: 60-Boxed; 96 Egg-Crated
Exceptions Noted**

PART#	MODEL#	GPM	PSI	RPM	SHAFT	PISTON	WT
6511.0012.00	VRX 2017 V L46 AL ES	2.0	1700	3200	7.8"	14mm	8.0
6511.0023.00	VRX 2017 V L80 AL	2.0	1700	3200	7.8"	14mm	7.8
6511.0004.00	VRX 2022 V L46	2.0	2200	3200	7.8"	14mm	8.9
6511.0017.00	VRX 2022 V L80	2.0	2200	3200	7.8"	14mm	7.8
6511.0008.00*	VRX 2422 V L80	2.3	2200	3200	7.8"	14mm	9.0

May be made into four-hole mount with flange 3016.0042.00

*Boxed Pallet Qty 100

VRX Repair Kits (Kits also on Pages 64 & 65)

5026.0260.00	Piston Kit, All VRX Pumps	\$54.59	5026.0257.00	Valve Kit, 2200 PSI
5026.0265.00	Water Seal Kit, 1700 PSI	\$19.83	5026.0263.00	Valve Kit, 1700 PSI
5026.0256.00	Water Seal Kit, 2200+ PSI	\$56.04	5026.0270.00	Valve Kit, 2400+ PSI
			1215.0342.00	Regulator Valve Kit
			1215.0325.00	Regulator Valve Kit

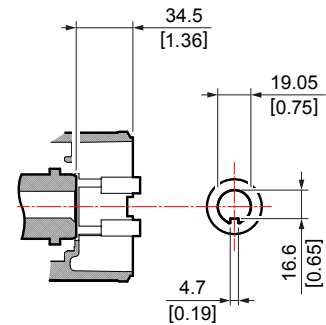
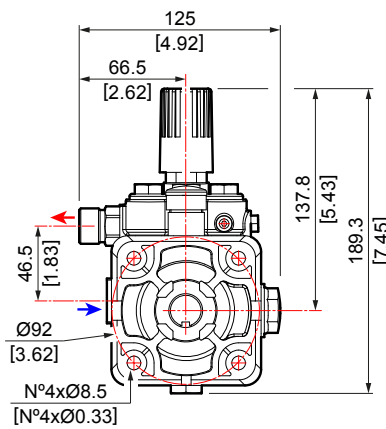
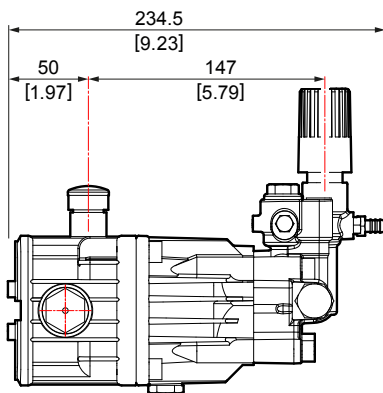
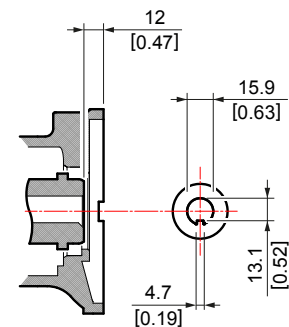
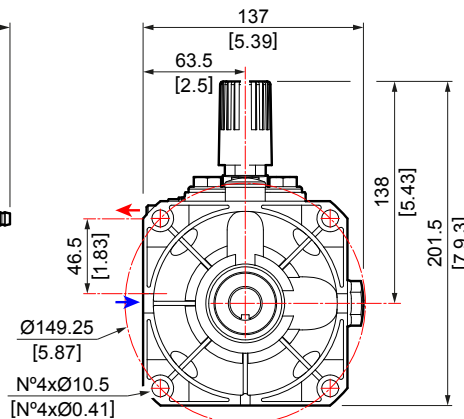
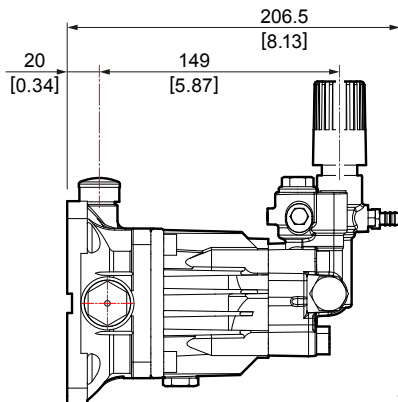


Comet Pumps a world of applications



COMMERCIAL PUMPS

BXD Series


(G Version) BXD
HOLLOW SHAFT Ø3/4"

(E Version) BXD, BXS
HOLLOW SHAFT Ø5/8"


- **Torque Specs Available on Page 65**
- **Additional Flows & Pressures are Available Upon Request**

- 1/2" Inlet (GH not included) – 3/8" MPT Outlet
- Built-in Uniflow Unloader and chemical injector
- Built-in Easy Start
- Stainless steel plungers (Ceramic Optional)
- Steel shaft with Built-in Key
- One Oil Cap for travel and operation
- Stainless steel check valves
- Forged brass manifold
- Patent registered Ball Bearing Design
- Optional Built-in Thermal Protector (#1215.0354.00)
- Optional Built-in Pressure Relief Valve (#1215.0311.00)
- Optional Built-in GH Inlet (#2800.0511.00)

Takes 4 Ounces Pump Oil

BXD SERIES > PUMPS > GAS FLANGE

3400 RPM - 3/4" Hollow Shaft (SAE J609A)

Pallet Qty: 84-Boxed; 72 Egg-Crated

- 1/2" Inlet – 3/8" MPT Outlet

PART#	MODEL#	GPM	PSI	RPM	SHAFT	PISTON	WT
6525.1003.00	BXD 2220 G	2.2	2000	3400	3/4" Hollow	14mm	11.0
6525.1004.00	BXD 3020 G	2.8	2000	3400	3/4" Hollow	14mm	11.0
6525.1001.00	BXD 2525G	2.2	2500	3400	3/4" Hollow	14mm	11.0
6525.1005.00	BXD 3025 G	2.8	2500	3200	3/4" Hollow	14mm	11.0
6525.1002.00	BXD 2527 G	2.4	2700	3400	3/4" Hollow	14mm	11.0

BXD SERIES > PUMPS > ELECTRIC FLANGE

3400 RPM - NEMA 56C-5/8" Hollow Shaft

Pallet Qty: 84-Boxed; 72 Egg-Crated

- 1/2" Inlet – 3/8" MPT Outlet

PART#	MODEL#	GPM	PSI	RPM	SHAFT	PISTON	WT
6525.1010.00	BXD 2020 E	1.9	2000	3400	5/8" Hollow	14mm	11.0
6525.1011.00	BXD 2520 E	2.5	2000	3400	5/8" Hollow	14mm	11.0
6525.1012.00	BXD 3020 E	2.8	2500	3400	3/8" Hollow	14mm	11.0

BXS SERIES > PUMPS > ELECTRIC FLANGE

1750 RPM - NEMA 56C-5/8" Hollow Shaft

Pallet Qty: 84-Boxed; 72 Egg-Crated

- 1/2" Inlet – 3/8" MPT Outlet

PART#	MODEL#	GPM	PSI	RPM	SHAFT	PISTON	WT
6526.1001.00	BXS 0615 E	0.6	1500	1750	5/8" Hollow	14mm	11.0

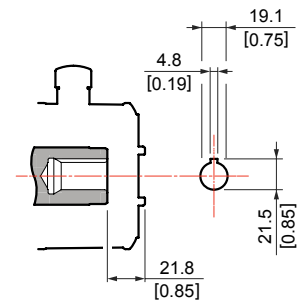
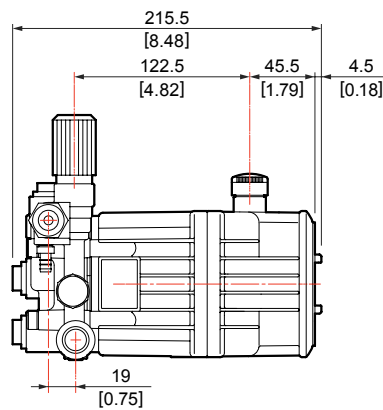
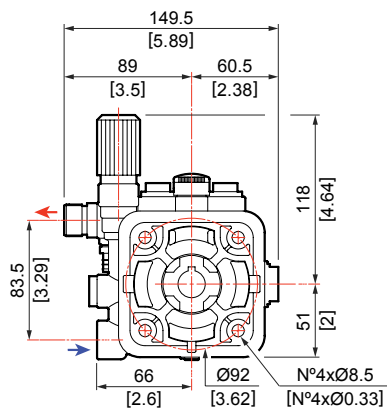
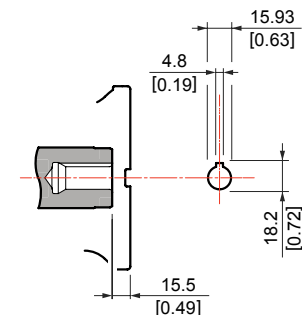
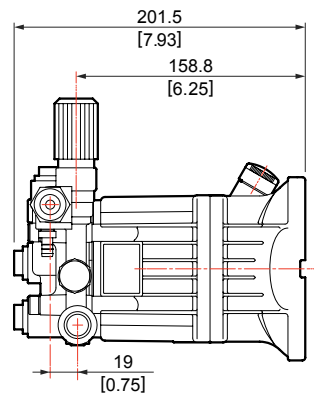
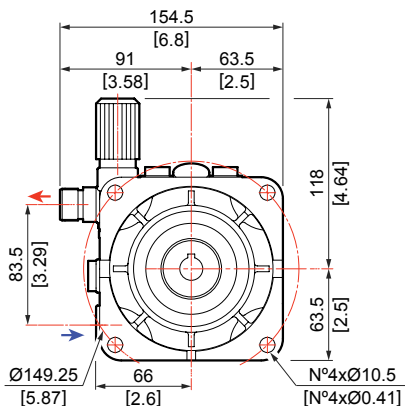
BXD Repair Kits (Kits also on Pages 64 & 65)

5019.0667.00	Seal Kit, Water, Gas
5019.0671.00	Seal Kit, Water, Electric
5019.0250.00	Seal Kit, Oil
5025.0027.00	Check Valve Kit
1215.0584.00	Unloader Valve Kit, 1885 PSI
1215.0585.00	Unloader Valve Kit, 2610 PSI
1215.0586.00	Unloader Valve Kit, 4000 PSI



COMMERCIAL PUMPS

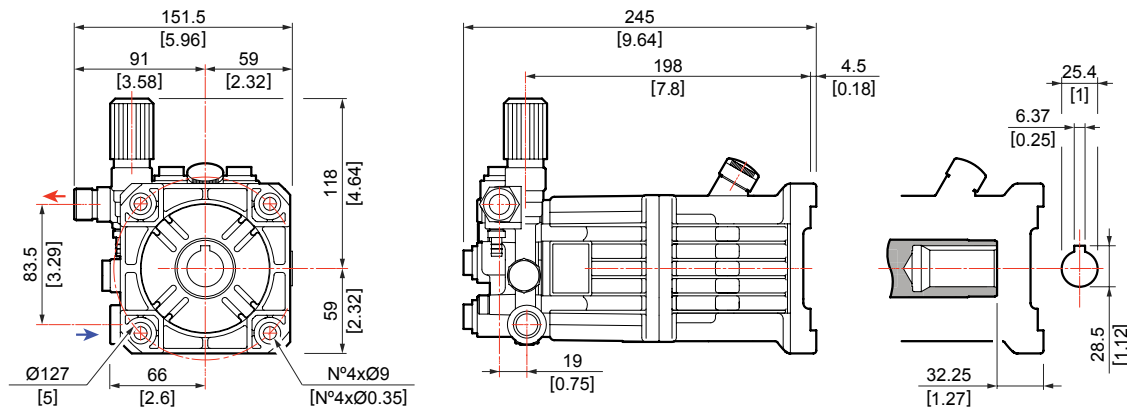
AXD Series


(G Version max 186 bar / 7200 psi) AXD
HOLLOW SHAFT Ø3/4"

(E Version) AXD, AXS
HOLLOW SHAFT Ø5/8"




(G Version max 200 bar / 3000 psi) AXD

HOLLOW SHAFT Ø1"



- **Torque Specs Available on Page 65**
- **Additional Flows & Pressures are Available Upon Request**

- 3/4"GH Inlet – 3/8" MPT Outlet
- Built-in Uniflow Unloader and Chemical injector with Inner Stainless Steel Parts
- Abrasion Proof, Heat Resistant, Industrial ceramic Plungers
- Stainless Steel Unitized Check Valves
- Forged Brass Manifold
- Industrial Duty Construction for Extended Life
- Patent Registered Ball Bearing Design
- Built-in Garden Hose Adapter
- Double-Sealing Buna-Textile V-Packing
- Optional Built-in Thermal Protector (#1215.0354.00)
- Optional Built-in Pressure Relief Valve (#1215.0311.00)

Takes 6 Ounces Pump Oil

AXD SERIES > PUMPS > GAS FLANGE

3400 RPM - 3/4" Hollow Shaft (SAE J609A)

Pallet Qty: 100-Boxed; 96 Egg-Crated
*Exception Below

- 3/4" Inlet – 3/8" MPT Outlet

PART#	MODEL#	GPM	PSI	RPM	SHAFT	PISTON	WT
6501.0005.00	AXD 3020 G	2.7	2000	3400	3/4" Hollow	14mm	13.0
6501.0008.00	AXD 3522 G	3.3	2200	3400	3/4" Hollow	14mm	13.0
6501.0050.00	AXD 2524 G-T	2.4	2400	3400	3/4" Hollow	14mm	13.0
6501.0051.00	AXD 2524 G	2.4	2400	3400	3/4" Hollow	14mm	13.0
6501.0006.00	AXD 3025 G	2.9	2500	3400	3/4" Hollow	14mm	13.0
6501.0017.00	AXD 3525 G	3.3	2500	3400	3/4" Hollow	14mm	13.0
6501.0063.00	AXD 2427 G	2.4	2700	3400	3/4" Hollow	14mm	13.0
6501.0059.00	AXD 2527 G-T	2.5	2700	3400	3/4" Hollow	14mm	13.0
6501.0025.00	AXD 2527 G	2.5	2700	3400	3/4" Hollow	14mm	13.0
6501.0065.00*	AXD 2527 G	2.5	2700	3400	3/4" Hollow	14mm	13.0

"T" Denotes Stainless Steel Pistons; * Includes Thermal Relief & Plug; Pallet Qty: 60 Boxed, 100 Egg-Crated
1-Egg-Crated Pallet Qty 100

AXD SERIES > PUMPS > ELECTRIC FLANGE

1750 & 3400 RPM - 5/8" & 3/4" Hollow Shaft

NEMA 56C Electric Motor Flange

Pallet Qty: 60-Boxed; 72 Egg-Crated *Exceptions below

- 3/4" Inlet – 3/8" MPT Outlet

PART #	MODEL #	GPM	PSI	RPM	SHAFT	PISTON	WT
6502.0009.00	AXS 0415 E	0.4	1500	1750	5/8" Hollow	14mm	13
6502.0010.00	AXS 0615 E	0.6	1500	1750	5/8" Hollow	14mm	13
6502.0005.00	AXS 0915 E	0.9	1500	1750	5/8" Hollow	14mm	13
6502.0008.00	AXS 1315 E	1.3	1500	1750	5/8" Hollow	14mm	13
6502.0006.00 ³	AXS 2015 E	1.7	1500	1750	5/8" Hollow	14mm	13
6501.0038.00* ¹	AXD 2020 E	1.7	2000	3400	5/8" Hollow	14mm	13
6501.0010.00	AXD 2020 E	1.9	2000	3400	5/8" Hollow	14mm	13
6501.0098.00	AXD 2020 E-T	1.9	2000	3400	5/8" Hollow	14mm	13
6501.0012.00	AXD 2520 E	2.5	2000	3400	5/8" Hollow	14mm	13
6501.0013.00	AXD 3020 E	2.9	2000	3400	5/8" Hollow	14mm	13
6501.0087.00	AXD 3020 GE	2.9	2000	3400	3/4" Hollow	14mm	13
6501.0090.00 ²	AXD 2527 GE	2.5	2700	3400	3/4" Hollow	14mm	13

*5.5 Degree Cam 1-70 Egg-Crated 2-96 Boxed 3-60 Egg-Crated

"T" Denotes Stainless Steel Pistons

AXD SERIES > PUMPS > GAS FLANGE

3400 RPM - 1" Hollow Shaft (SAE J609B)

Pallet Qty: 60-Boxed; 72 Egg-Crated

- 3/4" Inlet – 3/8" MPT Outlet

PART #	MODEL #	GPM	PSI	RPM	SHAFT	PISTON	WT
6501.0024.00	AXD 3030 G	2.9	3000	3400	1" Hollow	14mm	14.5
6501.0027.00	AXD 3530 G	3.3	3000	3400	1" Hollow	14mm	14.5
6501.0023.00	AXD 4030 G	3.7	3000	3400	1" Hollow	14mm	14.5

AXD Repair Kits (Kits also on Pages 64 & 65)

AXD up to 2400 PSI Repair Kits

5019.0077.00	Seal Kit, Water
1215.0585.00	Unloader Repair Kit, 2610 PSI
5025.0014.00	Check Valve Kit Universal
2409.0092.00	Piston Kit
5019.0079.00	Seal Kit, Oil

AXD 2500+ PSI Repair Kits

5019.0077.00	Seal Kit, Water
1215.0585.00	Unloader Repair Kit, 4000 PSI
5025.0014.00	Check Valve Kit Universal
2409.0092.00	Piston Kit
5019.0079.00	Seal Kit, Oil

AXD 3000 PSI Repair Kits

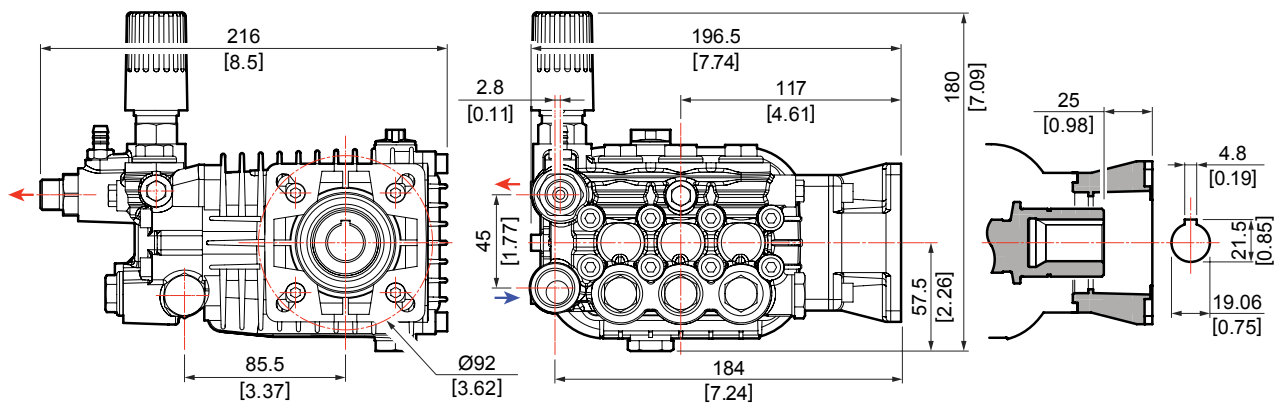
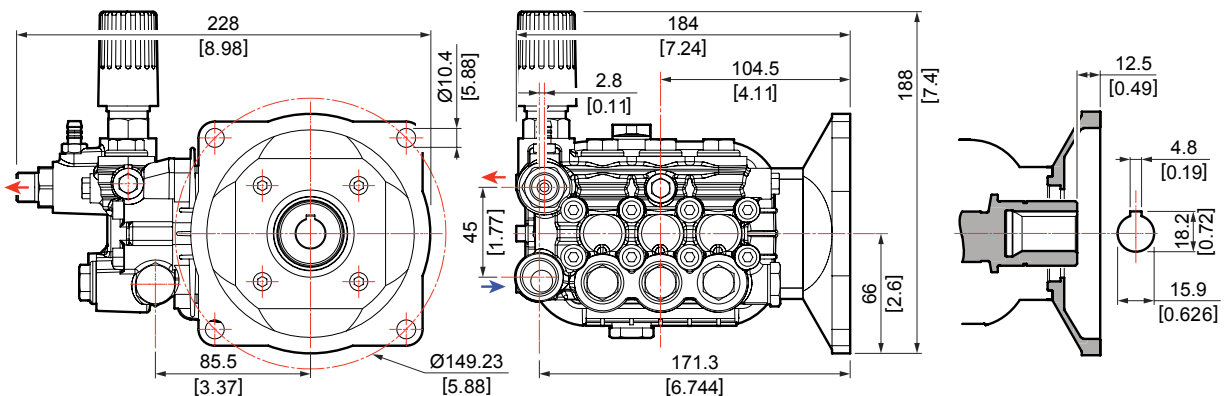
5019.0086.00	Seal Kit, Water
1215.0586.00	Unloader Repair Kit, 4000 PSI
5025.0014.00	Check Valve Kit Universal
2409.0103.00	Piston Kit
5019.0079.00	Seal Kit, Oil





COMMERCIAL PUMPS

BWD-K Series


(G Version) BWD-K
HOLLOW SHAFT Ø3/4"

(E Version) BWD-K
HOLLOW SHAFT Ø5/8"


- **Torque Specs Available on Page 65**

- 1/2" FPT Inlet – 3/8" MPT Outlet
- Built-in Uniflow Unloader and Fixed Chemical Injector
- Double Seal Packings (High & Low)
- Anodized Crankcase
- Ceramic Plungers
- Forged Brass Manifold
- Stainless Steel Check Valves

Takes 10 Ounces Pump Oil

BWD-K SERIES > PUMPS > GAS FLANGE

3400 RPM - 3/4" Hollow Shaft (SAE J609A) - Gas

Pallet Qty: 60-Boxed; 60 Egg-Crated

- 1/2" FPT Inlet – 3/8" MPT Outlet

Pump with Built-In Unloader

PART#	MODEL#	GPM	PSI	RPM	SHAFT	PISTON	WT
6521.0250.00	BWD 3020 G-K	3.0	2000	3400	3/4" Hollow	14mm	12.6
6521.0150.00	BWD 2527 G-K	2.6	2700	3400	3/4" Hollow	14mm	13.1
6521.0350.00	BWD 3027 G-K	3.0	2700	3400	3/4" Hollow	14mm	12.9

BWD-K SERIES > PUMPS > ELECTRIC FLANGE

3400 RPM - 5/8" Hollow Shaft (NEMA 56C) - Electric

Pallet Qty: 60-Boxed; 60 Egg-Crated

- 1/2" FPT Inlet – 3/8" MPT Outlet

Pump with Built-In Unloader

PART#	MODEL#	GPM	PSI	RPM	SHAFT	PISTON	WT
6521.0450.00	BWD 2020 E-K	1.9	2000	3400	5/8" Hollow	14mm	14.0
6521.0251.00	BWD 3020 E-K	2.7	2000	3400	5/8" Hollow	14mm	14.0

BW Repair Kits (Hot and Standard Kits also on pages 64 & 65)

5019.0686.00	Seal Kit, Water, 2700 PSI
5019.0684.00	Seal Kit, Water, 2000 PSI
5019.0685.00	Seal Kit, Oil
5025.0030.00	Valve Kit
1215.0585.00	Unloader Valve Kit, 2610 PSI
1215.0586.00	Unloader Valve Kit, 4000 PSI



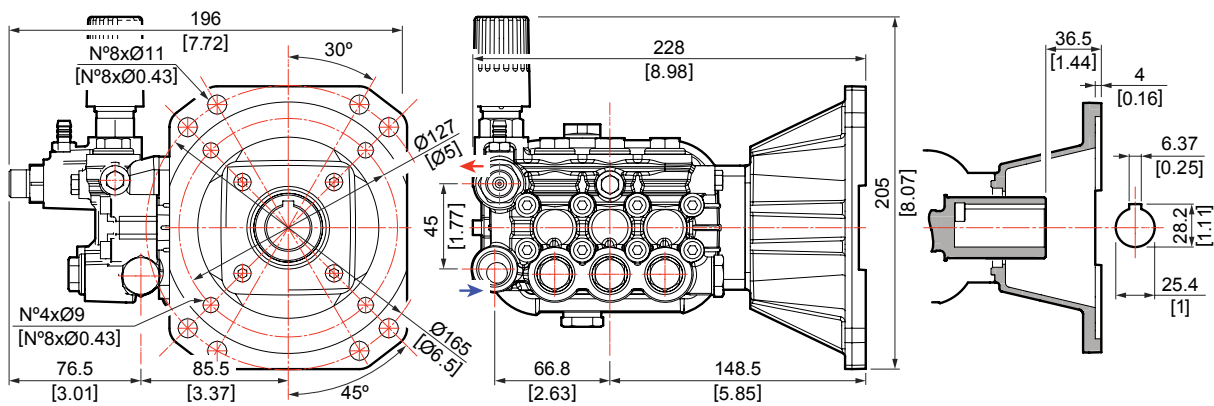
COMMERCIAL PUMPS

AWD-K Series



(G Version) AWD-K

HOLLOW SHAFT Ø1"



• **Torque Specs Available on Page 65**

- 1/2" FPT Inlet – 3/8" MPT Outlet
- Built-in Uniflow Unloader and Fixed Chemical Injector
- Double Seal Packings (High & Low)
- Anodized Crankcase
- Ceramic Plungers
- Forged Brass Manifold
- Stainless Steel Check Valves

Takes 10 Ounces Pump Oil

AWD-K SERIES > PUMPS > GAS FLANGE

3400 RPM - 1" Hollow Shaft (SAE J609B)

Pallet Qty: 60-Boxed; 60 Egg-Crated

- 1/2" FPT Inlet – 3/8" MPT Outlet

Pump with Built-In Unloader

PART#	MODEL#	GPM	PSI	RPM	SHAFT	PISTON	WT
6520.0150.00	AWD 3030 G-K	3.0	3000	3400	1" Hollow	14mm	14.4
6520.0250.00	AWD 3530 G-K	3.5	3000	3400	1" Hollow	14mm	14.4
6520.0350.00	AWD 4030 G-K	4.0	3000	3400	1" Hollow	14mm	14.4
6520.0450.00	AWD 4036 G-K	4.0	3600	3400	1" Hollow	14mm	14.4

K-Built-In Unloader

AW Repair Kits (Kits also on Pages 64 & 65)

5016.0686.00	AW Water Seal Kit
5019.0687.00	AW Oil Seal Kit
5025.0030.00	Valve Kit
1215.0586.00	Unloader Kit (4000 PSI)



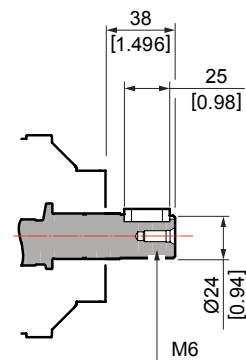
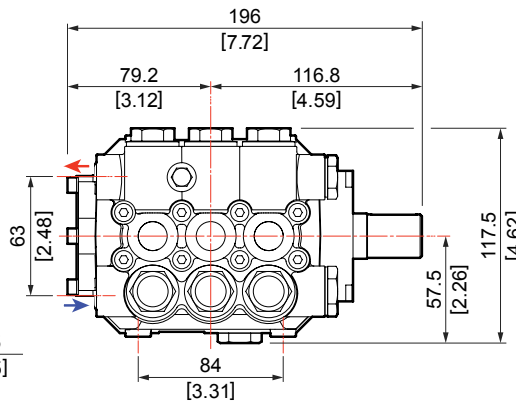
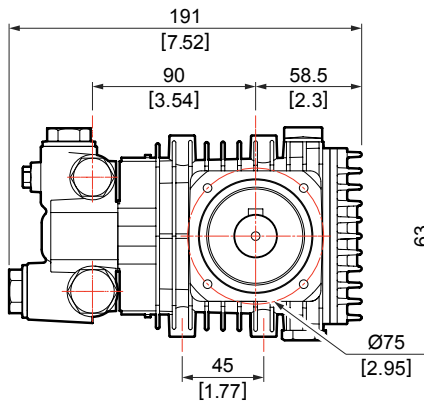


INDUSTRIAL PUMPS

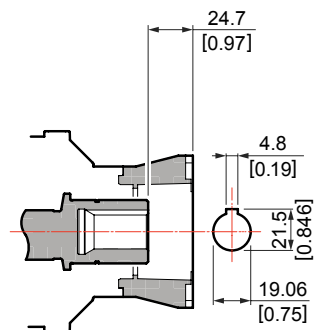
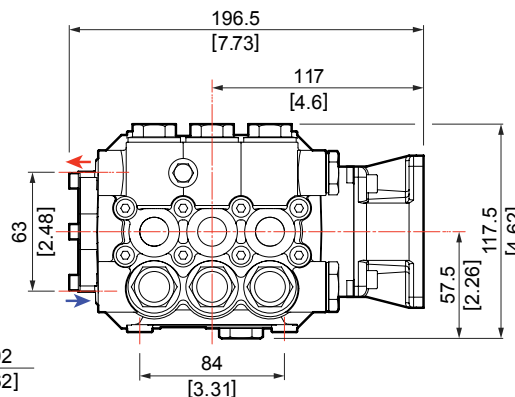
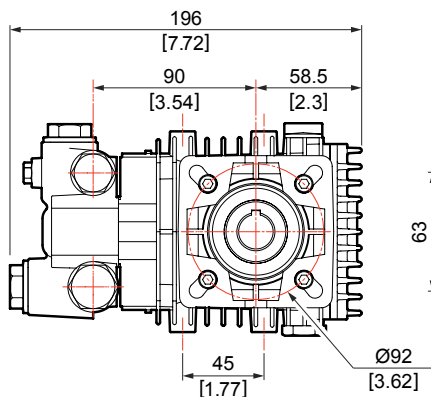
LW Series



ON REQUEST


(S Version) LW, LWS, LWD
SOLID SHAFT Ø24 mm


ON REQUEST


(G Version) LWD
HOLLOW SHAFT Ø3/4"


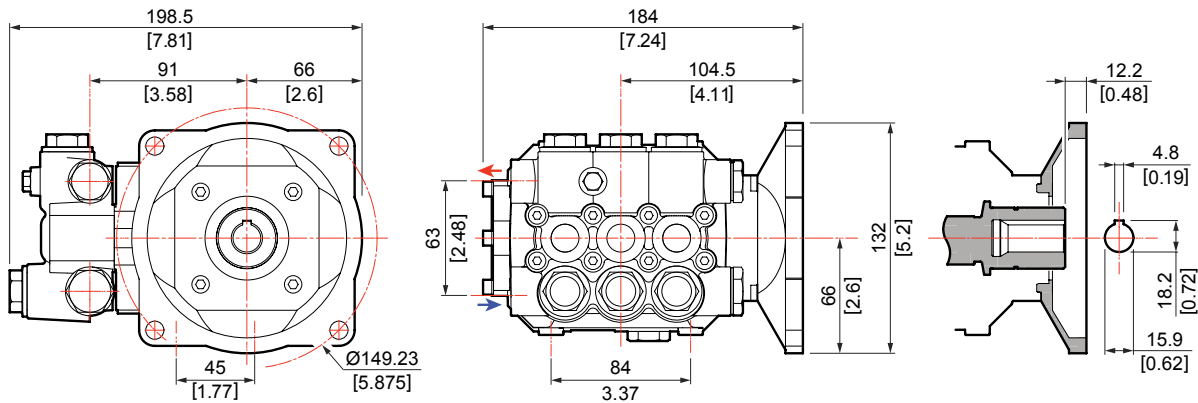


ON REQUEST



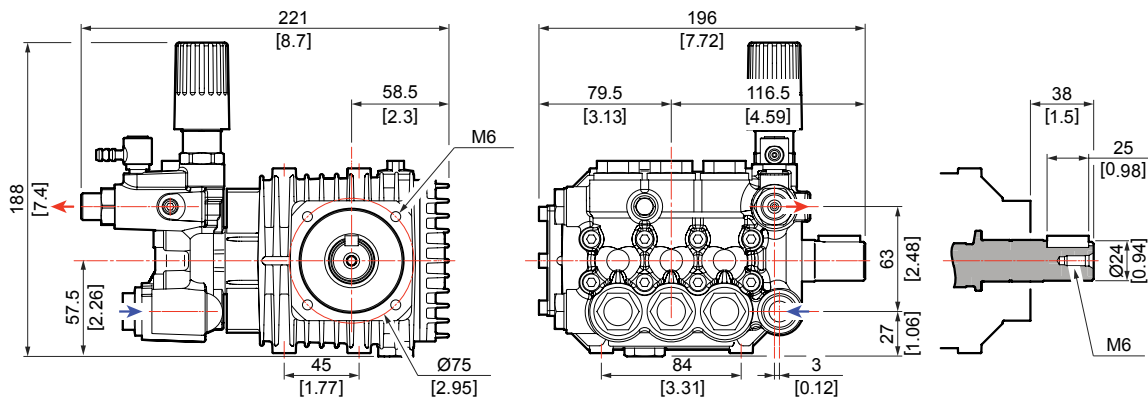
(E Version) LWS, LWD

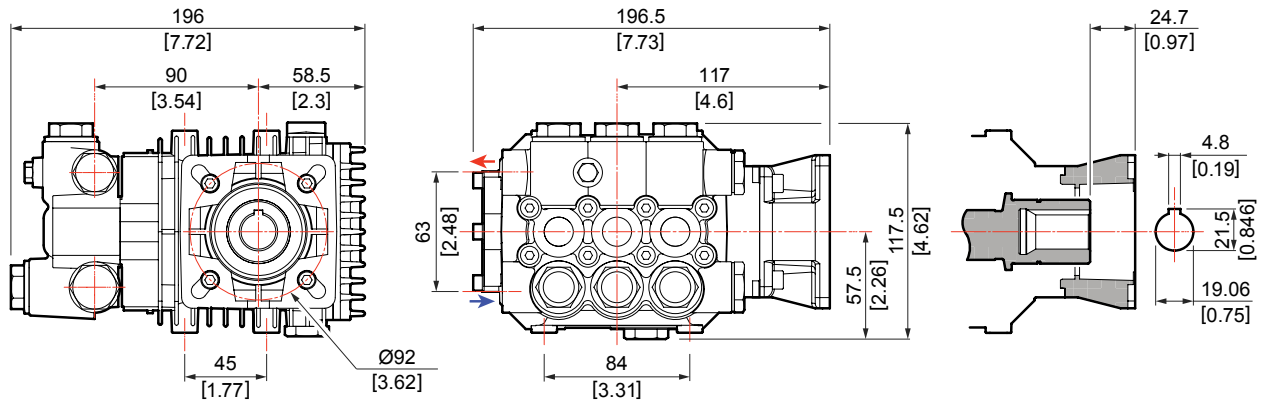
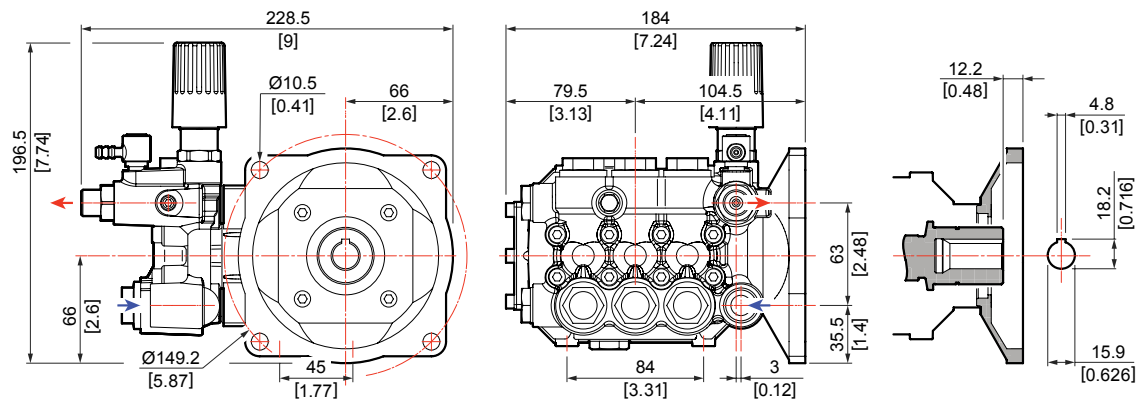
HOLLOW SHAFT Ø5/8"



(S Version) LW-K, LWS-K

SOLID SHAFT Ø24 mm




(G Version) LWD-K
HOLLOW SHAFT Ø3/4"

(E Version) LWD-K
HOLLOW SHAFT Ø5/8"




• **Torque Specs Available on Page 65**

- 1/2" FPT Inlet – 3/8" FPT Outlet (except where indicated)
- Reversible Crankshaft for Easy Right or Left Hand Mounting
- Forged Bronze Connecting Rods with Lifetime Warranty
- Hardened Stainless Steel Piston Guides
- High Efficiency Stainless Steel Check Valves
- Abrasion Proof, Heat Resistant, Industrial Ceramic Plungers
- High Quality Buna-Textile Double-Sealing V-Packings
- Solid or Hollow Shaft
- Die-Cast, Anodized Aluminum Crankshaft-Fin Design for Optimal Operating Temperature
- Flange for Direct Mounting to Gas Engines or Electric Motors
- High Quality Oversized Ball Bearings
- Optimal Oil Bath for High Speed Operation

Takes 11 Ounces Pump Oil

LW SERIES > PUMPS > SOLID SHAFT

1450 RPM - 24mm Solid Shaft

- 1/2" FPT Inlet – 3/8" FPT Outlet
- 24 mm Solid, Keyed Shaft
- **Pallet Qty: 100 (Boxed or Egg-Crated)**

PART#	MODEL#	GPM	PSI	RPM	SHAFT	PISTON	WT
6300.1501.00x	LW 0509 S	0.5	1500	1450	24mm Solid	15mm	13.4
6300.1401.00x	LW 1009 S	1.0	1500	1450	24mm Solid	18mm	13.4
6300.1601.00x	LW 1509 S	1.5	1500	1450	24mm Solid	18mm	13.4
6300.0502.00	LW 2020 S	2.1	2000	1450	24mm Solid	15mm	13.4
6300.0303.00	LW 3020 S	3.0	2000	1450	24mm Solid	18mm	13.4
6300.0700.00	LW 3025 S	3.0	2500	1450	24mm Solid	18mm	13.4
6300.0800.00	LW 3525 S	3.5	2500	1450	24mm Solid	18mm	13.4

x-3/8" Inlet

A=Aluminum Manifold

LWS SERIES > PUMPS > SOLID SHAFT

1750 RPM - 24mm Solid Shaft

- 1/2" FPT Inlet – 3/8" FPT Outlet
- 24 mm Solid, Keyed Shaft
- **Pallet Qty: 100 (Boxed or Egg-Crated)**

PART#	MODEL#	GPM	PSI	RPM	SHAFT	PISTON	WT
6301.2700.00x	LWS 0609 S	0.5	1500	1750	24mm Solid	15mm	13.4
6301.2500.00x	LWS 1209 S	1.2	1500	1750	24mm Solid	18mm	13.4
6301.2600.00x	LWS 1809 S	1.8	1500	1750	24mm Solid	18mm	13.4
6301.0101.00	LWS 2020 S	2.2	2000	1750	24mm Solid	15mm	13.4
6301.0601.00	LWS 3020 S	3.1	2000	1750	24mm Solid	18mm	13.4
6301.1400.00	LWS 4020 S	4.0	2000	1750	24mm Solid	18mm	13.4
6301.1300.00	LWS 3025 S	3.2	2500	1750	24mm Solid	18mm	13.4
6301.1201.00	LWS 3525 S	3.5	2500	1750	24mm Solid	18mm	13.4

x-3/8" Inlet

*97 Egg-Crated

Pump with Built-In Unloader

6301.1350.00	LWS 3025 S-K	3.2	2500	1750	24mm Solid	15mm	17.00
--------------	--------------	-----	------	------	------------	------	-------

K-Built-In Unloader; Pallet Qty 60 Boxed

LWD SERIES > PUMPS > SOLID SHAFT

3400 RPM - 24mm Solid Shaft

- 1/2" FPT Inlet – 3/8" FPT Outlet
- Pallet Qty: 100 (Boxed or Egg-Crated)

PART#	MODEL#	GPM	PSI	RPM	SHAFT	PISTON	WT
6303.0507.00	LWD 3020 S	3.0	2000	3400	24mm Solid	15mm	13.4
6303.0803.00	LWD 3522 S	3.5	2200	3400	24mm Solid	18mm	13.4
6303.0702.00	LWD 3025 S	3.0	2500	3400	24mm Solid	18mm	13.4

LWD SERIES > PUMPS > GAS FLANGE

3400 RPM 3/4" Hollow Shaft (SAE J609A)

- 1/2" FPT Inlet – 3/8" FPT Outlet
- Gas Engine Mounting Flange with 3/4" Hollow Shaft
- Pallet Qty: 100 (Boxed or Egg-Crated)

PART#	MODEL#	GPM	PSI	RPM	SHAFT	PISTON	WT
6303.0104.00*	LWD 2020 G	2.1	2000	3400	3/4" Hollow	15mm	13.4
6303.1600.00	LWD 2520 G	2.5	2000	3400	3/4" Hollow	15mm	13.4
6303.0508.00	LWD 3020 G	3.0	2200	3400	3/4" Hollow	15mm	13.4
6303.0802.00	LWD 3522 G	3.5	2200	3400	3/4" Hollow	15mm	13.4
6303.0701.00*	LWD 3025 G	3.0	2500	3400	3/4" Hollow	15mm	13.4
6303.1700.00	LWD 2525 G	2.5	2700	3400	3/4" Hollow	15mm	13.4

1-Pallet Qty 97 Egg-Crated - 2-Pallet Qty 96 Egg-Crated

- Pallet Qty: 60 (Boxed or Egg-Crated)

Pump with Built-In Unloader

PART#	MODEL#	GPM	PSI	RPM	SHAFT	PISTON	WT
6303.0157.00	LWD 2020 G-K	2.1	2000	3400	3/4" Hollow	15mm	13.4
6303.1652.00	LWD 2520 G-K	2.5	2000	3400	3/4" Hollow	15mm	13.4
6303.0558.00	LWD 3020 G-K	3.0	2000	3400	3/4" Hollow	15mm	13.4
6303.0754.00	LWD-3025 G-K	3.0	2500	3400	3/4" Hollow	15mm	16.0
6303.1751.00	LWD 2525 G-K	2.5	2700	3400	3/4" Hollow	15mm	16.0
6303.1750.00*	LWD 2525 G-K	2.5	2700	3400	3/4" Hollow	15mm	16.0
6303.2100.00*	LWD 2527 G-RF	2.5	2700	3400	3/4" Hollow	15mm	16.0

*Fixed injector; RF-Bolt-on Unloader; K-Built-In Unloader

1-Pallet Qty 100 Egg-Crated

LWS SERIES > PUMPS > ELECTRIC FLANGE

1750 RPM - NEMA 56C - 5/8" or 3/4" Hollow Shaft

- 1/2" FPT Inlet – 3/8" FPT Outlet
- NEMA 56C Electric Motor Flange with 5/8" Hollow Shaft

- **Pallet Qty: 100-Boxed; 72-Egg-Crated**

PART#	MODEL#	GPM	PSI	RPM	SHAFT	PISTON	WT
6301.2701.00x	LWS 0609 E	0.6	1500	1750	5/8" Hollow	15mm	13.4
6301.2501.00x	LWS 1209 E	1.2	1500	1750	5/8" Hollow	18mm	13.4
6301.2601.00x	LWS 1809 E	1.8	1500	1750	5/8" Hollow	18mm	13.4
6301.2300.00x	LWS 0409 GE	0.4	1500	1750	3/4" Hollow	18mm	13.4
6301.0102.00	LWS 2020 E	2.2	2000	1750	5/8" Hollow	15mm	13.4
6301.0604.00	LWS 3020 E	3.0	2000	1750	5/8" Hollow	18mm	13.4
6301.0602.00	LWS 3520 E	3.6	2000	1750	5/8" Hollow	18mm	13.4

x-3/8" Inlet

Pump with Built-In Unloader

6301.0654.00* LWS 3020 E-K 3.0 2000 1750 5/8" Hollow 18mm 13.4

K-Built-In Unloader; Pallet Qty 60 (Boxed or Egg-Crated)

LWD SERIES > PUMPS > ELECTRIC FLANGE

3400 RPM - NEMA 56C -5/8" or 3/4" Hollow Shaft

- 1/2" FPT Inlet – 3/8" FPT Outlet
- NEMA 56C Electric Motor Flange with 5/8" or 3/4" Hollow Shaft

- **Pallet Qty: 100 Boxed; 72 Egg-Crated**

PART#	MODEL#	GPM	PSI	RPM	SHAFT	PISTON	WT
6303.0105.00	LWD 2020 E	2.1	2000	3400	5/8" Hollow	15mm	13.4
6303.0509.00	LWD 3020 E	3.0	2000	3400	5/8" Hollow	15mm	13.4
6303.0806.00	LWD 3522 E	3.5	2000	3400	5/8" Hollow	15mm	13.4
6303.0804.00	LWD 3522 GE	3.5	2000	3400	3/4" Hollow	15mm	13.4

Pump with Built-In Unloader

6303.0156.00 LWD 2020 E-K 2.1 2000 3400 5/8" Hollow 15mm 13.4

K-Built-In Unloader

LW Series Mounting Rail Kits

5011.0184.00

Standard Rail Kit for LW Series Pump

5011.0216.00

Tall Rail Kit for LW Series Pump

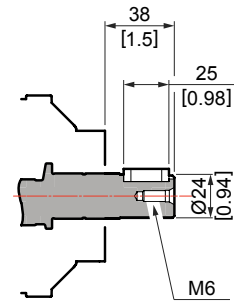
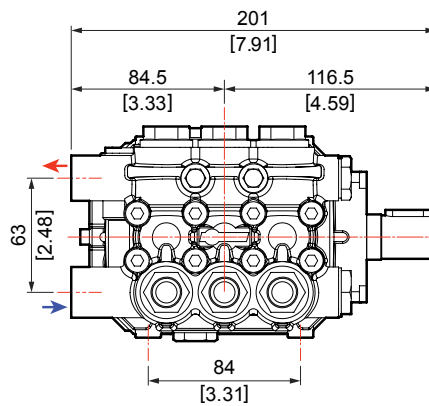
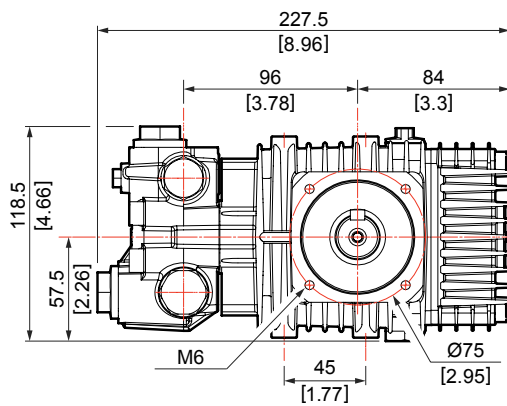
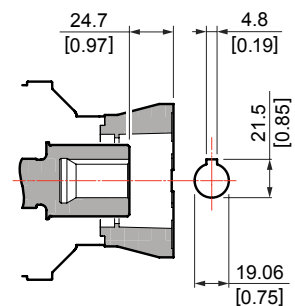
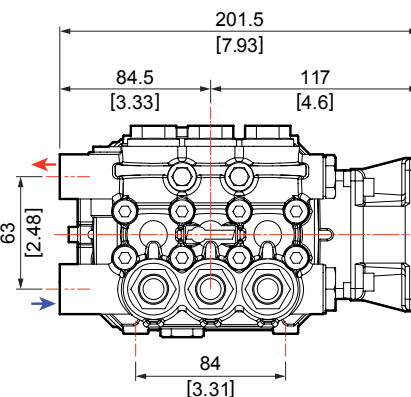
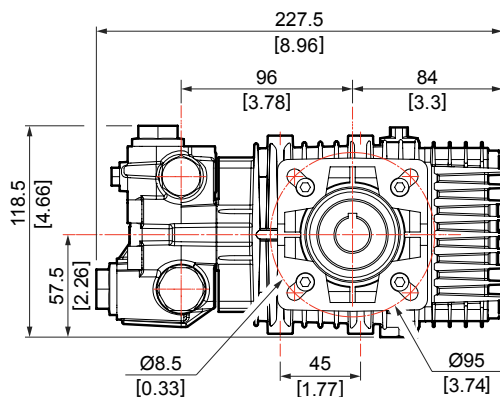
LW Series Repair Kits (Hot and Standard Kits also on Pages 64 & 65)

5019.0035.00	LW Water Seal Kit, 15mm	1215.0584.00	Unloader Valve Kit, 1885 PSI
5019.0037.00	LW Water Seal Kit, 18mm	1215.0585.00	Unloader Valve Kit, 2610 PSI
5019.0040.00	LW Oil Seal Kit, Solid Shaft	1215.0586.00	Unloader Valve Kit, 4000 PSI
5019.0041.00	LW Oil Seal Kit, Hollow Shaft	5026.0123.00	Unloader Maintenance Kit
2409.0071.00	LW Piston Kit, 15mm	5019.0048.00	Hot Water Kit, 15mm
2409.0072.00	LW Piston Kit, 18mm	5019.0049.00	Hot Water Kit, 18mm
5025.0011.00	LW Check Valve Kit	5019.0051.00	Viton Seal Kit, 15mm
5026.0130.00	Unloader Rebuild Kit	5019.0050.00	Viton Seal Kit, 18mm



INDUSTRIAL PUMPS

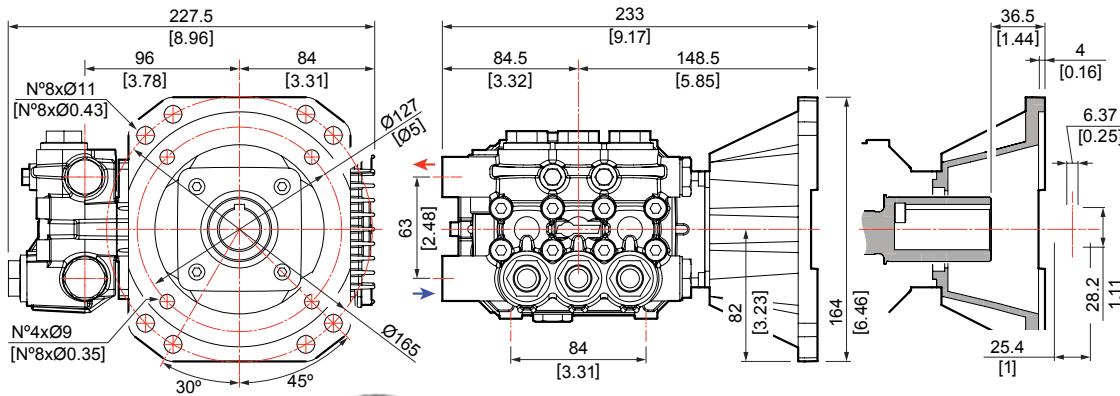
ZWD Series


(S Version) ZWD
SOLID SHAFT Ø24 mm

(G Version) ZWD
HOLLOW SHAFT Ø3/4"




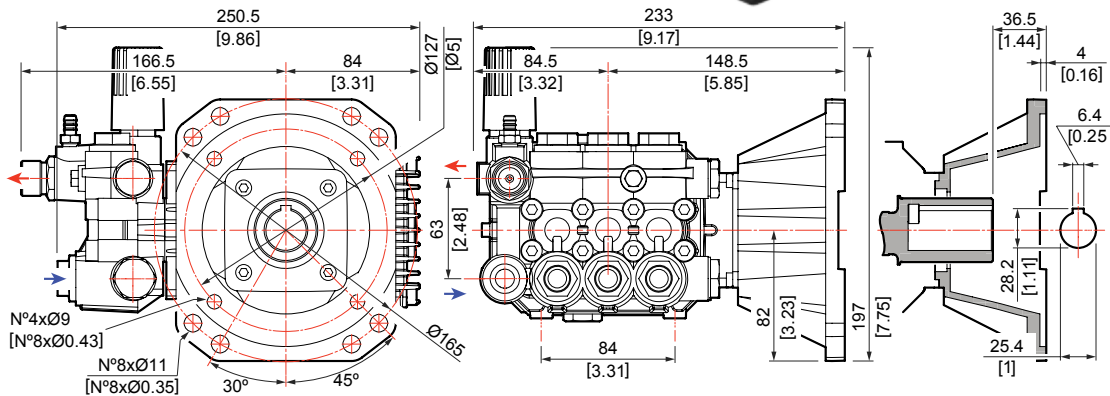
(G Version) ZWD

HOLLOW SHAFT Ø1"



(G Version) ZWD-K

HOLLOW SHAFT Ø1"



• **Torque Specs Available on Page 65**

- 1/2" FPT Inlet – 3/8" Outlet (see pump sections for M or F)
- Reversible Crankshaft for Easy Right or Left Hand Mounting
- Increased Fin Depth Increases Surface Area to Maximize Heat Dissipation
- Stainless Steel Unitized Check Valves
- Heat-Resistant Solid Ceramic Plungers Operating on Lubricated Packings
- Direct Drive Mounting Flange
- Reinforced Crankcase for Increased Load Capacity
- Enlarged Crankcase Increases Oil Capacity for Better Lubrication and Lower Operating Temperatures
- One-Piece Industrial-Grade Oversized Bronze Connecting Rods

Takes 14 Ounces Pump Oil

ZWD SERIES > PUMPS > SOLID SHAFT

3400 RPM - 24mm Solid Shaft

Pallet Qty: 60-Boxed; 60 Egg-Crated

- 1/2" FPT Inlet, 3/8" FPT Outlet
- 24mm Solid, Keyed Shaft

PART#	MODEL#	GPM	PSI	RPM	SHAFT	PISTON	WT
6305.0603.00	ZWD 4030 S	4.0	3000	3400	24mm Solid	15mm	17.4

***Aluminum Connecting Rod**

ZWD SERIES > PUMPS > GAS FLANGE

3400 RPM - 3/4" Hollow Shaft (SAE J609A) 3400 RPM - 1" Hollow Shaft (SAE J609B)

Pallet Qty: 60-Boxed; 60 Egg-Crated

- 1/2" FPT Inlet, 3/8" FPT Outlet
- Gas Engine Mounting Flange

PART#	MODEL#	GPM	PSI	RPM	SHAFT	PISTON	WT
6305.0104.00*	ZWD 3030 G	3.0	3200	3400	3/4" Hollow	15mm	17.5
6305.1900.00	ZWD 2535 G	2.5	3500	3400	3/4" Hollow	15mm	17.5
NEW 6305.2100.00	ZWD 4530 G	4.6	3000	3400	1" Hollow	15mm	17.5
6305.1600.00	ZWD 3035 G	3.0	3500	3400	1" Hollow	15mm	17.5
6305.1700.00	ZWD 3535 G	3.4	3500	3400	1" Hollow	15mm	17.5
6305.1800.00**	ZWD 4035 G	4.0	3500	3400	1" Hollow	15mm	17.5
6305.1100.00	ZWD 3040 G	3.0	4000	3400	1" Hollow	15mm	17.5
6305.1000.00	ZWD 3540 G	3.4	4000	3400	1" Hollow	15mm	17.5
6305.0900.00	ZWD 4040 G	4.0	4000	3400	1" Hollow	15mm	17.5

***Aluminum Connecting Rod**

****60 Egg-Crated**

ZWD SERIES > PUMPS > GAS FLANGE

3400 RPM - 1" Hollow Shaft (SAE J609B)

Pallet Qty: 60-Boxed; 60 Egg-Crated

- 1/2" FPT Inlet, 3/8" MPT Outlet
- Gas Engine Mounting Flange

Pump with Built-In Unloader

PART#	MODEL#	GPM	PSI	RPM	SHAFT	PISTON	WT
6305.1650.00	ZWD 3035 G-K	3.0	3500	3400	1" Hollow	15mm	19.5
6305.1750.00	ZWD 3535 G-K	3.4	3500	3400	1" Hollow	15mm	19.5
6305.1850.00	ZWD 4035 G-K	4.0	3500	3400	1" Hollow	15mm	19.5
6305.0906.00 ¹	ZWD 4035 G-RF	4.0	3500	3400	1" Hollow	15mm	21
6305.1052.00	ZWD 3540 G-K	3.5	4000	3400	1" Hollow	15mm	21.8
6305.1503.00 ²	ZWD 4040 G-K	4.0	4000	3400	1" Hollow	15mm	22

RF-Bolt-on Unloader

K-Built-In Unloader

¹ - Pallet Qty 100 Egg-Crated

² - EZ Start

ZW Series Mounting Rail Kits

5011.0184.00

Standard Rail Kit for RW Series Pump

5011.0216.00

Tall Rail Kit for RW Series Pump

ZW Series Repair Kits (Kits also on Pages 64 & 65)

5019.0064.00 ZWD Seal Kit, 15mm

5019.0040.00 ZWD Oil Seal Kit, Solid Shaft

5025.0011.00 Check Valve Kit

5019.0065.00 ZWD Oil Seal Kit, Hollow Shaft

1215.0586.00 Unloader Kit (4000 PSI)

5019.0048.00 Hot Water Kit, 15mm

2409.0071.00 ZWD Piston Kit, 15mm

5019.0051.00 Viton Seal Kit, 15mm





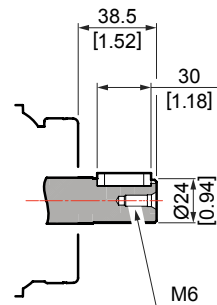
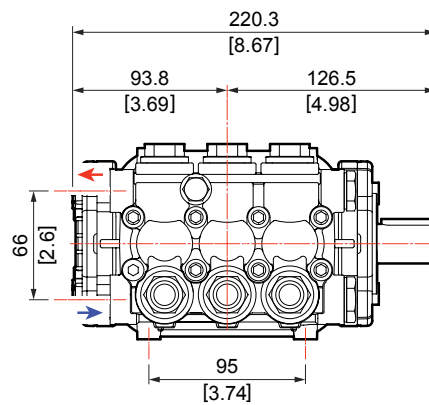
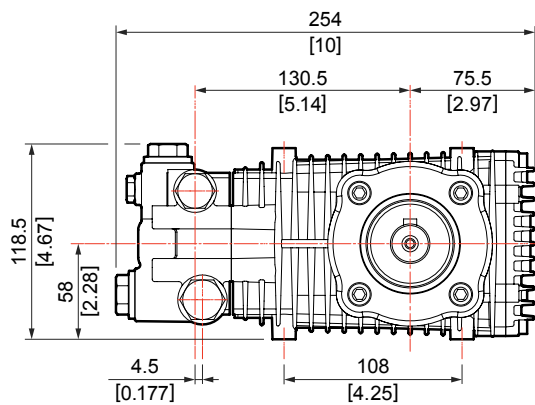
INDUSTRIAL PUMPS

FW2 Series



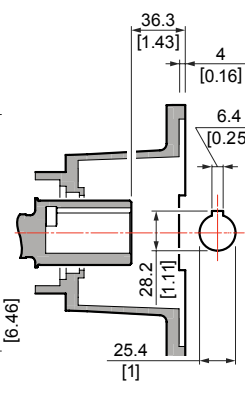
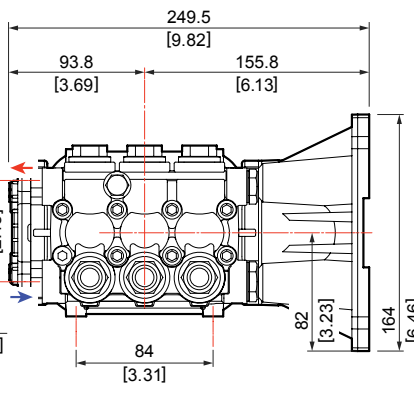
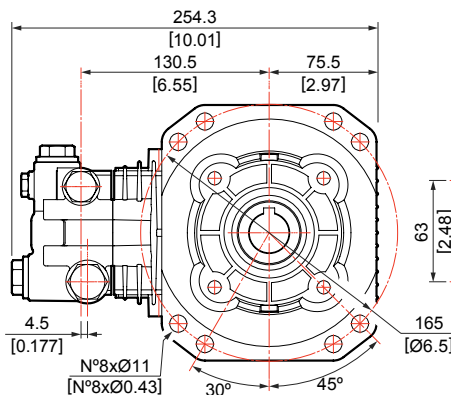
ON REQUEST


 NICKEL
PLATED HEAD

(S Version) FW2, FWS2
SOLID SHAFT Ø24 mm


ON REQUEST


 NICKEL
PLATED HEAD

(G Version) FWD2
HOLLOW SHAFT Ø1"


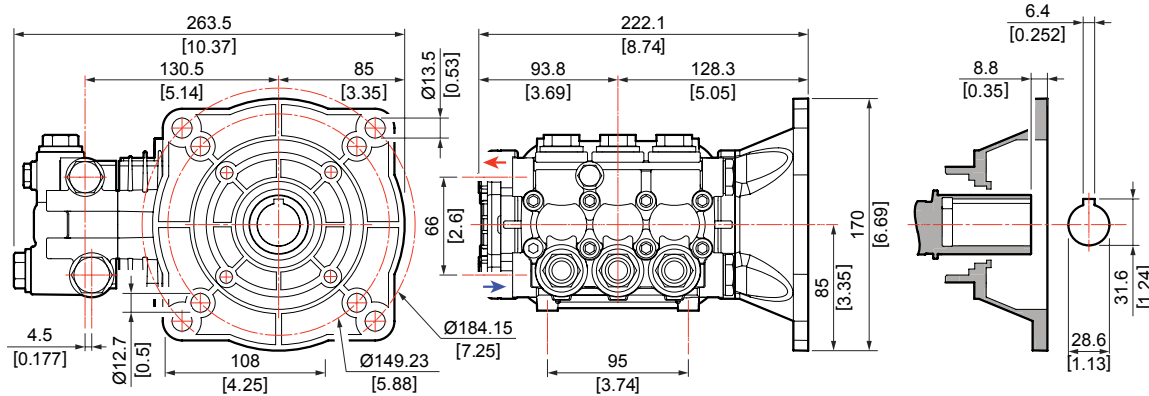


ON REQUEST

NICKEL
PLATED HEAD

(E Version) FWS2, FWD2

HOLLOW SHAFT Ø1-1/8"



- **Torque Specs Available on Page 65**

- 1/2" FPT Inlet – 3/8" FPT Outlet
- Reversible Crankcase for Right or Left Hand Mounting
- Hardened Stainless Steel Piston Guides Highly Efficient
- Stainless Steel Check Valves
- Solid Ceramic Plungers
- High & Low Pressure Seals: High Quality Buna-Textile Packings
- Additional Anti-Extrusion Ring under the Seal
- Solid or Hollow Shaft
- Solid Brass Manifolds
- Special Forged Brass Oversized Connecting Rods
- Flange for Direct Mounting to Gas Engines or Electric Motors (Hollow Shaft Models Only.)
- Die-Cast, Anodized Aluminum Crankcase
- High Quality Tapered Roller Bearings
- Optimal Oil Bath for High Speed Operation

Takes 19 Ounces Pump Oil

FW2 SERIES > PUMPS > SOLID SHAFT

1450 RPM - 24mm solid Shaft

Pallet Qty: 60-Boxed; 60 Egg-Crated

- 1/2" FPT Inlet, 3/8" FPT Outlet
- 24mm Solid, Keyed Shaft

PART#	MODEL#	GPM	PSI	RPM	SHAFT	PISTON	WT
6410.0400.00	FW2 5522 S	5.6	2200	1450	24mm Solid	20mm	19.4
6411.0200.00*	FW2 3530 S	3.4	3000	1450	24mm Solid	18mm	19.4
6410.0100.00	FW2 4030 S	4.0	3000	1450	24mm Solid	18mm	19.4
6410.0300.00	FW2 5030 S	5.0	3000	1450	24mm Solid	20mm	19.4
6410.0500.00	FW2 5530 S	5.6	3000	1450	24mm Solid	20mm	19.4
6410.0900.00	FW2 3540 S	3.5	4000	1450	24mm Solid	18mm	19.4
6410.0700.00	FW2 4040 S	4.0	4000	1450	24mm Solid	18mm	19.4
6410.0800.00	FW2 4540 S	4.4	4000	1450	24mm Solid	18mm	19.4

*Dual rated pump-6411.0200.00, Model FWS2 4030 S

FWS2 SERIES > PUMPS > SOLID SHAFT

1750 RPM - 24mm Solid Shaft

Pallet Qty: 60-Boxed; 60 Egg-Crated

- 1/2" FPT Inlet, 3/8" FPT Outlet
- 24mm Solid, Keyed Shaft

PART#	MODEL#	GPM	PSI	RPM	SHAFT	PISTON	WT
6411.0800.00	FWS2 6020 S	5.9	2000	1750	24mm Solid	20mm	19.6
6411.0600.00	FWS2 5525 S	5.7	2500	1750	24mm Solid	20mm	19.6
6411.0100.00	FWS2 3530 S	3.6	3000	1750	24mm Solid	18mm	19.6
6411.0200.00	FWS2 4030 S	4.2	3000	1750	24mm Solid	18mm	19.6
6411.0300.00	FWS2 4530 S	4.6	3000	1750	24mm Solid	18mm	19.6
6411.0700.00	FWS2 5530 S	5.5	3000	1750	24mm Solid	20mm	19.6
6411.1400.00	FWS2 6030 S	6.0	3000	1750	24mm Solid	20mm	19.6
6411.1100.00	FWS2 4040 S	4.2	4000	1750	24mm Solid	18mm	19.6
6411.1200.00	FWS2 5040 S	5.3	4000	1750	24mm Solid	18mm	19.6

FWS2 SERIES > PUMPS > ELECTRIC FLANGE

1750 RPM - 184T Elec. Flange

Pallet Qty: 60-Boxed; 60 Egg-Crated

- 1/2" FPT Inlet, 3/8" FPT Outlet
- 184T Electric Motor Flange with 1-1/8" Hollow Shaft

PART#	MODEL#	GPM	PSI	RPM	SHAFT	PISTON	WT
6411.0900.00	FWS2 3030 E	2.9	3000	1750	1-1/8" Hollow	18mm	20.3
6411.0101.00	FWS2 3530 E	3.6	3000	1750	1-1/8" Hollow	18mm	20.3
6411.0201.00	FWS2 4030 E	4.2	3000	1750	1-1/8" Hollow	18mm	20.3
6411.0301.00	FWS2 4530 E	4.6	3000	1750	1-1/8" Hollow	18mm	20.3
6411.0400.00	FWS2 5030 E	5.0	3000	1750	1-1/8" Hollow	20mm	20.3
6411.0701.00	FWS2 5530 E	5.5	3000	1750	1-1/8" Hollow	20mm	20.3

FWD2 SERIES > PUMPS > GAS FLANGE

3400 RPM - Gas Engine Flange SAE J609B

Pallet Qty: 60-Boxed; 60 Egg-Crated

- 1/2" FPT Inlet, 3/8" FPT Outlet
- Gas Engine Mounting Flange with 1" Hollow Shaft

PART#	MODEL#	GPM	PSI	RPM	SHAFT	PISTON	WT
6412.0101.00	FWD2 4530 G	4.3	3000	3400	1" Hollow	18mm	22.5
6412.0201.00	FWD2 5030 G	5.3	3000	3400	1" Hollow	18mm	22.5
6412.0300.00	FWD2 4540 G	4.3	4000	3400	1" Hollow	18mm	22.5
6412.0400.00	FWD2 5040 G	5.1	4000	3400	1" Hollow	18mm	22.5
6412.0500.00	FWD2 5040 G	5.1	4000	3400	1" Hollow	18mm	22.5

FWD2 SERIES > PUMPS > ELECTRIC FLANGE

3400 RPM - 184T Elec. Flange

Pallet Qty: 60-Boxed; 60 Egg-Crated

- 1/2" FPT Inlet, 3/8" FPT Outlet
- 184T Electric Motor Flange with 1-1/8" Hollow Shaft

PART#	MODEL#	GPM	PSI	RPM	SHAFT	PISTON	WT
6412.0100.00	FWD2 4530 E	4.4	3000	3400	1-1/8" Hollow	18mm	20.3
6412.0202.00	FWD2 5030 E	5.1	3000	3400	1-1/8" Hollow	18mm	20.3
6412.0301.00	FWD2 4540 E	4.3	4000	3400	1-1/8" Hollow	18mm	20.3
6412.0401.00	FWD2 5040 E	5.1	4000	3400	1-1/8" Hollow	18mm	20.3

FW2 Series Mounting Rail Kits

5011.0185.00

Standard Rail Kit for FW2 Series Pump

5011.0216.00

Tall Rail Kit for FW2 Series Pump

FW2 Series Repair Kits (Kits also on Pages 64 & 65)

5019.0218.00	Water Seal Kit, 18mm, 3000 PSI	5025.0011.00	Check Valve Kit
5019.0631.00	Water Seal Kit, 18mm, 4000 PSI	5025.0025.00	High Flow Valve Kit, 5+GPM
5019.0039.00	Water Seal Kit, 20mm	2409.0073.00	FW Piston Kit, 18mm
5019.0219.00	Oil Seal Kit, Solid Shaft	2409.0074.00	FW Piston Kit, 20mm
5019.0257.00	Oil Seal Kit, Gas & Electric	5019.0054.00	Hot Water Seals Only, 20mm
5019.0702.00	Hot Water Seal Kit, 18mm	5019.0669.00	Hot Water Complete Kit, 20mm
5019.0703.00	Hot Water Kit, (Seals Only), 18mm	5019.0703.00	Hot Water Kit, (Seals Only), 18mm

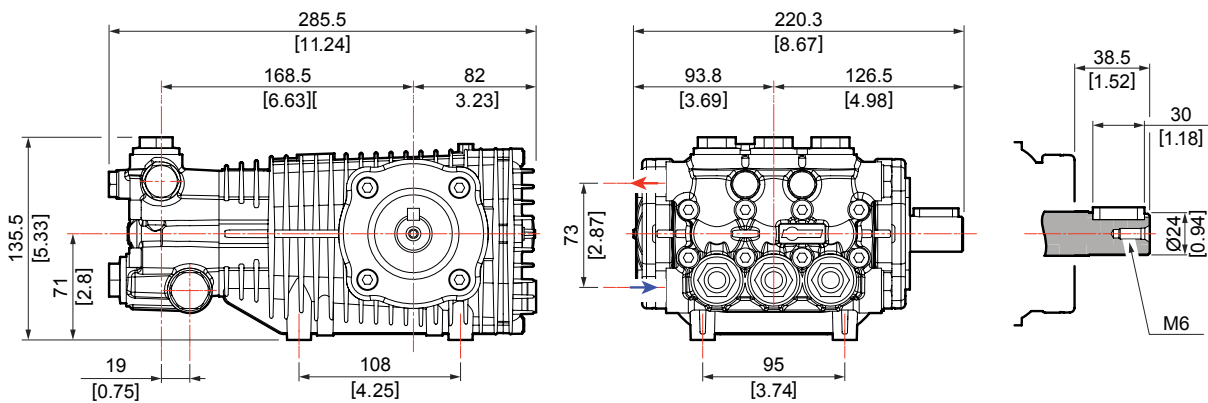


PREMIUM PUMPS

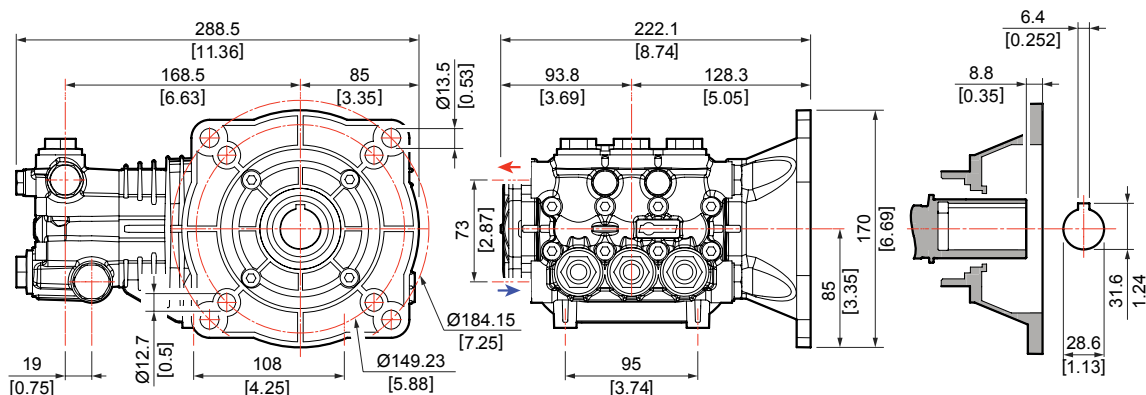
RW Series



ON REQUEST


**NICKEL
PLATED HEAD**
(S Version) RW, RWS
SOLID SHAFT Ø24 mm


ON REQUEST


**NICKEL
PLATED HEAD**
(E Version) RWS
HOLLOW SHAFT Ø1-1/8"


- **Torque Specs Available on Page 65**

- 1/2" FPT Inlet – 3/8" FPT Outlet
- Crankcase: Die-Cast Aluminum Alloy for Protection Against Corrosion
- Piston Guides are Heat Treated Stainless Steel
- Highly Efficient Stainless Steel Check Valves
- Solid Ceramic Plungers
- Brass Manifold: Forged for Maximum Strength and Longer Life up to 4000 PSI
- Direct Mount to Gas Engines or Electric Motors
- One Piece, Solid Bronze Alloy Connection Rods
- Solid Shaft 24mm for Belt Drive, Gearbox or Flex Couplers
- Oil Cap: New Travel/Working Oil Cap
- High Quality Tapered Roller Bearings
- Large Oil Capacity Dissipates Heat and Improves Lubrication for Longer Life






Takes 27 Ounces Pump Oil

RW SERIES > PUMPS > SOLID SHAFT

1450 RPM - 24mm Solid Shaft

Pallet Qty: 36-Boxed Only

- 1/2" FPT Inlet, 3/8" FPT Outlet

PART#	MODEL#	GPM	PSI	RPM	SHAFT	PISTON	WT
 6517.1900.00	RW 8018 S	7.9	1800	1450	24mm Solid	20mm	27
 6517.2000.00	RW 8518 S	8.7	1800	1450	24mm Solid	20mm	27
 6517.2100.00	RW 9518 S	9.7	1800	1450	24mm Solid	20mm	27
 6517.1700.00	RW 6522 S	6.6	2200	1450	24mm Solid	20mm	27
 6517.1800.00	RW 7522 S	7.3	2200	1450	24mm Solid	20mm	27
6517.0100.00	RW 4030 S	4.1	3000	1450	24mm Solid	20mm	27
6517.0102.00*	RW 4030 S	4.1	3000	1450	24mm Solid	20mm	27
6517.0600.00	RW 5030 S	5.0	3000	1450	24mm Solid	20mm	27
6517.0800.00	RW 5530 S	5.5	3000	1450	24mm Solid	20mm	27
6517.0803.00*	RW 5530 S	5.5	3000	1450	24mm Solid	20mm	27
6517.0900.00	RW 6030 S	6.2	3000	1450	24mm Solid	20mm	27
6517.0902.00*	RW 6030 S	6.2	3000	1450	24mm Solid	20mm	27
6517.1100.00	RW 4035 S	4.0	3500	1450	24mm Solid	20mm	27
6517.1300.00	RW 5535 S	5.5	3500	1450	24mm Solid	20mm	27
6517.1301.00*	RW 5535 S	5.5	3500	1450	24mm Solid	20mm	27
6517.1001.00	RW 3540 S	3.3	4000	1450	24mm Solid	18mm	27
6517.1400.00	RW 4040 S	4.0	4000	1450	24mm Solid	18mm	27
6517.1101.00	RW 4540 S	4.4	4000	1450	24mm Solid	18mm	27
6517.1201.00	RW 5040 S	4.9	4000	1450	24mm Solid	18mm	27

***Hot Water Pump with Kevlar Seals**

RWS SERIES > PUMPS > SOLID SHAFT

1750 RPM - 24mm Solid Shaft

Pallet Qty: 36-Boxed Only
 • 1/2" FPT Inlet, 3/8" FPT Outlet

PART#	MODEL#	GPM	PSI	RPM	SHAFT	PISTON	WT
NEW 6518.2200.00	RWS 9518 S	9.3	1800	1750	24mm Solid	20mm	27
NEW 6518.2300.00	RWS 10018 S	10.1	1800	1750	24mm Solid	20mm	27
6518.0800.00	RWS 6020 S	5.9	2000	1750	24mm Solid	20mm	27
6518.0900.00	RWS 6520 S	6.6	2000	1750	24mm Solid	20mm	27
6518.1600.00	RWS 7020 S	7.0	2000	1750	24mm Solid	20mm	27
NEW 6518.2000.00	RWS 8022 S	7.9	2200	1750	24mm Solid	20mm	27
NEW 6518.2100.00	RWS 8522 S	8.7	2200	1750	24mm Solid	20mm	27
6518.0100.00	RWS 3030 S	3.0	3000	1750	24mm Solid	20mm	27
6518.0200.00	RWS 3530 S	3.6	3000	1750	24mm Solid	20mm	27
6518.0400.00	RWS 4030 S	4.1	3000	1750	24mm Solid	20mm	27
6518.0500.00	RWS 4530 S	4.4	3000	1750	24mm Solid	20mm	27
6518.0600.00	RWS 5030 S	4.9	3000	1750	24mm Solid	20mm	27
6518.0700.00	RWS 5530 S	5.7	3000	1750	24mm Solid	20mm	27
6518.1000.00	RWS 3035 S	3.0	3500	1750	24mm Solid	20mm	27
6518.1500.00	RWS 5535 S	5.7	3500	1750	24mm Solid	20mm	27
6518.1101.00	RWS 3540 S	3.6	4000	1750	24mm Solid	18mm	27
6518.1201.00	RWS 4040 S	4.0	4000	1750	24mm Solid	18mm	27
6518.1301.00	RWS 4540 S	4.8	4000	1750	24mm Solid	18mm	27
6518.1401.00	RWS 5040 S	5.3	4000	1750	24mm Solid	18mm	27
6518.0801.00	RWS 6040 S	6.0	4000	1750	24mm Solid	18mm	27

RWS SERIES > PUMPS > ELECTRIC FLANGE

1750 RPM - 1-1/8" Hollow Shaft

Pallet Qty: 36-Boxed Only

- 1/2" FPT Inlet, 3/8" FPT Outlet
- 184T Electric Flange with 1-1/8" Hollow Shaft

PART#	MODEL#	GPM	PSI	RPM	SHAFT	PISTON	WT
6518.0201.00	RWS 3530 E*	3.6	3000	1750	1-1/8" Hollow	20mm	27
6518.0401.00	RWS 4030 E*	4.1	3000	1750	1-1/8" Hollow	20mm	27
6518.0501.00	RWS 4530 E*	4.4	3000	1750	1-1/8" Hollow	20mm	27
6518.0601.00	RWS 5030 E*	4.9	3000	1750	1-1/8" Hollow	20mm	27
6518.0701.00	RWS 5530 E*	5.7	3000	1750	1-1/8" Hollow	20mm	27
NEW 6518.1402.00	RWS 5035 E*	3.0	3000	1750	1-1/8" Hollow	20mm	27
6518.1700.00	RWS 3040 E*	3.0	4000	1750	1-1/8" Hollow	20mm	27
6518.1202.00	RWS 4040 E*	4.0	4000	1750	1-1/8" Hollow	20mm	27

***RWS Electric Pumps are Not Reversible.**

RW Series Mounting Rail Kits

5011.0229.00

Standard Rail Kit for RW Series Pump

5011.0257.00

Tall Rail Kit for RW Series Pump

RW Series Repair Kits (Kits also on Pages 64 & 65)

2409.0146.00 RW Piston Kit, 18mm

5019.0673.00 RW Water Seal Kit, 18mm (+ Hot)

2409.0145.00 RW Piston Kit, 20mm

5019.0672.00 RW Water Seal Kit, 20mm

5025.0011.00 Valve Kit up to 4.8 GPM

5019.0675.00 RW Oil Seal Kit, Solid Shaft

5025.0025.00 Valve Kit 4.9+ GPM

5019.0679.00 RW Oil Seal Kit, Hollow Shaft

5019.0676.00 Seal Kit, Hot Water, 20mm

5019.0674.00 Water Seal Kit, Kevlar, 20mm



Comet Pumps a world of applications



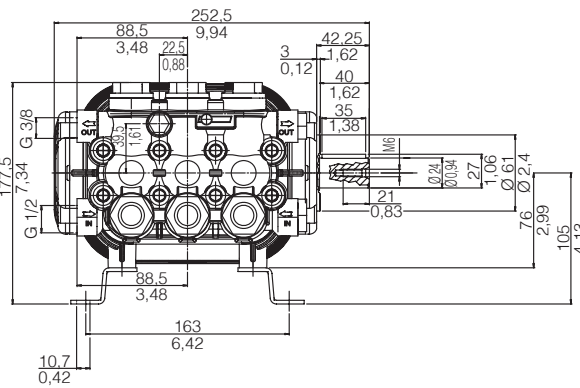
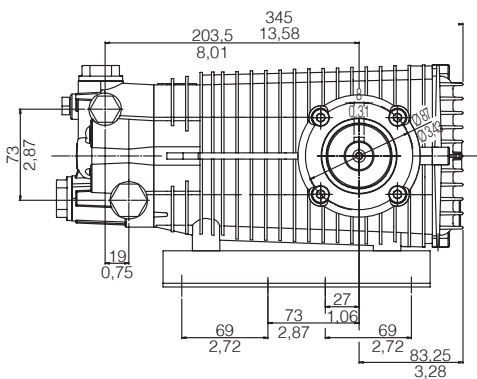
PREMIUM PUMPS

SW Series



(S Version) SW, SWS

SOLID SHAFT Ø24 mm



• Torque Specs Available on Page 65

- 1/2" FPT Inlet, 3/8" FPT Outlet
- Die-Cast Aluminum Alloy for Protection Against Corrosion
- Piston Guides are Heat Treated Stainless Steel
- Highly Efficient Stainless Steel Check Valves
- Solid Ceramic Plungers
- Brass Manifold: Forged for Maximum Strength and Longer Life up to 4000 PSI
- One Piece, Solid Bronze Alloy Connection Rods
- Solid Shaft 24mm for Belt Drive, Gearbox or Flex Couplers
- Oil Cap: New Travel/Working Oil Cap
- High Quality Tapered Roller Bearings
- Large Oil Capacity Dissipates Heat and Improves Lubrication for Longer Life
- Heavy Duty up to 4000 PSI
- High Volume up to 5.5 GPM
- Long Life Seals

Takes 37 Ounces Pump Oil

SW SERIES > PUMPS > SOLID SHAFT

1450 RPM - 24mm Solid Shaft

Pallet Qty: 24-Boxed Only

- 1/2" FPT Inlet, 3/8" FPT Outlet

PART#	MODEL#	GPM	PSI	RPM	SHAFT	PISTON	WT
6515.0100.00	SW 4040 S	4.0	4000	1450	24mm	20mm	40
6515.0102.00*	SW 4040 S	4.0	4000	1450	24mm	20mm	40
6515.0200.00	SW 5540 S	5.5	4000	1450	24mm	20mm	40
6515.0204.00*	SW 5540 S	5.5	4000	1450	24mm	20mm	40

***Hot Water Pump with Kevlar Seals**

SWS SERIES > PUMPS > SOLID SHAFT

1750 RPM - 24mm Solid Shaft

Pallet Qty: 24-Boxed Only

- 1/2" FPT Inlet, 3/8" FPT Outlet

PART#	MODEL#	GPM	PSI	RPM	SHAFT	PISTON	WT
6516.0200.00	SWS 5025 S	5.0	2500	1750	24mm	20mm	40
6516.0100.00	SWS 4040 S	4.0	4000	1750	24mm	20mm	40
6516.0101.00*	SWS 4040 S	4.0	4000	1750	24mm	20mm	40

***Hot Water Pump with Kevlar Seals**

SW Series Mounting Rail Kits

5011.0214.00

Standard Rail Kit for SW/TW Series Pump

5011.0278.00

Tall Rail Kit for Premium Series Pump

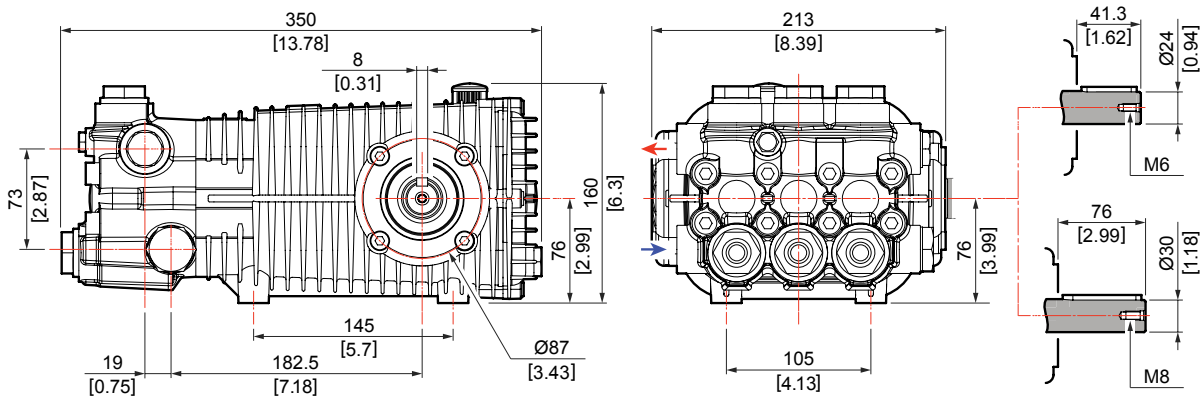
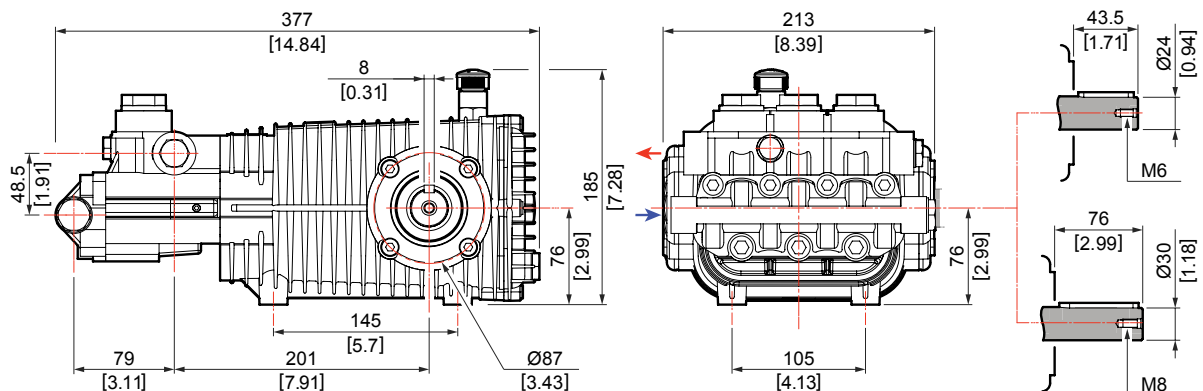
SW Series Repair Kits (Kits also on Pages 64 & 65)

5025.0011.00	Valve Kit
5025.0025.00	High Flow Valve Kit, 5+GPM
2409.0074.00	SW Piston Kit, 20mm
5019.0648.00	Seal Kit, Water, 20mm
5019.0650.00	Oil Seal Kit,
5019.0670.00	SW Hot Water, Seal Kit, 20mm
5019.0665.00	SW Kevlar, Seal Kit, 20mm



PREMIUM PUMPS

TW Series


(S Version) TWN, TW, TWS
SOLID SHAFT Ø24-30 mm

(S Version) TW 7300 psi, TWS 7300 psi
SOLID SHAFT Ø24-30 mm


- **Torque Specs Available on Page 65**

- 1/2" or 3/4" FPT Inlet
- 1/2" or 3/8" FPT Outlet
- Die-Cast Aluminum Alloy for Protection Against Corrosion
- Piston Guides are Heat Treated Stainless Steel
- Highly Efficient Stainless Steel Check Valves
- Solid Ceramic Plungers
- Brass Manifold: Forged for Maximum Strength and Longer Life up to 5000 PSI
- Solid Bronze Alloy Connection Rods
- Solid Shaft 24mm for Belt Drive, Gearbox or Flex Couplers
- Oil Cap: New Travel/Working Oil Cap
- High Quality Tapered Roller Bearings
- Large Oil Capacity Dissipates Heat and Improves Lubrication for Longer Life
- Heavy Duty up to 7300 PSI
- High Volume up to 13.0 GPM
- Long Life Seals

Takes 37 Ounces Pump Oil

TWN SERIES > PUMPS > SOLID SHAFT

1000 RPM - 24mm Solid Shaft

Pallet Qty: 24-Boxed Only

- 3/4" FPT Inlet, 1/2" FPT Outlet

PART#	MODEL#	GPM	PSI	RPM	SHAFT	PISTON	INLET	OUTLET	WT
6512.0200.00	TWN 7025 S	7.0	2500	1000	24mm	25mm	3/4"	1/2"	45
6512.0300.00	TWN 8025 S	8.0	2500	1000	24mm	25mm	3/4"	1/2"	45
6512.0100.00	TWN 6036 S	6.0	3600	1000	24mm	22mm	3/4"	1/2"	45

TW SERIES > PUMPS > SOLID SHAFT

1450 RPM - 24-30mm Solid Shaft

Pallet Qty: 24-Boxed Only

- 3/4"-1/2" FPT Inlet. 1/2"-3/8" FPT Outlet

PART#	MODEL#	GPM	PSI	RPM	SHAFT	PISTON	INLET	OUTLET	WT
NEW 6513.2400.00	TW 13022 S	12.8	2200	1450	24mm	25mm	3/4"	1/2"	45
NEW 6513.2600.00	TW 14022 S	14.1	2200	1450	24mm	25mm	3/4"	1/2"	45
6513.1000.00	TW 10025 S	10.0	2500	1450	24mm	25mm	3/4"	1/2"	45
6513.1200.00	TW 11025 S	11.0	2500	1450	24mm	25mm	3/4"	1/2"	45
6513.1201.00*	TW 11025 S	11.0	2500	1450	24mm	25mm	3/4"	1/2"	45
6513.1400.00	TW 8030 S	8.7	3000	1450	24mm	22mm	3/4"	1/2"	45
6513.1401.00*	TW 8030 S	8.7	3000	1450	24mm	22mm	3/4"	1/2"	45
6513.0700.00	TW 7036 S	8.7	3600	1450	24mm	22mm	3/4"	1/2"	45
6513.0900.00	TW 8036 S	8.6	3600	1450	24mm	22mm	3/4"	1/2"	45
6513.0902.00*	TW 8036 S	8.6	3600	1450	24mm	22mm	3/4"	1/2"	45
6513.1700.00 ¹	TW 8040 S	8.6	4000	1450	30mm	22mm	3/4"	1/2"	45
6513.0400.00	TW 4550 S	4.7	5000	1450	24mm	18mm	1/2"	3/8"	45
6513.1300.00	TW 5050 S	5.2	5000	1450	24mm	18mm	1/2"	3/8"	45
6513.0300.00	TW 5550 S	5.8	5000	1450	24mm	18mm	1/2"	3/8"	45
6513.2000.00	TW 3570 S	3.4	7300	1450	24mm	18mm	1/2"	3/8"	45
6513.1801.00	TW 4070 S	3.9	7300	1450	24mm	18mm	1/2"	3/8"	45
6513.1800.00	TW 4070 S	4.0	7300	1450	30mm	18mm	1/2"	3/8"	45
NEW 6513.2100.00	TW 4570 S	4.3	7300	1450	30mm	18mm	1/2"	3/8"	45
6513.1900.00	TW 5070 S	5.3	7300	1450	30mm	18mm	1/2"	3/8"	45
6513.1500.00	TW 5570 S	5.8	7300	1450	30mm	18mm	1/2"	3/8"	45

*Hot Water Pump with Kevlar Seals

¹ Valve Kit is 5025.0020.00

TWS SERIES > PUMPS > SOLID SHAFT

1750 RPM - 24-30mm Solid Shaft

Pallet Qty: 24-Boxed Only

- 3/4"-1/2" FPT Inlet, 1/2"-3/8" FPT Outlet

PART#	MODEL#	GPM	PSI	RPM	SHAFT	PISTON	INLET	OUTLET	WT
6514.0900.00	TWS 13020 S	13.0	2000	1750	24mm	25mm	3/4"	1/2"	45
6514.0700.00	TWS 9030 S	9.3	3000	1750	24mm	22mm	3/4"	1/2"	45
6514.1100.00	TWS 10030 S	10.7	3000	1750	24mm	22mm	3/4"	1/2"	45
6514.0600.00	TWS 8035 S	8.3	3500	1750	24mm	22mm	3/4"	1/2"	45
6514.0601.00*	TWS 8035 S	8.3	3500	1750	24mm	22mm	3/4"	1/2"	45
6514.0500.00	TWS 7040 S	7.0	4000	1750	24mm	18mm	1/2"	3/8"	45
6514.1000.00	TWS 5050 S	5.3	5000	1750	24mm	18mm	1/2"	3/8"	45
6514.0100.00	TWS 5550 S	5.6	5000	1750	24mm	18mm	1/2"	3/8"	45
6514.0101.00*	TWS 5550 S	5.6	5000	1750	24mm	18mm	1/2"	3/8"	45
6514.1200.00	TWS 4070 S	4.1	7300	1750	24mm	18mm	1/2"	3/8"	45
6514.1300.00	TWS 4570 S	4.6	7300	1750	30mm	18mm	1/2"	3/8"	45
6514.1400.00	TWS 5070 S	4.9	7300	1750	30mm	18mm	1/2"	3/8"	45
6514.1500.00	TWS 6070 S	6.0	7300	1750	30mm	18mm	1/2"	3/8"	45
6514.1600.00	TWS 7070 S	7.0	7300	1750	30mm	18mm	1/2"	3/8"	45

*Left Handed

TW Series Mounting Rail Kits

5011.0214.00

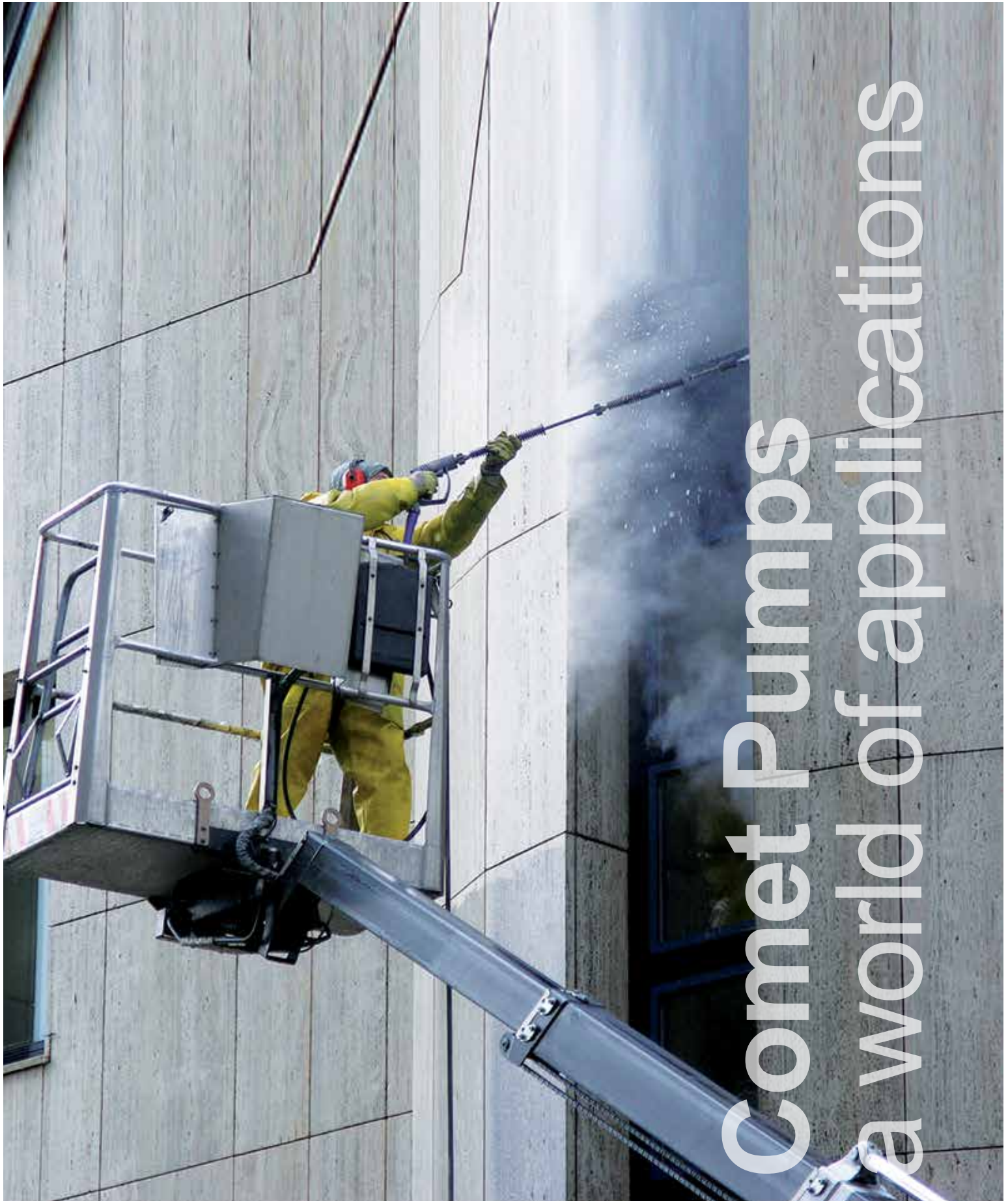
Standard Rail Kit for SW/TW Series Pump

5011.0278.00

Tall Rail Kit for Premium Series Pump

TW Series Repair Kits (Kits also on Pages 64 & 65)

5025.0020.00	Valve Kit (Up to 3600 PSI)	5019.0645.00	Seal Kit 18mm, Water
5025.0021.00	Valve Kit (4000+PSI)	5019.0646.00	Seal Kit 22mm, Water
5025.0050.00	Valve Kit (7000)	5019.0647.00	Seal Kit 25mm, Water
5025.0073.00	Valve Kit (12000 PSI)	5019.0736.00	Seal Kit ??mm, Water
2409.0116.00	Piston Kit 18mm	5019.0644.00	Seal Kit, Oil (Up to 3600 PSI)
2409.0114.00	Piston Kit 22mm	5019.0649.00	Seal Kit, Oil (4000+ PSI)
2409.0115.00	Piston Kit 25mm	5019.0229.00	Seal Kit, Oil (7000)
2409.0293.00	Piston Kit ??mm	5019.0737.00	Seal Kit, Oil (Up to 12000 PSI)
5019.0228.00	Seal Kit, Water (7000 PSI)		
5019.0653.00	Hot Water Packing Kit 18mm		
5019.0654.00	Hot Water Packing Kit 22mm		
5019.0655.00	Hot Water Packing Kit 25mm		
5019.0662.00	Seal Kit, Kevlar 22mm		
5019.0663.00	Seal Kit, Kevlar 25mm		

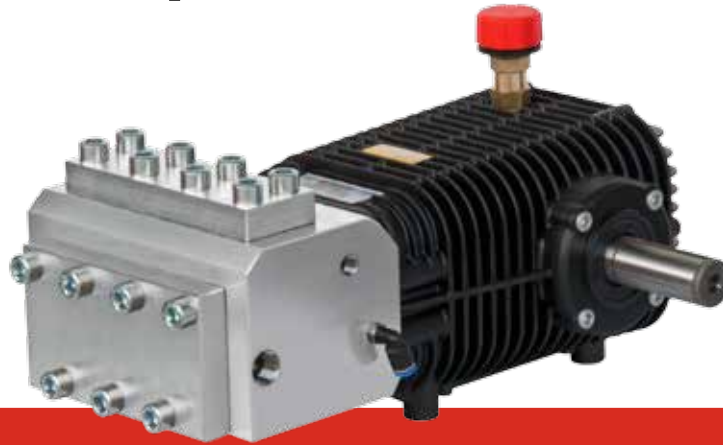


Comet Pumps a world of applications



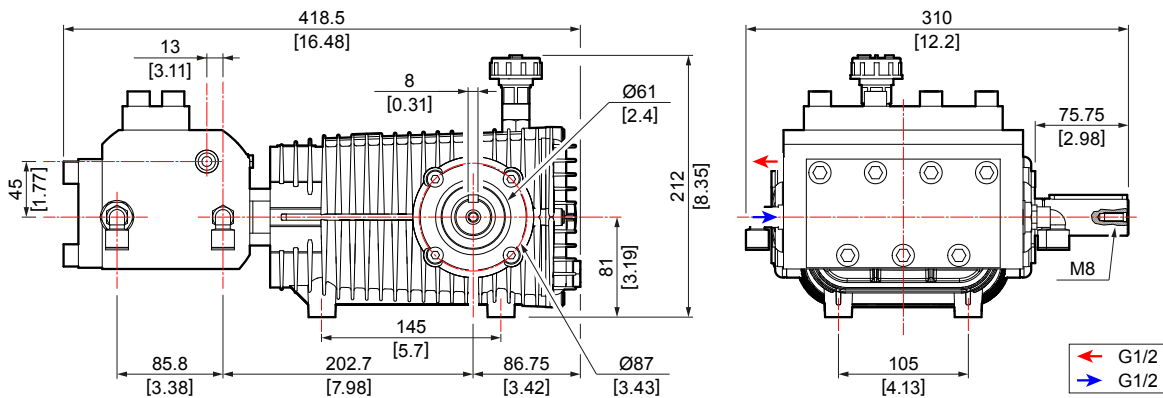
PREMIUM PUMPS

TW 10000 psi Series



(S Version) TW 10000 psi

SOLID SHAFT 30 mm



• Torque Specs Available on Page 65

- 1/2" FPT Inlet, 1/2" FPT Outlet (Female 60° cone seat)
- Right or Left Hand Mounting Available Crankcase: Die-Cast Aluminum Alloy for Protection Against Corrosion
- Piston Guides are Heat Treated Stainless Steel
- Highly Efficient Stainless Steel Check Valves
- Plungers with Tungsten carbide coating, highly corrosion and abrasion-proof
- Stainless Steel Manifolds
- Special Aluminium Alloy Conrods made in a double piece
- Solid Shaft 30mm for Belt Drive, Gearbox or Hollow Shaft electric motors
- Top-Quality and oversized conical Roller Bearings with covers for adjusting the pre-load
- Large Oil Capacity Dissipates Heat and Improves Lubrication for Longer Life
- Heavy Duty up to 11600 PSI
- High Volume up to 3.6 GPM
- Long Life Seals

Takes 37 Ounces Pump Oil

TW 10000 psi SERIES > PUMPS > SOLID SHAFT

1450 RPM - 30mm Solid Shaft

Pallet Qty: 24-Boxed Only

• 1/2" FPT Inlet, 1/2" FPT Outlet (Female 60° cone seat)

PART#	MODEL#	GPM	PSI	RPM	SHAFT	PISTON	INLET	OUTLET	WT
NEW 6513.3000.00	TW 35100 S	3.2	10000	1450	30mm	15mm	1/2"	1/2"	76
NEW 6513.2900.00	TW 40100 S	3.6	10000	1450	30mm	15mm	1/2"	1/2"	76

550 RPM - 30mm Solid Shaft

Pallet Qty: 24-Boxed Only

• 1/2" FPT Inlet, 1/2" FPT Outlet (Female 60° cone seat)

PART#	MODEL#	GPM	PSI	RPM	SHAFT	PISTON	INLET	OUTLET	WT
NEW 6513.2700.00	TW 01100 S	1.2	10000	1450	30mm	15mm	1/2"	1/2"	76

TW 10000 psi Series Mounting Rail Kits

5011.0214.00

Standard Rail Kit for SW/TW Series Pump

5011.0278.00

Tall Rail Kit for Premium Series Pump

TW 10000 psi Series Repair Kits (Kits also on Pages 64 & 65)

5019.0737	Oil Seal Kit
2409.0293	Piston Kit
5025.0073	Complete Valve Kit
5019.0736	Water Seal Kit





Pumps for small spraying jobs and inter-row weeding, gardening, sanitizing and cleaning caravans and boats, treating lawns and green areas, disinfecting vehicles and farms.

- 12v DC
- 140° F
- Polypropylene Pump Housing and Valve Plate
- Viton® Valves-Santoprene® Diaphragm
- Zinc-Plated Steel Fasteners
- Honeywell Micro Switch™
- Inline fuse Protection
- Painted Motor Shell (*EF1000 Polypropylene)
- CE Approved
- QA Port Option (except EF1000)



Everflo diaphragm pumps

**EF1000****EF2200****EF3000****EF4000****EF5500****EF7000**

EF SERIES > Pumps > Diaphragm

PART #	MODEL #	GPM	PSI	AMPS	PORTS	SELF PRIMING	WT (DRY)
7001.0000.00	EF 1000	1	40	4	3/8" Hose Barb	TO 4 FT	1.3
7001.0001.00	EF 2200	2.2	70	8	3/8" FPT	TO 8 FT	4.8
7001.0002.00	EF 3000	3	60	10	1/2" FPT	TO 8 FT	5.6
7001.0003.00	EF 4000	4	60	13	1/2" FPT	TO 8 FT	5.6
7001.0004.00	EF 5500	5.5	60	17	1/2" FPT	TO 8 FT	5.6
7001.0005.00	EF 7000	7	60	23	1/2" FPT	TO 12 FT	9.5

EF Series Repair Kits

7001.0001.01	Repair Kit for EF2200
7001.0002.01	Repair Kit for EF3000
7001.0003.01	Repair Kit for EF4000
7001.0004.01	Repair Kit for EF5500
7001.0005.01	Repair Kit for EF7000

COMET REPAIR KITS



All Comet Pump repair kits contain the quantity of components necessary to rebuild the entire pump.

Seal / Packing Replacement

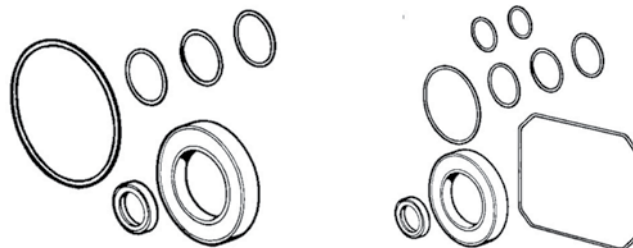

AXD
LW
ZWD
FW-HW

Part#	Description
5026.0265.00	VRX, Piston Seal Kit, 1700 PSI
5026.0256.00	VRX, Piston Seal Kit, 2200+ PSI
5019.0667.00	BXD/GXD Gas, Seal Kit, Water
5019.0671.00	BXD Elect., Seal Kit, Water
5019.0077.00	AXD/AXS Seal Kit 2,500 PSI
5019.0086.00	AXD Seal Kit 3,000 PSI
5019.0684.00	BWD, Seal Kit, 2000 PSI
5019.0686.00	BWD, AWD, GWD Seal Kit
5019.0035.00	LW Seal Kit, 15mm
5019.0037.00	LW Seal Kit, 18mm
5019.0064.00	ZWD Seal Kit, 15mm
5019.0038.00	FW Seal Kit, 18mm
5019.0218.00	FW2 Seal Kit, 18mm
5019.0039.00	FW Seal Kit, 20mm
5019.0631.00	HW Seal Kit, 18mm
5019.0673.00	RW Seal Kit 18mm, Water
5019.0672.00	RW Seal Kit 20mm, Water
5019.0648.00	SW Seal Kit 20mm, Water
5019.0645.00	TW Seal Kit 18mm, Water
5019.0228.00	TW Seal Kit 18mm (7000 PSI)
5019.0646.00	TW Seal Kit 22mm, Water
5019.0647.00	TW Seal Kit 25mm, Water

Unloader Repair

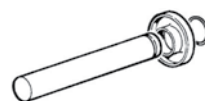
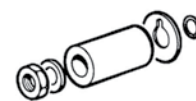
Part#	Description
5026.0258.00	VRX Regulator Valve Kit
5026.0143.00	AX/GXD Unloader Rebuild Kit
5026.0144.00	AX/GXD Maintenance Kit
5026.0142.00	AX/GXD Unloader Kit M22X1.5
1215.0584.00	BXD Elect., Cartridge 1885 PSI
1215.0585.00	AXD Cartridge 2610 PSI
1215.0586.00	BXD-G,BW/AW/GW,ZW Crtdg. 4000 PSI
5026.0123.00	LW Unloader Maintenance Kit
5026.0130.00	LW Unloader Rebuild Kit

Oil Sel Replacement



Part#	Description
5019.0659.00	GXD Seal Kit
5019.0079.00	AX/AXS Oil Seal Kit
5019.0250.00	BXD Oil Seal Kit
5019.0685.00	BW Oil Seal Kit
5019.0687.00	AW/GW Oil Seal Kit
5019.0040.00	LW/ZW Oil Seal Kit Solid Shaft
5019.0044.00	FW, HW, HWS Kit Solid Shaft
5019.0219.00	FW2 Oil Seal Kit
5019.0041.00	LW Oil Seal Kit Hollow Shaft
5019.0065.00	ZWD Oil Seal Kit Hollow Shaft
5019.0045.00	FW/HWD Oil Seal Kit Hollow Shaft
5019.0257.00	FW2 Seal Kit
5019.0650.00	SW Seal Kit
5019.0644.00	TW Seal Kit, Oil (Up to 3600 PSI)
5019.0649.00	TW Seal Kit, Oil (4000+ PSI)
5019.0229.00	TW Seal Kit, Oil (7000 PSI)
5019.0675.00	RW Oil Seal Kit, Solid Shaft
5019.0679.00	RW Oil Seal Kit, Hollow Shaft

Piston


AXD

LW, ZW, FW, HW

Part#	Description
5026.0260.00	VRX, Piston Seal Kit, All VRX's
2409.0126.00	GXD Piston Kit
2409.0092.00	AXD/AXS Piston Kit
2409.0103.00	AXD Piston Kit 3,000 PSI
2409.0260.00	GWD Piston Kit
2409.0071.00	LW/ZWD Piston Kit, 15mm
2409.0072.00	LW Piston Kit, 18mm
2409.0073.00	FW/HW Piston Kit, 18mm
2409.0074.00	FW/SW Piston Kit, 20mm
2409.0146.00	RW Piston Kit, 18mm
2409.0145.00	RW Piston Kit, 20mm
2409.0116.00	TW Piston Kit 18mm
2409.0114.00	TW Piston Kit 22mm
2409.0115.00	TW Piston Kit 25mm

COMET REPAIR KITS

Check Valve



Hot Water

- Hot water seal protection
- Contains Hot Water Seals only
- Viton Seals are Chemically Resistant

Part#	Description
5026.0257.00	VRX Check Valve Kit, 2200 PSI
5026.0263.00	VRX Check Valve Kit, 1700 PSI
5026.0270.00	VRX Check Valve Kit, 2400+ PSI
5025.0014.00	AXD/AXS & GXD Check Valve Kit
5025.0027.00	Check Valve Kit, BXD
5025.0030.00	Valve Kit, BWD, AWD & GWD
5025.0011.00	LW, ZW, FW2, HW, RW & SW
5025.0025.00	FW2, HWS, RW High Flow, 5+ GPM
5025.0020.00	TW Valve Kit Up to 3600 PSI
5025.0021.00	TW Valve Kit (4000+ PSI)
5025.0050.00	TW Valve Kit (7000 PSI)
NEW 5025.0073.00	TW Valve Kit (12000 PSI)

Part#	Description
5019.0048.00	LW, ZW, Hot Water, 15mm
5019.0711.00	ZW Kevlar Seal Kit, 15mm
5019.0049.00	LW,HW-Requires 2,Hot Water,18mm
5019.0050.00	LW, Viton Seal Kit, 18mm
5019.0051.00	LW, ZW, Viton Seal Kit, 15mm
5019.0053.00	FW, Hot Water Seal Kit, 18mm
5019.0702.00	FW2, Hot Water Seal Kit, 18mm
5019.0703.00	FW/FW2, Kit (Seals Only), 18mm
5019.0054.00	FW,FW2, HW Seals Only, 20mm
5019.0669.00	FW,FW2, Complete Kit, 20mm
5019.0676.00	RW Hot Water Seal Kit, 20mm
5019.0710.00	RW Kevlar Seal Kit, 18mm
5019.0674.00	RW Kevlar Seal Kit, 20mm
5019.0665.00	SW Kevlar Seal Kit, 20mm
5019.0670.00	SW Hot Water Seal Kit, 20mm
NEW 5019.0736.00	TW Seal Kit 15mm, Water
NEW 5019.0737.00	TW Seal Kit, Oil (Up to 12000 PSI)
5019.0653.00	TW Packing Kit, 18mm
5019.0654.00	TW Packing Kit, 22mm
5019.0655.00	TW Packing Kit, 25mm
5019.0662.00	TW Seal Kevlar Kit, 22mm
5019.0663.00	TW Seal Kevlar Kit 25mm
NEW 5019.0613.00	RW Hot & Cold Seal Kit 18mm
NEW 2409.0293.00	TW Piston Kit 15mm

TORQUE SETTINGS Nm (Ft. Lb.)

DESCRIPTION	BX	AX	BW	LW ZW	AW	FW	HW	FW2	RW	SW	TW	
Manifold Screw	25 (18,4)	25 (18,4)	10 (7,4)	10 (7,4)	<230 Bar 10 (7,4)	25 (18,4)	25 (18,4)	25 (18,4)	25 (18,4)	45 (33,2)	45 (33,2)	
					>230 Bar 80 (59,0)							
Cap Valve (Aluminum Manifold)		35 (25,8)		40 (9,5)								Loctite 243
Cap Valve (Brass Manifold)	45 (33,2)	45 (33,2)	45 (33,2)	<230 Bar 50 (36,9)	45 (33,2)	50 (36,9)	80 (59,0)	<230 Bar 50(36,9)	<230 Bar 50 (36,9)	80 (59,0)		Loctite 243
				>230 Bar 60 (44,3)				>230 Bar 80 (59,0)	>230 Bar 80 (59,0)		<360 Bar 80 (59,0)	Loctite 243
											>360 Bar 80 (59,0)	Loctite 270
Bearings Flange Screw Opposite Shaft Side			4 (3,0)	4 (3,0)	4 (3,0)	9 (6,6)	9 (6,6)	9 (6,6)	9 (6,6)	25 (18,4)	25 (18,4)	
Conn. Rod Screw											25 (18,4)	Loctite 243
Crankcase Cover Screw			9 (6,6)	9 (6,6)	9 (6,6)	4 (3,0)	4 (3,0)	4 (3,0)	4 (3,0)	9 (6,6)	9 (6,6)	
Bearing flange Screw Shaft Side			9 (6,6)	9 (6,6)	9 (6,6)	25 (18,4)	25 (18,4)	25 (18,4)	25 (18,4)	25 (18,4)	25 (18,4)	
Piston Nut			6 (4,4)	6 (4,4)	6 (4,4)	10 (7,4)	10 (7,4)	10 (7,4)	10 (7,4)	15 (11,1)	15 (11,1)	Loctite 243
Eccentric Shaft Screw		25 (18,4)										Loctite 243
Crankcase Flange Screw	25 (18,4)	25 (18,4)										

COMET ACCESSORIES

ANTI-FREEZE - Pump saver



- Protects Pump from Freezing in Winter
- Attaches to any Pump Inlet to Fill Pump Chamber

Part#	Description
8102.5000.00	Pump Saver, 16 oz.

BURNER RINGS



- Cast Iron for Long Life
- High-Flow Design
- Industry Standard Sizes
- Improved Casting Design

Part#	Description
8102.0122.00	44-50 Burner Ring, 50-Orifice
8102.0123.00	44-51 Burner Ring, 51-Orifice
8102.0124.00	44-52 Burner Ring, 52-Orifice
8102.0125.00	44-53 Burner Ring, 53-Orifice
8102.0126.00	44-54 Burner Ring, 54-Orifice
8102.0127.00	44-55 Burner Ring, 55-Orifice
8102.0128.00	44-56 Burner Ring, 56-Orifice
8102.0129.00	44-57 Burner Ring, 57-Orifice
8102.0130.00	44-58 Burner Ring, 58-Orifice
8102.0131.00	44-59 Burner Ring, 59-Orifice
8102.0132.00	44-60 Burner Ring, 60-Orifice
8102.0133.00	44-61 Burner Ring, 61-Orifice
8102.0134.00	44-62 Burner Ring, 62-Orifice
8102.0135.00	44-63 Burner Ring, 63-Orifice
8102.0136.00	44-64 Burner Ring, 64-Orifice
8102.0137.00	44-65 Burner Ring, 65-Orifice
8102.0138.00	44-66 Burner Ring, 66-Orifice
8102.0139.00	44-67 Burner Ring, 67-Orifice
8102.0140.00	44-68 Burner Ring, 68-Orifice
8102.0141.00	44-69 Burner Ring, 69-Orifice
Not All Sizes Stocked	
8102.0120.00	32-69 Burner Ring, 69-Orifice
8102.0182.00	66-69 burner Ring, 62-Orifice
8102.0189.00	66-69 Burner Ring, 69-Orifice
8102.0162.00	88-69 Burner Ring, 69-Orifice
32, 66 & 88- Other nozzle sizes available upon request	
8102.0100.00	Replacement Nozzle

BRUSH - Rotating



- 580 PSI
- 140° F Max
- 3.0mm Nozzle



Part#	Description
8108.9152.00	Nylon Bristles, 1/4" M Inlet MV #020100001
8108.8300.00	Horse Hair Bristles, 1/4" M Inlet MV #020100011
8108.3303.00	Nylon Bristles w/Joint, 1/4" F Inlet MV #020100002
8108.3304.00	Horse Hair Bristles w/Joint, 1/4" F Inlet MV #020100012

CARTS - Components



Part#	Description	Style
8102.0202.01	Knuckle & Bolt for cart 8102.0202.60	E
8402.0264.00	Knuckle & Bolt for cart 8402.0201.00	F
8102.0260.00	Grommet, Spray Tip Holder	C
8102.0261.00	Rubber Foot w/Hardware for carts 8102.0201.00, 8102.0202.60 & 8102.0203.00	A
8402.0260.00	Rubber Foot for carts 8402.0201.00 & 8402.0202.00	D
8102.0263.00	Nickel Plated Axle Cap, 5/8"	B
8102.0264.00	Nickel Plated Axle Cap, 3/4"	B



Part#	Description	Style
8402.0252.00	10" Pneumatic Wheel 3/4" Industrial Duty Nylon Bearing	A
8402.0257.00	10" Pneumatic Wheel 5/8" Industrial Duty Nylon Bearing	A
8402.0253.00	13" Pneumatic Wheel 3/4" Industrial Duty Nylon Bearing	B
8402.0258.00	10" Foam Filled Tire 3/4" Axle	C
8402.0259.00	10" Foam Filled Tire 5/8" Axle	C

CARTS - Pressure Washers

- Durable Powder Coat
- Pneumatic Wheels
- Nickel Axle Caps
- Rubber Foot Pads
- Rubber Nozzle Grommets
- Heavy-Duty Welded Steel Frame Cart
- 3/4" Axle



Part#	Description
8402.0207.00 ^A	Cart, 10" Wheels
8402.0209.00 ^A	Cart 10" wheels, foam handle Up to 6.5 HP Gas Engine or 56C Electric Motor Base Dimensions: 14.5" x 14.5"
8402.0202.00 ^B	Cart, 13" Wheels
8402.0210.00 ^C	Cart, 13" wheels 11-20 HP Gas Engine or 182-184T Electric Motor Base Dimensions: 14" x 21"

CARTS - Cart Components



Part#	Description
8102.0270.00	4" Pulley
7600.0271.00	24mm Bushing
7600.0272.00	1" Bushing
7600.0276.00	9" Pulley
8102.0274.00	40" Belt B-Style
8102.0275.00	Pulley & Belt Assembly Kit" Includes all of the above, 2 belts, 2 bolts

COUPLER - QC Plugs

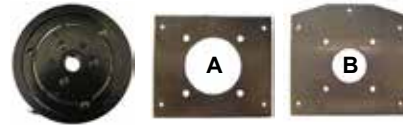
Hardened Steel Plugs

Part#	Description
8102.0324.00	Hardened Steel Plug, 1/4" FPT
8102.0325.00	Hardened Steel Plug, 1/4" MPT
8102.0326.00	Hardened Steel Plug, 3/8" FPT
8102.0327.00	Hardened Steel Plug, 3/8" MPT

Stainless Steel Plugs-5000 PSI

Part#	Description
8102.0328.00	Stainless Steel Plug, 1/4" FPT
8102.0329.00	Stainless Steel Plug, 1/4" MPT
8102.0330.00	Stainless Steel Plug, 3/8" FPT
8102.0331.00	Stainless Steel Plug, 3/8" MPT

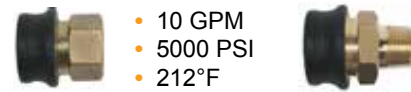
CLUTCH



- 12 Volt
- 101 Nm of Torque
- 75 Lb.-Ft.
- 3.9 Amps

Part#	Description	Style
8201.0000.00	Clutch, Single Groove	
8201.0007.00	Clutch, Double Groove	
8201.0009.00	Clutch, Double Groove, 24 volt with 3/4" Industrial Duty Nylon Bearing	
7600.0100.00	Plate, 2 1/2" Dia For Pump Models FW, HW, RW, SW & TW	A
7600.0101.00	Plate, 1 1/2" Dia For Pump Models LW & ZW	B

COUPLERS - Insulated



- 10 GPM
- 5000 PSI
- 212°F

Part#	Description
8402.1301.00	Coupler, 1/4" Insulated FPT
8402.1302.00	Coupler, 1/4" Insulated MPT
8402.1303.00	Coupler, 3/8" Insulated FPT
8402.1304.00	Coupler, 3/8" Insulated MPT

COUPLER - QC Sockets



- Ball Bearing Snap Connection
- Precision Machined Parts
- Click Lock Design
- 5000 PSI - 1/4"
- 4000 PSI - 3/8" & 1/2"
- **Box Qty 100 (1/4" & 3/8")**
- **Box Qty 50 (1/2")**

Brass Sockets

Part#	Description
8102.0301.00	Brass Socket, 1/4" FPT
8102.0303.00	Brass Socket, 1/4" MPT
8102.0302.00	Brass Socket, 3/8" FPT
8102.0304.00	Brass Socket, 3/8" MPT
8102.0357.00	Brass Socket, 1/2" FPT
8102.0356.00	Brass Socket, 1/2" MPT

Stainless Steel Sockets-5000 PSI

Part#	Description
8102.0309.00	Stainless Steel, 1/4" FPT
8102.0311.00	Stainless Steel, 1/4" MPT
8102.0310.00	Stainless Steel, 3/8" FPT
8102.0312.00	Stainless Steel, 3/8" MPT

O-RING - Replacement

Part#	Description
8102.0301.01	"O" Ring for 1/4" Couplers
8102.0301.02	Viton "O" Ring for 1/4" Couplers
8102.0302.01	"O" Ring for 3/8" Couplers
8102.0302.02	Viton "O" Ring for 3/8" Couplers
8102.0356.01	"O" Ring for 1/2" Couplers

COUPLERS - QC Plugs



- Industrial Grade Steel
- Precision Machined Parts
- 5000 PSI - 1/4"
- 4000 PSI - 3/8" & 1/2"
- **Box Qty 100**

Brass Plugs

Part#	Description
8102.0350.00	Brass Plug, 1/4" FPT
8102.0351.00	Brass Plug, 1/4" MPT
8102.0352.00	Brass Plug, 3/8" FPT
8102.0353.00	Brass Plug, 3/8" MPT
8102.0363.00	Brass Plug, 1/2" FPT
8102.0362.00	Brass Plug, 1/2" MPT

ST-N2 Steel Plugs

Part#	Description
8102.0320.00	Steel Plug, 1/4" FPT
8102.0321.00	Steel Plug, 1/4" MPT
8102.0322.00	Steel Plug, 3/8" FPT
8102.0323.00	Steel Plug, 3/8" MPT
8102.0355.00	Steel Plug, 1/2" FPT
8102.0354.00	Steel Plug, 1/2" MPT

COUPLERS - QC Plugs

Hardened Steel Plugs

Part#	Description
8102.0324.00	Hardened Steel Plug, 1/4" FPT
8102.0325.00	Hardened Steel Plug, 1/4" MPT
8102.0326.00	Hardened Steel Plug, 3/8" FPT
8102.0327.00	Hardened Steel Plug, 3/8" MPT

Stainless Steel Plugs-5000 PSI

Part#	Description
8102.0328.00	Stainless Steel Plug, 1/4" FPT
8102.0329.00	Stainless Steel Plug, 1/4" MPT
8102.0330.00	Stainless Steel Plug, 3/8" FPT
8102.0331.00	Stainless Steel Plug, 3/8" MPT

COUPLERS - Twist Connect & QC



- Secure Twist Connection
- Click Lock Design
- 4000 PSI

Part#	Description
8402.1305.00	Coupler M22F x 3/8" QC

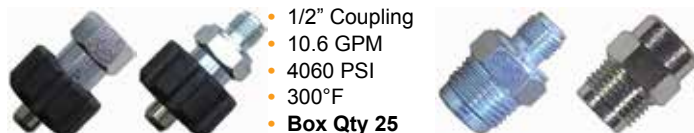
COUPLERS - Twist Connect & QC



- Adapts from QC to M22 Twist Connect
- 4000 PSI
- **Box Qty 100**

Part#	Description
8102.8518.00	3/8" QC Socket X M22M
8102.8519.00	3/8" QC Plug x M22F

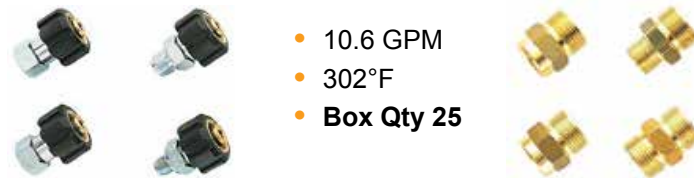
COUPLERS - Twist Connect, 1/2" MVG



- 1/2" Coupling
- 10.6 GPM
- 4060 PSI
- 300°F
- **Box Qty 25**

Part#	Description
8108.9156.00	Body G 1/4" F MV #0212000030
8108.9157.00	Body G 1/4" M MV #0212000050
8108.8019.00	Body G 3/8" F MV #0212000020
8108.7012.00	Body G 3/8" M MV #0212000040
8108.7013.00	Plug G 1/4" F MV #0212000130
8108.9124.00	Plug G 1/4" M MV #0212000150
8108.7014.00	Plug G 3/8" F MV #0212000120
8108.7015.00	Plug G 3/8" M MV #0212000140

COUPLERS - Twist Connect, M22



- 10.6 GPM
- 302°F
- **Box Qty 25**
- 8 GPM
- 10.6 GPM

Part#	Description
8108.9125.00	Body, 1/4" F x M22F, 3600 PSI MV #0212003530
8108.8302.00	Body, 1/4" M x M22F, 3600 PSI MV #0212003550
8108.7004.00	Body, 3/8" F x M22F, 3600 PSI MV #0212003520
8108.8301.00	Body, 3/8" M x M22F, 3600 PSI MV #0212003540
8108.8303.00	Plug, 1/4" F x M22M, 4060 PSI MV #0212003630
8108.7005.00	Plug, 1/4" M x M22M, 4060 PSI MV #0212003650
8108.7006.00	Plug, 3/8" F x M22M, 4060 PSI MV #0212003620
8108.7007.00	Plug, 3/8" M x M22M, 4060 PSI MV #0212003640

COUPLERS - Twist Connect, M22



- Secure Twist Connection
- Precision Machined
- 10 GPM
- 4000 PSI
- **Box Qty 100**

Part#	Description	Style
8102.6000.00	Body, 1/4" FPT x M22F, Brass	A
8102.6020.00	Body, 1/4" MPT x M22F Brass	B
8102.6001.00	Body, 3/8" FPT x M22F, Zinc	C
8102.8521.00	Body, 3/8" MPT x M22F Brass	D
8102.6002.00	Plug, 1/4" FPT x M22M	E
8102.6004.00	Plug, 1/4" MPT x M22M	F
8102.6003.00	Plug, 3/8" FPT x M22M	G
8102.6005.00	Plug, 3/8" MPT x M22M	H
8102.6000.01	O-ring, Twist Connect	

COUPLING - Ball Quick Coupling



- 12 GPM
- 3600 PSI
- 300° F
- **Box Qty 5**

Part#	Description
8108.8304.00	Coupler, G 1/4" M MV #0212006150
8108.8307.00	Coupler, G 1/4" M, Viton O-ring MV #4101202001
8108.8308.00	Coupler, G 1/4" M, Viton O-ring, SS MV #4101202002
8402.1677.00	Plug, G 1/4" F

ENGINE KEYS



- Keys for All Common Engine Shafts
- Fits 1" & 3/4" Shafts

Part#	Description
8102.2800.00	Shaft Key-3/4" Solid Shaft
8102.2801.00	Shaft Key-1" Solid Shaft

FILTER/HOSE Assembly



- Industrial Duty Hose
- Chemical Filter with Check Valve

Part#	Description
8102.3000.00	Chemical Hose Assembly, 3 ft.
8102.3001.00	Chemical Hose Assembly, 6 ft.

FILTERS - Self-Cleaning



- 40 GPM
- 290 PSI
- 60° F
- Polypropylene

Part#	Description
8108.8006.00	Filter, In-Line G1" F, 80 Mesh MV #8106002
8108.8007.00	Filter, In-Line G1" F, 100 Mesh MV #8106003
NEW 8108.8009.00	Filter, In-Line 1" FPT, 100 Mesh MV #8106007

FILTER - MV 19



- 8 GPM
- 116 PSI
- 140° F
- 70 micron; 290 mesh
- 3/4" F Inlet x 3/4" M Outlet
- **Box Qty 10**

Part#	Description
8108.7033.00	Plastic, clear, suction MV #0211001110

FILTERS - Canister



- 174 PSI
- 1" (F x F) Connection
- Uses 9-3/4" Filters

Part#	Description
8402.0430.00	Poly carbonate Housing
8402.0431.00	Filter, Plastic, 60 Microns, 9 3/4"
8107.0432.00	Filter, Carbon Block, 5 Microns

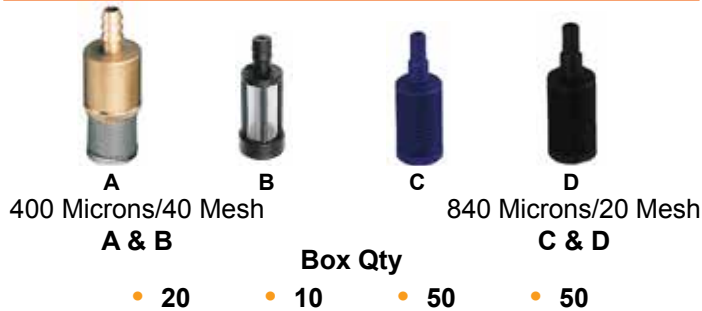
FILTERS - High Pressure



- 10.5 GPM
- Max PSI 5000
- Max Temp 194°
- Stainless w/Brass Insert
- 80 Mesh

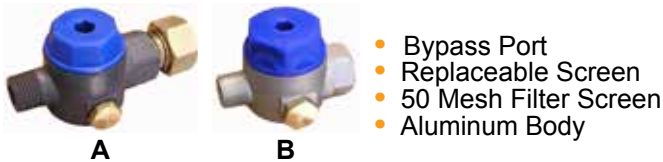
Part#	Description
8402.0335.00	Filter 1/4" FPT x 1/4" MPT
8402.0334.00	Filter 1/4" QC x 1/4" MPT
8402.0334.01	Screen, High Pressure Filter

FILTERS - Chemical Suction



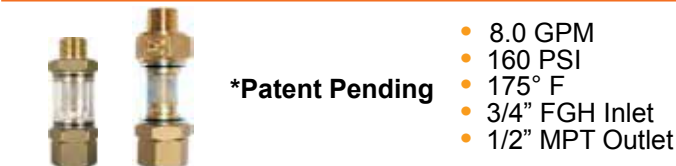
Part#	Description	
8402.2005.00	Chemical Strainer--with Check	A
8108.7024.00	Chemical Strainer--with Ballast MV #8064000	B
8108.9119.00	Intake Strainer, MV 15 MV #0211000120	C
8108.9118.00	Intake Strainer, MV 16 w/Check	D

FILTER - Inlet



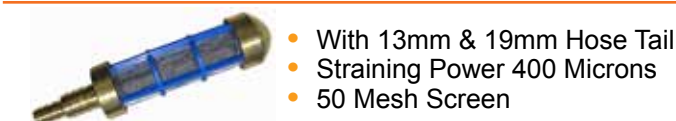
Part#	Description	
8402.0410.00	Inlet Filter, 1/2" F x 1/2" M	B
8402.0411.00	Replacement Blue Cap	
8402.0412.00	Replacement Screen	
8102.0401.00	Inlet Filter, FGH x 1/2" M w/ Garden Hose Adaptor	A

FILTER - Inlet, Clear Bowl



Part#	Description
8102.0460.00	Filter, No By-Pass
8102.0461.00	Filter, 1/4" By-Pass
8102.0460.01	Replacement Sleeve
8102.0460.02	Replacement O-Ring

FILTER - Tank Suction



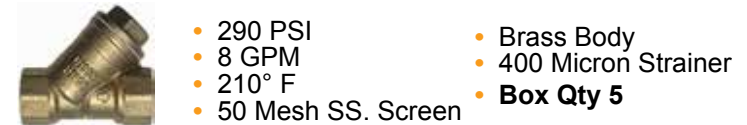
Part#	Description
8402.0440.00	Tank Suction Filter
8402.0441.00	Tank Suction Filter w/check

FILTER - Strainer MV 18



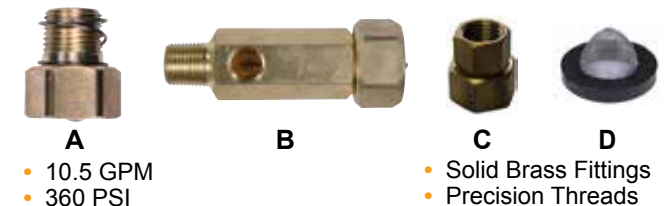
Part#	Description
8108.7016.00	1/2" F x 1/2" M x 1/4" F By-Pass MV #0211001080
8108.7011.00	1/2" F x 1/2" M, No By-Pass MV #0211001090
1002.0110.00	1/2" F x 1/2" F, No By-Pass MV #0211001100
8108.7017.00	Cap MV #0103740020
8108.7022.00	O-ring MV #0110750960

FILTER - Intake Strainer



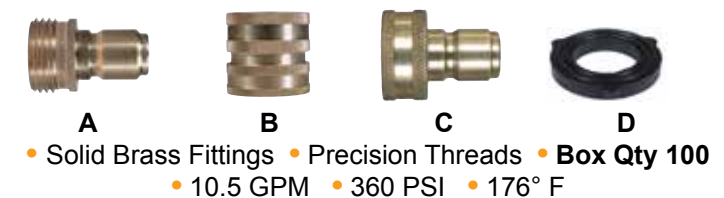
Part#	Description
8107.2011.00	1/2" F x 1/2" F MV #0211000520
8107.2012.00	3/4" F x 3/4" F MV #0211000530
8107.2013.00	1" F x 1" F MV #0211000540

FITTINGS - Garden Hose



Part#	Description	
8105.0600.00	3/8" MPT x FGH	A
8105.0601.00	1/2" MPT x FGH	A
8105.0501.00	3/8" MPT x FGH	B
8105.0500.00	1/2" MPT x FGH	B
8105.0502.00	1/2" FPT x FGH	C
8102.0450.00	Filter Washer for GH Adapter	D

FITTINGS - QC Garden Hose



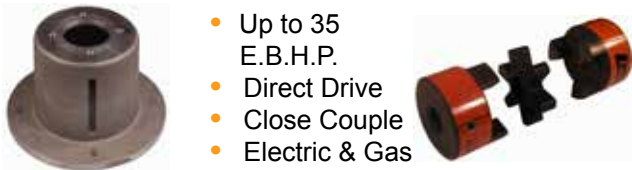
Part#	Description	
8102.0335.00	Plug, Brass, 1/2" QC x MGH	A
8102.0336.00	Coupler, Brass, 1/2" QC x FGH	B
8102.0337.00	Garden Hose QC Set	
8102.0338.00	Plug, Brass, 3/4" FBSP	C
8102.0451.00	Washer, Garden Hose	D

FITTINGS - Misc.



Part#	Description	
8102.6017.00	Street L, 1/8" M x 1/4" F, Brass	A
8102.0503.00	Street L, 1/4" M x 1/4" F	A
8102.0509.00	Street L, 3/8" M x 1/4" F, Brass	A
8102.0504.00	Street L, 3/8" M x 3/8" F	A
8107.0508.00	Street L, 1/2" M x 1/2" F, Brass	A
8102.0502.00	Tee, 3/8" F x 3/8" F x 3/8" F	B
8102.0512.00	Nipple 1/4" MPT x 1/4" MPT, Brass	C
8102.6016.00	Nipple 3/8" MPT x 1/4" MPT, Brass	C
8102.0505.00	Nipple, 3/8" MPT x 3/8" MPT, Brass	C
8102.6011.00	Nipple, 1/2" MPT x 1/2" MPT, Brass	C
8102.6006.00	Nipple, M22M x M22M	C
8102.0520.00	Bushing 3/8" MPT x 1/4" FPT, Brass	D
8102.0506.00	Bushing 1/2" MPT x 3/8" FPT, Brass	D
8102.0519.00	Bushing 3/4" MPT x 1/2" FPT, Brass	D
8102.6012.00	Adapter 3/8" FPT x 1/4" MPT, Brass	E
8102.6014.00	Coupling, 3/8" F, Brass	F
8102.0507.00	Hose Barb 3/8" x 1/4" MPT, Brass	G
8102.0508.00	Hose Barb 3/8" x 3/8" MPT, Brass	G
8102.0517.00	Hose Barb 1/2" x 3/8" MPT, Brass	G
8102.0518.00	Hose Barb 1/2" x 1/2" MPT, Brass	G
8102.6022.00	Plug 3/4" brass	

FLEX COUPLER - Love Joy



- Up to 35 E.B.H.P.
- Direct Drive
- Close Couple
- Electric & Gas

Part#	Description
1009.0273.00	Bell Housing, NEMA 184-213-215
8201.0002.00	Love Joy Coupler, 24mm (Jaw)
8201.0003.00	Love Joy Coupler, 1" (Jaw)
8201.0004.00	Love Joy Coupler, 1-1/8" (Jaw)
8201.0005.00	Love Joy Coupler, 1-3/8" (Jaw)
8201.0006.00	Spider (Jaw)

FLOAT TANK



- 0.8 Gallon Tank
- 140° F Max
- Tank includes Lid
- Panel Mount
- **Box Qty 10**

Part#	Description
8108.8015.00	Tank with Inlet and Bulkhead MV #021000010

FLOAT VALVES



- A** • **Box Qty 25**
 - 140° F Max.
 - 3/4 Male Inlet
- B** • **Box Qty 50**

Part#	Description	
8107.2602.00	Valve, Brass, 105 PSI	A
8107.2601.00	Valve, Plastic, 145 PSI	B

FOAMER - MVF 808



- 1800 PSI
- 140° F
- 1/4" Female Inlet
- **Box Qty 5**

Part#	Description
8108.2610.00	Foamer, .09 Gal. Tank MV #0202001000

FOAMER - Professional FL 803



- 5.3 GPM
- 2900 PSI
- 140° F
- 1/4" Female Inlet
- **Box Qty 5**

Part#	Description
8108.2611.00	Foamer, .26 Gal. Tank MV #0202001020
8108.2611.01	Filter MV #0120720040

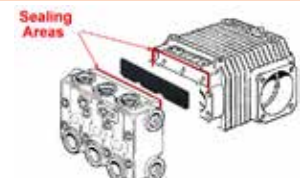
FOAMER - Professional LS 10



- 6.5 GPM
- 3200 PSI
- 150° F
- 3/8" Male Inlet
- .5 Gal. Tank
- **Box Qty 5**

Part#	Description
8116.2604.00	Foamer

GASKET - Manifold



- Extra Protection Against a dirty Environment

Part#	Description
1201.0168.00	Seal for LW & ZW
1201.0167.00	Seal for FW & HW

GAUGES - Pressure



- 3/8" QD Brass Socket w/ Stainless Steel Collar
- 3/8" QD Brass Plug
- 1/4" FPT Gauge Port

Part#	Description
8102.0332.00	QD Gauge Fitting
8102.0340.00	QD Gauge Kit w/4000 PSI Gauge

GAUGES - Pressure



- Glycerin Filled
- 1/4" MNPT Inlet
- Stainless Steel Case
- 2-1/2" Diameter

Part #	Description
8106.0607.00	Gauge, 1500 PSI, Back Mount
8106.0602.00	Gauge, 2000 PSI, Back Mount
8106.0602.50	Clamp, Universal, Gauge
8106.0613.00	Gauge, 3000 PSI, Comet Logo
8106.0614.00	Gauge, 4000 PSI, Comet Logo
8106.0627.00	Gauge, 5000 PSI, Single Scale
8106.0616.00	Gauge, 5000 PSI, Back Mount
8106.0615.00	Gauge, 6000 PSI, Comet Logo
8106.0618.00	Gauge, 6000 PSI, Back Mount
8106.0620.00	Gauge, 10K PSI, Single Scale

*Gauges are Bottom Mount except where noted.

GEAR REDUCERS - Gas Engine



- 2.2:1 Gear Ratio
- Helical Cut Gears
- Oil Ring Seal

Part#	Description
5005.0207.00	Gear Reducer, 1", 9-20 HP
5005.0209.00	Gear Reducer, 1-1/8", 9-20 HP
5005.0236.00	Gear Reducer, 1", 25 HP
5005.0237.00	Gear Reducer, 1-1/8", 25 HP
5005.0254.00	Gear Box, 1500 RPM ELR, ELHR
5005.0255.00	Gear Box, 1900 RPM ELR, ELHR
5005.0246.00	Gear Box, 1500 RPM G & GL
5005.0247.00	Gear Box, 1800 RPM G & GL
5005.0249.00	Gear Box, 1500 RPM SL
5005.0250.00	Gear Box, 1800 RPM SL

GEAR REDUCERS - Gas Engine



8116.0204.00



Other Gear Boxes



- 2.176:1 Gear Ratio

Part #	Pump	Drive Shaft	HP
8116.0200.00	24mm (.9449")	1-1/8"	18-24
8116.0201.00	24mm (.9449")	1"	18-24
8116.0204.00*	24mm (.9449")	1"	11-18
8116.0205.00	30mm (1.181")	1-1/8"	24-31
8116.0200.01	Spacer for 8116.0200.00 (4-per)		

*Honda Approved

GFCI



- UL, CSA 120V/15A
- Accepts SJTW Cord

Part#	Description
0456.0116.00	GFCI, w/20' Cord
3038.0006.00	GFCI

GUNS - ML 710 & L 70

NEW



- 16 GPM
- 10,150 Max PSI
- 250° F Max

Part#	Description
8108.7605.00	Spray Gun, 3/8" F Inlet/Outlet MV #4013400000
8108.7605.01	Repair Kit, ML 710 MV #4019900049
8108.7102.00	Shoulder Support MV #4132300000
8108.7270.00	Lance Extension, L 70, 31" MV #4030500004
8108.7271.00	Lance Extension, L70, 47" MV #4060500005

GUNS - RL 600 SST



- 15.8 GPM @ 9500 PSI
- 210° F Max
- 3/8" F In/outlet
- AISI 303 Stainless Steel

Part#	Description
8116.1619.00	Spray Gun
8108.7102.00	Shoulder Support MV #4132300000

GUNS - RL 84



- 21 GPM @ 8100 PSI
- 210° F Max
- 1/2" F Inlet
- 1/2" F Outlet

Part#	Description
8116.1608.00	Spray Gun

GUNS-EXTENSION - RL 84



- 53 GPM @ 8100 PSI
- 109° F Max
- 1/2" Male Inlet
- 1/4" Female Outlet
- Stainless Steel AISI 304

Part#	Description
8116.1608.10	Lance Extension, 15.7"
8116.1603.10	Lance Extension, 31.5"
8116.1608.20	Lance Extension, 50"

NEW

GUNS - ML 510 & L 200

NEW



- 16 GPM @ 8100 PSI
- 250° F Max
- 1/2" F In/Out

Part#	Description
8108.8626.00	Spray Gun MV #4013300000
8108.7605.01	Repair Kit MV #4019900049
8108.7102.00	Shoulder Support MV #4132300000
8108.8625.01	Lance Ext L200 32" 1/2"M In, 1/4"F Out MV #4030500008
8108.8625.02	Lance Ext L200 48" 1/2"M In, 1/4"F Out MV #4030500009

GUNS - RL 56



- 8 GPM @ 5650 PSI
- 320° F
- 3/8" F Inlet
- 1/4" F Outlet

Part#	Description
8116.1612.00	Spray Gun, Compensated

GUNS - MV 951



- 11 GPM @ 5075 PSI
- 300° F
- 3/8" Female Inlet
- 1/4" Female Outlet

Part#	Description
8108.1611.00	Spray Gun MV #4012206001
8108.1611.01	Repair Kit MV #0200103550

GUNS - ML 960

NEW



- 7.4 GPM @ 8000 PSI
- 320° F
- 3/8" F In, 1/4" F Out
- Stainless Steel
- Soft Touch Rubber Grip

Part#	Description
8108.8631.00	Spray Gun MV #4017000033
8108.8631.01	Repair Kit MV #4019900066

GUNS - RL 57



- 7.5 GPM @ 8100 PSI
- 320° F
- 3/8" F Inlet
- 1/4" F Outlet
- Stainless Steel 303

Part#	Description
8116.1616.00	Spray Gun

GUNS - ML 955

NEW



- 10.6 GPM @ 5800 PSI
- 320° F
- 3/8" FPT Inlet
- 1/4" FPT Outlet
- Soft Touch Rubber Grip

Part#	Description
8108.8629.00	Spray Gun MV #4017000010
8108.8629.01	Repair Kit MV #4019900059

GUNS - AL 55



- 12 GPM @ 5075 PSI
- 320° F
- 3/8" Female Inlet
- 1/4" Female Outlet

Part#	Description
8108.8623.00	Spray Gun MV #4012209010
8108.8623.01	Repair Kit MV #4019900011

GUNS - Free Flow MV 951



- 11 GPM @ 5075 PSI
- 300° F
- 3/8" Female Inlet
- 1/4" Female Outlet

Part#	Description
8108.1612.00	Spray Gun, Triggerless MV #4012906000

GUNS - Weep MV 951



- 11 GPM @ 5075 PSI
- 300° F
- 3/8" F Inlet
- 1/4" F Outlet

Part#	Description
8108.8611.00	Spray Gun, Weep. Blue Trigger Lock MV #4012406003
8108.8611.01	Repair Kit, Weep MV #4019900001
8108.8612.00	Spray Gun, Low Pressure Weep, Green Trigger Lock MV #4012406004
8108.8612.01	Repair Kit, Low Pressure Weep MV #4019900000

GUNS - Ceramic Ball MV 2012



- 11 GPM @ 5075 PSI
- 320° F
- 3/8" F Inlet
- 1/4" F Outlet

Part#	Description
8108.8615.00	Spray Gun MV #4012203010
8108.8615.01	Repair Kit MV #4019900015

GUNS - MV 2012



• **Box Qty 20**

- 11 GPM @ 5075 PSI
- 320° F
- 3/8" F Inlet
- 1/4" F Outlet

Part#	Description
8108.8613.00	Spray Gun MV #4012203008
8108.8613.01	Repair Kit MV #4019900013

GUNS - Linear 3 Horizontal



• **Box Qty 20**

- 10.5 GPM @ 5000 PSI
- 320° F
- 3/8" FPT Inlet
- 1/4" FPT Outlet

Part#	Description
8116.1615.00	Spray Gun, Horizontal

GUNS - MV 925



• **Box Qty 20**

- 8 GPM @ 4500 PSI
- 320° F
- 3/8" F Inlet
- 1/4" F Outlet

Part#	Description
8108.8617.00	Spray Gun MV #4012205005
NEW 8108.8624.00	Spray Gun MV #4012205002
8108.8618.00	Spray Gun, Swivel MV #4012305005
8108.8619.00	Spray Gun, Swivel, Heavy Duty MV #4012305011
NEW 8108.8617.01	Repair Kit MV #4019900025
8108.8620.00	Spray Gun, Weep MV #4012405005
NEW 8108.8620.01	Repair Kit MV #4019900032
8108.8621.00	Spray Gun, Weep, Low Pressure MV #4012405008
NEW 8108.8621.01	Repair Kit MV #4019900033

GUNS - Stainless Steel MV 2002



- 12 GPM @ 5075 PSI
- 320° F
- 3/8" F Inlet
- 1/4" F Outlet

Part#	Description
8108.9037.00	Spray Gun MV #0200011510
8108.9037.01	Repair Kit MV #0200111500

GUNS - Swivel MV 2002



• **Box Qty 20**

- 11 GPM @ 5075 PSI
- 320° F
- 3/8" F Inlet
- 1/4" F Outlet

Part#	Description
8108.8614.00	Spray Gun MV #4012303010
8108.8613.01	Repair Kit MV #4019900013

GUNS - RL 30



- 10.5 GPM @ 5000 PSI
- 320° F
- 3/8" FPT Inlet
- 1/4" FPT Outlet

Part#	Description
8116.1600.00	Spray Gun
8116.1614.00	Spray Gun, Ceramic Ball

GUNS - Free Flow MV 925



• **Box Qty 20**

- 8 GPM @ 4500 PSI
- 320° F
- 3/8" F Inlet
- 1/4" F Outlet

Part#	Description
8108.8622.00	Spray Gun, Free Flow MV #4012905001
8108.8622.01	Repair Kit MV #4019900039

GUNS - Horizontal



- 10.5 GPM @ 5000 PSI
- 210° F Max Temp.
- 3/8" FPT Inlet
- 1/4" FPT Outlet

Part#	Description
8102.1606.00	Spray Gun, Horizontal

GUNS - ML 957

NEW



• **Box Qty 20**

- 13.2 GPM @ 4050 PSI
- 320° F
- 3/8" FPT Inlet
- 1/4" FPT Outlet
- Soft Touch Rubber Grip

Part#	Description
8108.8630.00	Spray Gun MV #4017000047
8108.8630.01	Repair Kit MV #4019900079

GUNS - RL 51



- 13.2 GPM @ 4050 PSI
- 320° F
- 3/8" F Inlet
- 1/4" F Outlet

Part#	Description
8116.1613.00	Spray Gun

GUNS - MV 920, M22



- 7 GPM @ 4000 PSI
- 300° F
- M22M Inlet
- M22M Outlet

Part#	Description
8108.9033.00	Spray Gun MV #0200009330
8108.1625.01	Repair Kit MV #0200109000

GUNS - Weep MV 920



- 7 GPM @ 4000 PSI
- 300° F
- 3/8" F Inlet
- 1/4" F Outlet

Part#	Description
8108.1625.00	Spray Gun MV #0200009190
8108.1625.01	Repair Kit MV #0200109000

GUNS - MV 2006



- Thumb wheel for high to low pressure adjustment
- 8 GPM @ 3700 PSI
 - 320° F
 - 3/8" F Inlet
 - 1/4" F Outlet
- **Box Qty 50**

Part#	Description
8108.8600.00	Spray Gun MV #0200006120
8108.8600.01	Repair Kit MV #0200106110

GUNS - RL 204



- 53 GPM @ 3200 PSI
- 210° F
- 3/4" F Inlet
- 1/2" F Outlet

Part#	Description
8116.1607.00	Spray Gun

GUNS-EXTENSION - RL 204



- 53 GPM @ 8100 PSI
- 109° F Max
- 1/2" M In, 1/4" F Out
- Stainless Steel AISI 304

Part#	Description
8116.1608.10	Lance Extension, 15.7"
8116.1603.10	Lance Extension, 31.5"
NEW 8116.1608.20	Lance Extension, 50"

GUNS - ML 210 & L200

NEW



- 53 GPM @ 3200 PSI
- 250° F
- 3/4" F Inlet
- 1/2" F Outlet

Part#	Description
8108.8625.00	Spray Gun MV #401400002
8108.8625.03	Repair Kit MV #4019900052
8108.7102.00	Shoulder Support MV #4132300000
8108.8625.01	Lance L200, 32" MV # 4030500008
8108.8625.02	Lance L200, 48" MV #4030500009

GUNS - Front Entry-7027



- 10 GPM @ 3200 PSI
- 210° F
- Brass Valve Body
- 3/8" F Front Inlet
- 1/4" F Outlet

Part#	Description
8102.1601.00	Spray Gun
8102.1601.01	Repair Kit

GUNS - MV 960



- 7 GPM @ 2600 PSI
- 210° F
- 3/8" F Inlet
- 1/4" F Outlet
- **Box Qty 20**

Part#	Description
8108.9028.00	Spray Gun MV #0200004810
8108.1601.01	Repair Kit, Standard MV #0200104000

GUNS - MV 910



- 5 GPM @ 2000 PSI
- 180° F
- 1/4" M Inlet
- 1/4" F Outlet

Part#	Description
8108.1607.00	Spray Gun MV #0200006000

GUNS - RL 124



- 32 GPM @ 1950 PSI
- 109° F
- 1/2" F Inlet
- 1/2" F Outlet

Part#	Description
8116.1609.00	Spray Gun,

GUNS-EXTENSION - RL 124



- 26.5 GPM @ 1950 PSI
- 109° F
- 1/2" M Inlet
- 1/4" F Outlet

Part#	Description
8116.1601.10	Lance Ext., 31.5", Zinc Plated Steel

GUNS LANCE - Molded



- 10.5 GPM @ 4000 PSI
- 300° F
- 3/8" F Inlet
- 22mm Outlet
- Brass Valve Body

Part#	Description
8102.1640.00	Gun Lance

GUN LANCE - MV 925



- **Box Qty 15**
- 8 GPM @ 4500 PSI
- 320° F
- 3/8" F Inlet
- M22F Outlet

Part#	Description
8108.8644.00	Spray Gun MV #4022105002
8108.8645.00	Spray Gun, Swivel Inlet MV #4022205000
8108.8646.00	Spray Gun, Swivel Inlet, Heavy Duty MV #4022205005

GUN LANCE - Molded



- 8 GPM @ 4000 PSI
- 210° F Max
- 3/8" QC Plug Inlet
- 36" Lance w/1/4" QC Socket Outlet
- Holds Four Additional QC Nozzles
- Includes Side Grip Handle

Part#	Description
8102.1648.50	Gun Lance Assembly

GUN LANCE - Molded, MV 2009



- 8 GPM @ 4000 PSI
- 212° F Max

Part#	Description
8108.7603.00	3/8" F Inlet x M22F Outlet MV #4021109010
8108.7604.00	M22M Inlet x M22F Outlet MV #4021109007

GUN LANCE - Molded, MV 920



- 7 GPM @ 4000 PSI
- 300° F Max
- **Box Qty 55**

Part#	Description
8108.7641.00	Weep, 3/8" F Inlet x 1/4" F Outlet MV #0200909290

GUN LANCE - Vented, MV 2006



- **Box Qty 5**
- 8 GPM @ 3700 PSI
- 320° F Max
- 3/8" F Inlet
- M22F Outlet

Part#	Description
8108.9043.00	Gun Lance MV #0200916120

GUN LANCE - Vented, MV 2005



- **Box Qty 20**
- 8 GPM @ 3700 PSI
- 320° F Max
- 3/8" F Inlet
- M22F Outlet

Part#	Description
8108.8607.00	Gun Lance MV #0200917120

GUN LANCE - w/Vari Spray



- **Nozzle Sold Separately**
- **Box Qty 5**
- AL55 & LM25
- 12 GPM @ 3625 PSI
- 194° F Max
- SST AISI 304

Part#	Description
8108.7650.00	Gun Lance, 3/8" F x M15 x 1 F MV #44022409000
8108.7690.00	Nozzle, 1.2 Orifice, Flat Spray MV #8278001
8108.7691.00	Nozzle, 1.5 Orifice, Flat Spray MV #8278002
8108.7692.00	Nozzle, 1.8 Orifice, Flat Spray MV #8278003
8108.7693.00	Nozzle, 2.0 Orifice, Flat Spray MV #8278004
8108.7694.00	Nozzle, 2.3 Orifice, Flat Spray MV #8278005
8108.7695.00	Nozzle, 2.5 Orifice, Flat Spray MV #8278006
8108.7696.00	Nozzle, 3.0 Orifice, Flat Spray MV #8278007
8108.7697.00	Nozzle, 3.5 Orifice, Flat Spray MV #8278015

GUN LANCE - MV925 & MV70



- **Box Qty 15**
- 8 GPM @ 4500 PSI
- 320° F Max
- 3/8" FPT x M22F

Part#	Description
8108.7649.00	Gun Lance MV #4022105009

GUN LANCE - MV 925

NEW


- **Box Qty 15**
- 8 GPM @ 4500 PSI
- 320° F Max
- 3/8" FPT x 1/4" F Out

Part#	Description
8108.7654.00	Gun Lance MV #4022105006

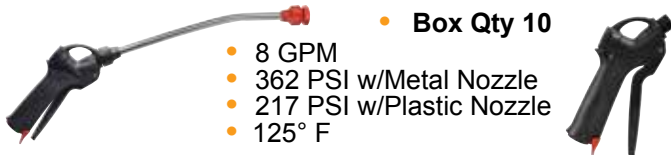
GUN LANCE - Molded, MV 2008



- 7 GPM @ 3200 PSI
- 140° F Max
- Front Entry

Part#	Description
8108.7600.00	3/8" F Inlet x M22F Outlet MV #0200903520
8108.9039.00	M22M Inlet x M22F Outlet MV #4020008003

GUNS LANCE - Jolly 25 & Nozzles



- **Box Qty 10**
- 8 GPM
- 362 PSI w/Metal Nozzle
- 217 PSI w/Plastic Nozzle
- 125° F

*Nozzles Sold Separately Below

Part#	Description
8108.7222.00	Gun & Lance 36.5" SS AISI 316, EPDM O-Ring, Blue MV #4020009002
8108.7225.00	Gun & Lance 36.5" SS AISI 316, Viton O-Ring, Red MV #4020009006
8108.7228.00	Gun & Lance 36" PVC, EPDM O-Ring, Blue MV #4020009010
8108.7231.00	Gun & Lance 36" PVC, Viton O-Ring, Red MV #4020009014
8108.7210.00	Spraygun, EPDM O-Ring, 1/2"Fx1/2" M, Blue MV #4010007000
8108.7211.00	Spraygun, Viton O-Ring, 1/2"Fx1/2"M, Red MV #4010007001

Part#	Description
8108.7222.10	Nozzle, 80 Deg. 010 Orange MV #4059500018
8108.7222.15	Nozzle, 80 Deg. 015 Green MV #4059500019
8108.7222.20	Nozzle, 80 Deg. 020 Yellow MV #4059500012
8108.7222.30	Nozzle, 80 Deg. 030 Blue MV #4059500013
8108.7222.40	Nozzle, 80 Deg. 040 Red MV #4059500014
8108.7222.50	Nozzle, 80 Deg. 050 Brown MV #4059500015
8108.7222.60	Nozzle, 80 Deg. 060 Gray MV #4059500016
8108.7222.80	Nozzle, 80 Deg. 080 White MV #4059500017

GUN LANCE - Hobby Kit



- Front Load Gun @ 2950 PSI
- Molded 36" Split Lance
- Vari-Nozzle #3
- 25' x 1/4" 3000 PSI w/M22 Fitting
- 140° F Max Temp

Part#	Description
8102.2600.00	Gun/Lance

HOSE ASSEMBLIES - 4000 PSI



- 4000 PSI Max.
- 250° F, (275°F Intermittent)
- 3/8" M Solid x 3/8" M Swivel
- Bend Restrictor on Both Ends
- Single Wire

Part#	Description
8115.0840.00	4000-25, Black, 25'
8115.0841.00	4000-50, Black, 50'
8115.0842.00	4000-100, Black, 100'
8115.0846.00	4000-25, Non-Marking Gray, 25'
8115.0847.00	4000-50, Non-Marking Gray, 50'
8115.0848.00	4000-100, Non-Marking Gray, 100'

HOSE ASSEMBLIES - 6000 PSI



- 6000 PSI Max.
- 250° F, (275°F Intermittent)
- 3/8" M Solid x 3/8" M Swivel
- Bend Restrictor on Both Ends
- Double Wire

Part#	Description
8115.0854.00	6000-25, Black, 25'
8115.0855.00	6000-50, Black, 50'
8115.0857.00	6000-100, Black, 100'
8115.0858.00	6000-25, Non-Marking Gray, 25'
8115.0859.00	6000-50, Non-Marking Gray, 50'
8115.0860.00	6000-100, Non-Marking Gray, 100'

HOSE ASSEMBLIES - 8000 PSI



- 8000 PSI Max.
- 250° F Max Temp
- 3/8" M Solid x 2
- Bend Restrictor on Both Ends
- Double Wire

Part#	Description
8115.0001.00	8000-50, Non-mark, Gray 3/8" Fittings
8115.0003.00	8000-100, Non-mark, Gray 3/8" Fittings
8115.0004.00	8000-200, Non-mark, Gray 3/8" Fittings

HOSE ASSEMBLIES - 10000 PSI



- 10000 PSI Max.
- 250° F Max Temp
- 3/8" M or 1/2" M Solid & Swivel
- Bend Restrictor on Both Ends
- Double Wire

Part#	Description
8115.0006.00	10000-50, non-mark, gray 3/8 fittings
8115.0008.00	10000-100, non-mark, gray 3/8 fittings
8115.0009.00	10000-200, non-mark, gray 3/8 fittings
8115.0011.00	10000-50, non-mark, gray 1/2 fittings
8115.0013.00	10000-100, non-mark, gray 1/2 fittings
8115.0014.00	10000-200, non-mark, gray 1/2 fittings
8115.0300.00	Coupler set, 3/8", 10000PSI
8115.0301.00	Coupler set, 1/2", 10,000PSI

HOSE REELS - Black


HR-75
8112.0802.00
8102.0802.00

- 160° F

Part#	Description
HR-75	Hose Reel, 3000 PSI, 75' 3/8" Hose
8112.0802.00	Hose Reel, 4000 PSI, 100' 3/8" Hose
8102.0802.00	Hose Reel, 4000 PSI, 200' 3/8" Hose

HOSE REEL - Swivel


8112.0804.00

- 4000 PSI
- 3/8" FNPT Inlet
- 3/8" MNPT Discharge


8112.0803.00

Part#	Description
8112.0804.00	Hose Reel 90° Swivel, 160° F Max
8112.0804.01	Repair kit For Hose Reel 8112.0802.00 & 8102.0802.00
8112.0803.00	Swivel, 90°, 400° F Max

INJECTORS - Downstream



- Stainless Steel Insert
- Adjustable Chemical Injection
- 3500 PSI Max
- 212° F Max Temp
- 3/8" MPT Inlet x 3/8" MPT Outlet

Part#	Description	GPM
8402.2122.00	Injector, Adjustable 1.8 mm	2-3
8402.2123.00	Injector, Adjustable 2.1 mm	3-5
8402.2124.00	Injector, Adjustable 2.3 mm	5-8

INJECTORS - Downstream


MVR400

- Stainless Steel Insert
- Adjustable
- 4500 PSI
- 200°F
- 3/8" M In/Outlet

Part#	Description	GPM
8108.2129.00	MVR400-1.6 Adj. MV #0203004140	1 - 2
8108.2130.00	MVR400-1.8 Adj. MV #0203004150	2 - 3
8108.9061.00	MVR400-2.1 Adj. MV #0203004160	3 - 5
8108.2132.00	MVR400-2.3 Adj. MV #0203004170	5 - 8

INJECTORS - Downstream


MV400

MV410

MV420

MVR400

MVR410

MVR420

- Brass Insert
- 4500 PSI
- Adjustable or Fixed Flow
- 200° F
- Box Qty 10

Part#	Description	Inlet	Outlet	GPM
8108.2101.00	MV400-1.6 Fixed MV #0203004000	3/8" M	3/8" M	1-2
8108.2102.00	MV400-1.8 Fixed MV #0203004010	3/8" M	3/8" M	2-3
8108.2103.00	MV400-2.1 Fixed MV #0203004020	3/8" M	3/8" M	3-5
8108.2104.00	MV400-2.3 Fixed MV #0203004030	3/8" M	3/8" M	5-8
8108.2105.00	MV410-1.6 Fixed MV #0203005000	3/8" F	3/8" M	1-2
8108.2106.00	MV410-1.8 Fixed MV #0203005010	3/8" F	3/8" M	2-3
8108.2107.00	MV410-2.1 Fixed MV #0203005020	3/8" F	3/8" M	3-5
8108.2108.00	MV410-2.3 Fixed MV #0203005030	3/8" F	3/8" M	5-8
8108.9064.00	MV420-2.1 Fixed MV #0203006020	3/8" M	3/8" F	3-5
8108.2121.00	MVR400-1.6 Adj. MV #0203004100	3/8" M	3/8" M	1-2
8108.2122.00	MVR400-1.8 Adj. MV #0203004110	3/8" M	3/8" M	2-3
8108.2123.00	MVR400-2.1 Adj. MV #0203004120	3/8" M	3/8" M	3-5
8108.2124.00	MVR400-2.3 Adj. MV #0203004130	3/8" M	3/8" M	5-8
8108.2125.00	MVR410-1.6 Adj. MV #0203005100	3/8" F	3/8" M	1-2
8108.2126.00	MVR410-1.8 Adj. MV #0203005110	3/8" F	3/8" M	2-3
8108.2127.00	MVR410-2.1 Adj. MV #0203005120	3/8" F	3/8" M	3-5
8108.2128.00	MVR410-2.3 Adj. MV #0203005130	3/8" F	3/8" M	5-8
8108.9155.00	MVR420-1.8 Adj. MV #0203006110	3/8" M	3/8" F	2-3
8108.2147.00	MVR420-2.1 Adj. MV #0203006120	3/8" M	3/8" F	3-5
8108.2148.00	MVR420-2.3 Adj. MV #0203006130	3/8" M	3/8" F	5-8

INJECTORS - Downstream



- Brass Insert
- Adjustable Hose Barb
- 4500 PSI
- 200° F
- **Box Qty 10**

Part#	Description	Inlet	Outlet	GPM
8108.8200.00	MVR410-2.1 Adj. MV #0203005620	3/8" F	3/8" M	3-5
8108.8004.00	MVR400-2.1 Adj. MV #0203004620	3/8" M	3/8" M	3-5

INJECTORS - Twist Conn x M22



- 4100 PSI
- 300° F
- Twist Connect Inlet
- M22M Outlet

Part#	Description	GPM
8108.2152.00	Fixed Chem. Inj., 1.8 MV #0203007410	2-3
8108.2151.00	Adj. Chem. Inj., 2.1 MV #0203007220	3-5
8108.2153.00	Adj. Chem. Inj., 2.3 MV #4080102000	5-8

INJECTORS - Quick Connect



- 3500 PSI Max
- 212° F Max Temp
- 3/8" QC Plug Inlet
- 3/8" QC Coupler Outlet
- Brass

Part#	Description	Inlet	Outlet
8402.2101.00	Injector, Adjustable	1.8mm	2-3
8402.2102.00	Injector, Adjustable	2.1mm	3-5
8402.2103.00	Injector, Adjustable	2.3mm	5-8

GUIDE FOR NOZZLE SELECTION

NOZZLE		RECOMMENDED FLOW	
MM	In.	L/Min	GPM
1.6	.06	5-8	1.3-2.1
1.8	.07	8-12	2.1-3.2
2.1	.08	10-15	2.6-4.0
2.3	.09	12-18	3.2-4.8

LANCES - Dual, Molded Chrome



- 11 GPM @ 4060 PSI
- 300° F
- 1/4" M Inlet x F Outlet
- Chrome Plated
- **Box Qty 10**

Part#	Description
8108.8100.00	Lance, 40" LD MV 30 MV #0202003020

LANCES - Dual Vented, Stainless



- 10.5 GPM
- 3600 PSI
- 300° F
- 1/4" M Inlet x F Outlet

Part#	Description
8108.1105.00	Dual Lance, 42", AISI 304 SST MV #4030800001

LANCES - Dual Vented, Stainless



- 10.5 GPM
- 4000 PSI
- 300° F
- 1/4" M Inlet x F Outlet

Part#	Description
8402.1101.00	Dual Lance, 42" Stainless Steel

LANCES - Dual Vented, Zinc



- 10.5 GPM
- 4000 PSI
- 300° F
- 1/4" M Inlet x F Outlet

Part#	Description
8402.1100.00	Dual Lance, 40" Zinc Plated

LANCES - Dual Vented, Zinc



- 10.5 GPM
- 4000 PSI
- 300° F
- 1/4" M Inlet x F Outlet

Part#	Description
8108.1100.00	Dual Lance, 40" Zinc Plated MV #0202003140

LANCES - Dual



- 10.5 GPM
- 3000 PSI
- 284° F
- 1/4" M Inlet x 1/8" F Outlet

Part#	Description
8110.1101.00	Molded Grip, 36"

LANCES - Dual



- 11 GPM
- 3600 PSI
- 300° F

Part#	Description
8108.8020.00	Dual Lance, 23", M22M Inlet MV #0202004691

LANCES - Dual w/Trigger



- 10.5 GPM
- 3600 PSI
- 300° F
- 1/4" M Inlet x F Outlet

Part#	Description
8107.1110.00	Vented Grip, w/Trigger

LANCES - Molded, Zinc, Straight



- 11 GPM
- 4000 PSI
- 300° F

Part#	Description
8402.1200.00	Lance, Molded Grip 13"
8402.1201.00	Lance, Molded Grip 18"
8402.1202.00	Lance, Molded Grip 24"
8402.1203.00	Lance, Molded Grip 36"
8402.1204.00	Lance, Molded Grip 47"
8402.1205.00	Lance, Molded Grip 59"
8402.1206.00	Lance, Molded Grip 70"
8402.1207.00	Lance, Split Grip, 79"

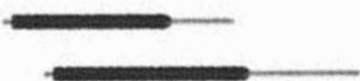
LANCES - Molded, Zinc, Straight



- MV20/B
- 11 GPM
- 4060 PSI
- 300° F Max

Part#	Description	Box Qty
8108.1200.00	Lance, Molded Grip 13" MV #0202002000	20
8108.1201.00	Lance, Molded Grip 17" MV #0202002010	20
8108.1202.00	Lance, Molded Grip 24" MV #0202002040	20
8108.1203.00	Lance, Molded Grip 36" MV #0202002060	20
8108.1204.00	Lance, Molded Grip 47" MV #0202002080	20
8108.1205.00	Lance, Molded Grip 59" MV #0202002090	10
8108.1206.00	Lance, Molded Grip 70" MV #0202002110	10
8108.1207.00	Lance, Molded Grip 79" MV #0202002100	5

LANCES - Molded, Stainless



- SF 40
- 10.6 GPM @ 5075 PSI
- 320° F

Part#	Description	Qty	List Price
8108.7261.00	Lance, 19.6" MV #4030300015	20	\$16.52
8108.7262.00	Lance, 27.5" MV #4030300016	20	\$20.16
8108.7263.00	Lance, 35.4" MV #4030300017	20	\$25.85
8108.7264.00	Lance, 47.2" MV #4030300018	20	\$30.91
8108.7265.00	Lance, 59" MV #4030300019	10	\$36.36
8108.7266.00	Lance, 70.8" MV #4030300020	10	\$44.90
8108.7267.00	Lance, 78.7" MV #4030300021	5	\$50.90

LANCES - Molded, Bent



- 10.5 GPM
- 4060 PSI
- 302° F Max.

Part #	Description	Qty
8107.1270.00	Lance, Molded, 28", Zinc Plated	10
8107.1271.00	Lance, Molded, 36", Zinc Plated	10
8107.1272.00	Lance, Molded, 47", Zinc Plated	10
8107.1273.00	Lance, Molded, 59", Zinc Plated	5
8107.1274.00	Lance, Molded, 67", Zinc Plated	5
8107.1275.00	Lance, Molded, 79", Zinc Plated	5
8107.1280.00	Lance, Molded, 28", SST	10
8107.1281.00	Lance, Molded, 36", SST	10
8107.1282.00	Lance, Molded, 47", SST	10
8107.1283.00	Lance, Molded, 59", SST	5
8107.1284.00	Lance, Molded, 67", SST	5
8107.1285.00	Lance, Molded, 79", SST	5

LANCES - Non-Molded, Zinc



- Seamless, Zinc Plated
- 10.5 GPM
- 4000 PSI
- 300° F
- **Box Qty 50**

Part #	Description
8402.1210.00	Lance, Non-Molded 12"
8402.1211.00	Lance, Non-Molded 18"
8402.1212.00	Lance, Non-Molded 24"
8402.1213.00	Lance, Non-Molded 36"
8402.1214.00	Lance, Non-Molded 48"
8402.1216.00	Lance, Non-Molded 59"

LANCES - Non-Molded, Zinc



- 12 GPM
- 5075 PSI
- 320° F

Part#	Description	Qty
8108.1210.00	Spray Lance, Non-Molded 13" MV #0113730050	50
8108.1211.00	Spray Lance, Non-Molded 18" MV #0113770000	50
8108.1212.00	Spray Lance, Non-Molded 24" MV #0113770070	50
8108.1213.00	Spray Lance, Non-Molded 36" MV #0113770080	50
8108.1214.00	Spray Lance, Non-Molded 48" MV #471111	10
8108.1216.00	Spray Lance, Non-Molded 59" MV #471112	10

LANCES - Non-Molded, Aluminium



- 11 GPM
- 4000 PSI
- 300° F

Part#	Description
8107.1222.00	Lance, Non-Molded 24"
8107.1223.00	Lance, Non-Molded 36"
8107.1224.00	Lance, Non-Molded 48"
8107.1225.00	Lance, Non-Molded 59"
8107.1226.00	Lance, Non-Molded 79"
8107.1227.00	Lance, Non-Molded 84"
8107.1228.00	Lance, Non-Molded 96"

LANCES - Vented, Bent



- 10.5 GPM
- 4060 PSI
- 302° F Max.
- 1/4" FPT Outlet
- Nozzle Holder & Protector

Part#	Description	Qty
8107.1250.00	Lance, Vented, 28", Zinc Plated	10
8107.1251.00	Lance, Vented, 36", Zinc Plated	10
8107.1252.00	Lance, Vented, 47", Zinc Plated	10
8107.1253.00	Lance, Vented, 59", Zinc Plated	10
8107.1254.00	Lance, Vented, 67", Zinc Plated	5
8107.1255.00	Lance, Vented, 79", Zinc Plated	5
8107.1260.00	Lance, Vented, 28", SST	10
8107.1261.00	Lance, Vented, 36", SST	10
8107.1262.00	Lance, Vented, 47", SST	10
8107.1263.00	Lance, Vented, 59", SST	10
8107.1264.00	Lance, Vented, 67", SST	5
8107.1265.00	Lance, Vented, 79", SST	5

LANCES - Vented, S3 400



- 10.5 GPM
- 6400 PSI
- 320° F
- 1/4" M Inlet
- 1/4" F Outlet

Part#	Description
8116.1230.00	47" Stainless Steel

LANCES - Vented, S3 350



- 8 GPM
- 5650 PSI
- 320° F
- 1/4" MPT Inlet
- 1/4" FPT Outlet
- **Box Qty 8**

Part#	Description
8116.1200.00	41" Stainless Steel

LANCES - Vented Grip, Chrome



- **Box Qty 50**

- MV 10
- 11 GPM
- 4000 PSI
- 300° F
- 1/4" Inlet
- M22F Outlet

Part#	Description
8108.9044.00	Lance, 17", Single Seal M22 MV #0202000505
NEW 8108.7255.00	Lance LM35, Vented 15" Dble Seal MV #4039900035

LANCES - Two Piece



- Industrial Grade
- 10.5 GPM
- 4000 PSI
- 300° F Max.
- Molded Grip
- 1/4" MPT x M22F Twist Connect
- Zinc Plated Pipe M22M x 1/4" MPT

Part#	Description
8102.4100.00	36" Two Piece Lance w/Coupler

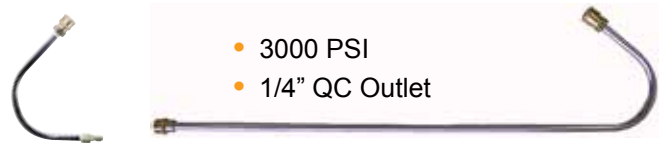
LANCES - Flex



- 10 GPM
- 2250 PSI
- 194° F

Part#	Description
8102.1900.00	Flex Lance, 18" 1/4"M x 1/4"M
8102.1901.00	Flex Lance, 18" 1/4"M x 1/8"F

LANCES - Gutter Cleaner



- 3000 PSI
- 1/4" QC Outlet

Part#	Description
8102.1653.00	Gutter Cleaner, 1/4" Plug Inlet, 7"
8102.1656.00	Gutter Cleaner, M22M Inlet, 29"

LANCES - Straight, M22



- Seamless, Chrome-Plated
- 10.5 GPM
- 4000 PSI
- 300° F Max.

Part#	Description
8102.1650.00	Lance, 18", M22M x 1/4" FPT

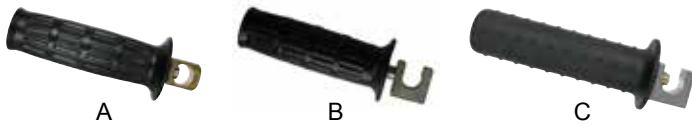
LANCES - Extensions



- 8 GPM
- 3200 PSI
- 300° F
- M22M Inlet
- Hi-Lo Outlet
- Chrome Plated Steel

Part#	Description
8108.7252.00	Lance, 16.3" w/ldro-Jet Blue Dot MV #0202000740
8108.7253.00	Lance, 23.6" w/ldro-Jet No Dot MV #0202000750

LANCES - Side Handle



Part#	Description	
8102.1248.00	Rubber Handle for 1/4" Lance	A
8402.1249.00	Rubber Handle for 1/2" Lance	A
8102.1249.00	Rubber Handle with "C" Clamp	B
8102.1247.00	Plastic Handle with "C" Clamp	C
8102.1247.01	"C" Clamp	

LANCES - Telescoping

- Heavy Duty Pole
- 8 GPM
- 4000 PSI
- 200° F

Fiberglass



Part#	Description
8102.1001.70	Wand, Yellow, 12-foot
8102.1002.70	Wand, Yellow, 18-foot
8102.1003.70	Wand, Yellow, 24-foot
8102.1003.50*	Four Section, 24-foot
8104.1050.00	Telescoping Wand Support Belt

*Saves shipping cost for two or more

Part#	Description
8102.1001.01	Gun, Screw-in, New Style
8102.1050.01	Repair Kit for New Style Gun
8102.1050.00	Gun, Glue-on, Old Style
8102.1054.00	Pole Lock, Large
8102.1001.04	Pole Lock, Small
8102.1002.30	Pole Lock, Large, Lever Lock
8102.1002.31	Pole Lock, Small, Lever Lock
8102.1001.10	Twist Connect Fitting
8102.1056.00	1/4" MNPT 8° Angled Plug

*Other Parts Available Upon Request

LANCES - Extensions



- 4000 PSI
- 300° F
- M22M In x 1/4" M Out
- Stainless Steel

Part#	Description
8108.7251.00	Lance Extension, 18.5", Stainless Steel MV #0202000700
8102.1651.00	Lance Extension, 18", Zinc Plated Steel

LANCES - Wand Saver, Fitting



- 10 GPM
- 4000 PSI
- 212° F

Part#	Description
8402.1328.00	1/4" QC x 1/4" F

NOZZLE - Adjustable TPR 50



- 8 GPM
- 3000 PSI
- 300° F
- **Box Qty 5**

Part#	Description
8108.9072.00	Nozzle, 1/4" F Inlet & Outlet MV # 0204001210

NOZZLE - Adjustable, Tip Holder



- 3625 PSI
- 302° F
- 1/4" Threading
- Pressure Adjustment for Chemical Application
- **Box Qty 25**

Part#	Description
8402.1450.00	Spray Tip Holder w/o Protector
8402.1451.00	Spray Tip Holder with Protector

NOZZLE - Adjustable, Tip Holder



- 8 GPM @ 4060 PSI
- 320° F
- 1/4" Inlet/Outlet
- **Box Qty 15**

Part#	Description
8108.7450.00	Spray Tip Holder with Protector MV #0204009800

NOZZLE - Protector PU



- **Box Qty 20**
- 16 GPM @ 5075 PSI
- 300° F
- Zinc Plated Steel Nozzle

Part#	Description
8108.8008.00	1/4" F x 1/4" F, Blue MV #4051200001

NOZZLE - Protector



- 300° F
- Box Qty 20

Part#	Description
8108.8002.00	Nozzle Protector MV #0183740020

NOZZLE - Protector



- 10.5 GPM
- 4000 PSI
- 300° F
- Box Qty 50

Part#	Description
8402.1452.00	Nozzle, 1/4" Inlet, 1/4" Outlet

NOZZLE - Protector Kit M18



- 12 GPM
- 3600 PSI
- 300° F
- 1/4" F Inlet
- Viton O-Ring
- Box Qty 10

Part#	Description
8108.9024.00	Karcher Nozzle Holder MV #0183000080

NOZZLE - Protector MV 114



- 16 GPM
- 5075 PSI
- 300° F
- Box Qty 20

Part#	Description
8108.9151.00	Nozzle, 1/4" F Inlet, 1/4" F Outlet MV #0183000020
8108.9159.00	Nozzle, 1/4" F Inlet, 1/8" F Outlet MV #0183000000

NOZZLE - Chemical & Soap



- Low Pressure
- Chemical Nozzle

Part#	Description
8113.3160.00	Nozzle 1/4" QC, 65°, #40, Brass
8102.2610.00	Nozzle 1/4" NPT 40°, #30, Brass

NOZZLES - MEG, 7250 PSI



- 0°
- 15°
- 40°
- 1/4" MPT
- Box Qty 2

Part#	Description	Orifice	Degree
8116.1038.40	Nozzle, MEG	038	40
8116.1040.00	Nozzle, MEG	040	0
8116.1040.15	Nozzle, MEG	040	15
8116.1049.40	Nozzle, MEG	049	40
8116.1050.00	Nozzle, MEG	050	0
8116.1050.15	Nozzle, MEG	050	15
8116.1055.00	Nozzle, MEG	055	0
8116.1055.15	Nozzle, MEG	055	15
8116.1055.40	Nozzle, MEG	055	40

*See Nozzle Formulas on Page 80 for Sizing

NOZZLE - QC & MEG



- 5000 PSI Max
- High Grade Stainless Steel
- 1/4" QC Plug or MEG Connector



Part#	Description
8113.1XXX.YY	Quick Disconnect Spray Nozzle
8114.1XXX.YY	MEG Spray Nozzle

*Complete Part # Using Table Below

QC Nozzle Size Chart

Orifice	0° Red	15° Yellow	25° Green	40° White
2.0	1020.00	1020.15	1020.25	1020.40
2.5	1025.00	1025.15	1025.25	1025.40
3.0	1030.00	1030.15	1030.25	1030.40
3.5	1035.00	1035.15	1035.25	1035.40
4.0	1040.00	1040.15	1040.25	1040.40
4.5	1045.00	1045.15	1045.25	1045.40
5.0	1050.00	1050.15	1050.25	1050.40
5.5	1055.00	1055.15	1055.25	1055.40
6.0	1060.00	1060.15	1060.25	1060.40
6.5	1065.00	1065.15	1065.25	1065.40
7.0	1070.00	1070.15	1070.25	1070.40
7.5	1075.00	1075.15	1075.25	1075.40
8.0	1080.00	1080.15	1080.25	1080.40
8.5	1085.00	1085.15	1085.25	1085.40
9.0	1090.00	1090.15	1090.25	1090.40
9.5	1095.00	1095.15	1095.25	1095.40
10.0	1100.00	1100.15	1100.25	1100.40

NOZZLE - QC 5 Pack



- 5000 PSI Max

Part#	Description
8113.1030.99	Nozzle Kit 030
8113.1035.99	Nozzle Kit 035
8113.1040.99	Nozzle Kit 040
8113.1045.99	Nozzle Kit 045
8113.1050.99	Nozzle Kit 050
8113.1055.99	Nozzle Kit 055
8113.1060.99	Nozzle Kit 060

*Other sizes available upon request

NOZZLES - Rotating Rotomax



- 176° F Max
- 1/4" FPT Inlet
- See Descriptions for Sizing

Part#	Description
8110.1401.00	(Red) 2.1-2.6 GPM, 1450-3500 PSI
8110.1402.00	(Blue) 2.9-4.0 GPM, 1450-3500 PSI
8110.1403.00	(Black) 4.2-5.5 GPM, 1450-3500 PSI

NOZZLES - Rotating 2500



- Economy Rotating Nozzle
- 2500 PSI
- 140° F
- 1/4" F Inlet

Part#	Description
8111.1444.00	ROTOJET 025 Orifice, Lt. Green MV #0204007900
8111.1440.00	ROTOJET 030 Orifice, Yellow MV #0204007910
8111.1441.00	ROTOJET 035 Orifice, Black MV #0204007920
8111.1442.00	ROTOJET 040 Orifice, Blue MV #0204007930
8111.1443.00	ROTOJET 045 Orifice, Dk. Green MV #0204007940

NOZZLES - Rotating



- 4000 PSI
- 212° F
- 1/4" F Inlet

Part#	Description
8402.1401.00	Nozzle, 035
8402.1402.00	Nozzle, 040
8402.1403.00	Nozzle, 045
8402.1404.00	Nozzle, 050
8402.1405.00	Nozzle, 055
8402.1406.00	Nozzle, 060

NOZZLES - Rotating UR25



- 1.6 GPM Min (03-1150 PSI)
- 7.7 GPM Max (08-3600 PSI)
- 3650 PSI
- 212° F Max.
- 1/4" F Inlet
- **Box Qty 5**

Repair kits on page 87

Part#	Description	Orifice
8116.1430.00	UR Nozzle 3650-030	030
8116.1431.00	UR Nozzle 3650-035	035
8116.1432.00	UR Nozzle 3650-040	040
8116.1433.00	UR Nozzle 3650-045	045
8116.1434.00	UR Nozzle 3650-050	050
8116.1435.00	UR Nozzle 3650-055	055
8116.1436.00	UR Nozzle 3650-060	060
8116.1437.00	UR Nozzle 3650-065	065
8116.1438.00	UR Nozzle 3650-070	070
8116.1439.00	UR Nozzle 3650-080	080

NOZZLES - Rotating, Yellow



- 3700 PSI
- 210° F
- 1/4" F Inlet
- **Box Qty 5**

Part#	Description
8108.9091.00	Nozzle, 030 MV #0204007325
8108.8470.00	Nozzle, 040 MV #0204007345
8108.8005.00	Nozzle, 070 MV #0204007405
8108.9026.00	Cover MV #0183740450

NOZZLES - Rotating TPL



- 4060 PSI
- 194° F
- 1/4" F Inlet
- **Box Qty 5**

Part#	Description
8111.1470.00	Nozzle, 1.00, 028, Lilac MV #0204009900
8111.1471.00	Nozzle, 1.10, 033, Lt Green MV #0204009910
8111.1472.00	Nozzle, 1.20, 040, Dk Green MV #0204009920
8111.1473.00*	Nozzle, 1.30, 045, (Green) Dk Yellow MV #0204009930
8111.1474.00	Nozzle, 1.40, 053, Lt Brown MV #0204009940

*Color will change-old color in parenthesis

NOZZLES - Rotating 3700 PSI



- Concentrated Straight Stream in a Conical Pattern
- 3700 PSI
- 210° F Max.
- 1/4" F Inlet
- **Box Qty 5**

Part#	Description	Orifice
8111.1429.00	ROTOJET 3700-030 MV #0204007320	030
8111.1430.00	ROTOJET 3700-035 MV #0204007330	035
8111.1431.00	ROTOJET 3700-040 MV #0204007340	040
8111.1432.00	ROTOJET 3700-045 MV #0204007350	045
8111.1433.00	ROTOJET 3700-050 MV #0204007360	050
8111.1434.00	ROTOJET 3700-055 MV #0204007370	055
8111.1435.00	ROTOJET 3700-060 MV #0204007380	060
8108.9092.00	ROTOJET 3700-065 MV #0204007390	065
8108.9093.00	ROTOJET 3700-070 MV #0204007400	070
8111.1436.00	ROTOJET 3700-080 MV #0204007420	080

ROTOJET 3600 Repair Kits



Part#	Description
8111.1429.01	ROTOJET 3700-030 Kit MV #0204107320
8111.1430.01	ROTOJET 3700-035 Kit MV #0204107330
8111.1431.01	ROTOJET 3700-040 Kit MV #0204107340
8111.1432.01	ROTOJET 3700-045 Kit MV #0204107350
8111.1433.01	ROTOJET 3700-050 Kit MV #0204107360
8111.1434.01	ROTOJET 3700-055 Kit MV #0204107370
8111.1435.01	ROTOJET 3700-060 Kit MV #0204107380
8108.9111.00	ROTOJET 3700-065 Kit MV #0204107390
8108.9112.00	ROTOJET 3700-070 Kit MV #0204107400
8111.1436.01	ROTOJET 3700-080 Kit MV #0204107420

NOZZLES - Rotating 4500 PSI



- Concentrated Straight Stream in a Conical Pattern
- 4500 PSI
- 210° F Max.
- 1/4" F Inlet
- **Box Qty 5**

Part#	Description	Orifice
8111.1456.00	ROTOJET 4500-030 MV #0204006500	030
8111.1457.00	ROTOJET 4500-035 MV #0204006505	035
8111.1450.00	ROTOJET 4500-040 MV #0204006510	040
8111.1451.00	ROTOJET 4500-045 MV #0204006515	045
8111.1452.00	ROTOJET 4500-050 MV #0204006520	050
8111.1453.00	ROTOJET 4500-055 MV #0204006525	055
8111.1454.00	ROTOJET 4500-060 MV #0204006530	060
8108.9083.00	ROTOJET 4500-065 MV #0204006535	065
8111.1455.00	ROTOJET 4500-070 MV #0204006540	070

NOZZLES - Kits 4500 PSI

ROTOJET 4500 Repair Kits



Part#	Description
8111.1456.01	ROTOJET 4500-030 Kit MV #0204106500
8111.1457.01	ROTOJET 4500-035 Kit MV #0204106505
8111.1450.01	ROTOJET 4500-040 Kit MV #0204106510
8111.1451.01	ROTOJET 4500-045 Kit MV #0204106515
8111.1452.01	ROTOJET 4500-050 Kit MV #0204106520
8111.1453.01	ROTOJET 4500-055 Kit MV #0204106525
8111.1454.01	ROTOJET 4500-060 Kit MV #0204106530
8111.1455.01	ROTOJET 4500-070 Kit MV #0204106540

NOZZLES - Soap



- Sprays up to 30'
- 1/4" QC
- See Descriptions for Sizing

Part#	Description
7001.3000.00	Nozzle, soap, long range

NOZZLES - Rotating 5800 PSI



- 5800 PSI
- 200° F Max.
- 1/4" F Inlet
- **Box Qty 5**

- Concentrated Straight Stream in a Conical Pattern

Part#	Description	Orifice
8111.1400.00	ROTOJET 5800-030 MV #0204006900	030
8111.1401.00	ROTOJET 5800-035 MV #0204006905	035
8111.1402.00	ROTOJET 5800-040 MV #0204006910	040
8111.1403.00	ROTOJET 5800-045 MV #0204006915	045
8111.1404.00	ROTOJET 5800-050 MV #0204006920	050
8111.1405.00	ROTOJET 5800-055 MV #0204006925	055
8111.1406.00	ROTOJET 5800-060 MV #0204006930	060
8108.9087.00	ROTOJET 5800-065 MV #0204006935	065
8111.1407.00	ROTOJET 5800-070 MV #0204006940	070
8108.9088.00	ROTOJET 5800-075 MV #0204006945	075
8111.1408.00	ROTOJET 5800-080 MV #0204006950	080
8111.1410.00	ROTOJET 5800-090 MV #0204006960	090
8111.1411.00	ROTOJET 5800-100 MV #0204006970	100
8111.1412.00	ROTOJET 5800-110 MV #0204006980	110
8111.1409.00	ROTOJET 5800-120 MV #0204006990	120
8108.7001.00	ROTOJET 5800-140 MV #0204007010	140
8111.1413.00	ROTOJET 5800-150 MV #0204007020	150
8108.9090.00	ROTOJET 5800-200 MV #0204007070	200

NOZZLES - Kits 5800 PSI

ROTOJET 5800 Repair Kits



Part#	Description
8111.1400.01	ROTOJET 5800-030 Kit MV #0204106900
8111.1401.01	ROTOJET 5800-035 Kit MV #0204106905
8111.1402.01	ROTOJET 5800-040 Kit MV #0204106910
8111.1403.01	ROTOJET 5800-045 Kit MV #0204106915
8111.1404.01	ROTOJET 5800-050 Kit MV #0204106920
8111.1405.01	ROTOJET 5800-055 Kit MV #0204106925
8111.1406.01	ROTOJET 5800-060 Kit MV #0204106930
8108.9107.00	ROTOJET 5800-065 Kit MV #0204106935
8111.1407.01	ROTOJET 5800-070 Kit MV #0204106940
8108.9108.00	ROTOJET 5800-075 Kit MV #0204106945
8111.1408.01	ROTOJET 5800-080 Kit MV #0204106950
8111.1410.01	ROTOJET 5800-090 Kit MV #0204106960
8111.1411.01	ROTOJET 5800-100 Kit MV #0204106970
8111.1412.01	ROTOJET 5800-110 Kit MV #0204106980
8111.1409.01	ROTOJET 5800-120 Kit MV #0204106990
8108.7001.01	ROTOJET 5800-140 Kit MV #0204107010
8111.1413.01	ROTOJET 5800-150 Kit MV #0204107020
8108.9109.00	ROTOJET 5800-200 Kit MV #0204107070

NOZZLES - Rotating UR32



- 2.4 GPM Min (03-2600 PSI)
- 9.0 GPM Max (08-5100 PSI)
- 5100 PSI
- 212° F Max.
- 1/4" F Inlet
- **Box Qty 5**

Part#	Description	Orifice
8116.1450.00	UR Nozzle 5100-030	030
8116.1451.00	UR Nozzle 5100-035	035
8116.1452.00	UR Nozzle 5100-040	040
8116.1453.00	UR Nozzle 5100-045	045
8116.1454.00	UR Nozzle 5100-050	050
8116.1455.00	UR Nozzle 5100-055	055
8116.1456.00	UR Nozzle 5100-060	060
8116.1457.00	UR Nozzle 5100-065	065
8116.1458.00	UR Nozzle 5100-070	070
8116.1459.00	UR Nozzle 5100-080	080

UR Nozzle Repair Kits

Part#	Description	Orifice
8116.1430.01	UR Nozzle Repair Kit	030
8116.1431.01	UR Nozzle Repair Kit	035
8116.1432.01	UR Nozzle Repair Kit	040
8116.1433.01	UR Nozzle Repair Kit	045
8116.1434.01	UR Nozzle Repair Kit	050
8116.1435.01	UR Nozzle Repair Kit	055
8116.1436.01	UR Nozzle Repair Kit	060
8116.1437.01	UR Nozzle Repair Kit	065
8116.1438.01	UR Nozzle Repair Kit	070
8116.1439.01	UR Nozzle Repair Kit	080

NOZZLES - Rotating



- 7250 PSI
- 210° F Max.
- 1/4" F Inlet

Part#	Description
8108.8460.00	Nozzle, 030 MV #0204006800
8108.8460.01	Repair Kit, Nozzle, 030 MV #4059900000
8108.9084.00	Nozzle, 050 MV #0204006820
8108.9084.01	Repair Kit, Nozzle, 050 MV #4059900004
8108.9085.00	Nozzle, 070 MV #0204006840
8108.9085.01	Repair Kit, Nozzle, 070 MV #4059900008
8108.9086.00	Nozzle, 080 MV #0204006850
8108.9086.01	Repair Kit, Nozzle, 080 MV #4059900010

*See Sizing Chart Page 88

NOZZLES - Idro-Jet 2 Vari HI/Lo



- Twist Spray Angle Adjustment
- Push/Pull Pressure Adjustment

- Orifices change .00 to .01
- Dots change .00 to .02

- 8 GPM
- 3200 PSI
- 300° F Max.
- **Box Qty 10**

Part#	Description
8108.1419.00	Nozzle Replacement Body MV #0204200040
8108.1420.00	030 Orifice, Yellow Dot MV #0204008000
8108.1421.00	035 Orifice, White Dot MV #0204008010
8108.1422.00	037 Orifice, Red Dot MV #0204008020
8108.1423.00	040 Orifice, Blue Dot MV #0204008030
8108.1424.00	042 Orifice, Brown Dot MV #0204008040
8108.1425.00	045 Orifice, Orange Dot MV #0204008050
8108.1426.00	050 Orifice, Green Dot MV #0204008060
8108.1427.00	055 Orifice, Lt. Blue Dot MV #0204008070
8108.1428.00	058 Orifice, Black Dot MV #0204008080
8108.1429.00	060 Orifice, Gray Dot MV #0204008090
8108.1430.00	065 Orifice, Dk. Green Dot MV #0204008100

REPLACEMENTS - Idro-Jet 2

Part#	Description
8108.14XX.01	Orifice for HiLo Nozzles
8108.14XX.02	Dots for HiLo Nozzles

NOZZLES - Idro-Jet Vari HI/Lo



- 3000 PSI
- 300° F
- Finger Protection

Part#	Description
8108.9067.00	Nozzle, 030, Yellow, 1.05 Orifice MV #0204001005
8108.9069.00	Nozzle, 040, Blue, 1.20 Orifice MV #0204001020
8108.9071.00	Nozzle, 050, Green, 1.35 Orifice MV #0204001035

NOZZLES - Sewer



- 300° F
- Stainless Steel
- Forward Blast to Clear Debris
- Backward Blast to Flush

Part#	Description
8108.3009.00	1/4 FPT, 5000 PSI, Size #4.0 MV #0124722240
8402.3010.00	1/4 FPT, 4000 PSI, Size #4.5
8402.3011.00	1/4 FPT, 4000 PSI, Size #6.5
8402.3012.00	1/4 FPT, 4000 PSI, Size #11
8108.3109.00	1/8 FPT, 5000 PSI, Size #4.0 MV #0124722200
8402.3110.00	1/8 FPT, 4000 PSI, Size #4.5
8402.3111.00	1/8 FPT, 4000 PSI, Size #6.5
8402.3112.00	1/8 FPT, 4000 PSI, Size #11

NOZZLES - Sewer ST4



- 5100 PSI
- Stainless Steel 303
- 3/8" F
- 4 Ports
- **Box Qty 3**

Part#	Description
8116.3000.00	Nozzle Size 03
8116.3001.00	Nozzle Size 04
8116.3002.00	Nozzle Size 05
8116.3003.00	Nozzle Size 06
8116.3004.00	Nozzle Size 07
8116.3005.00	Nozzle Size 08

OIL - Comet Pumps

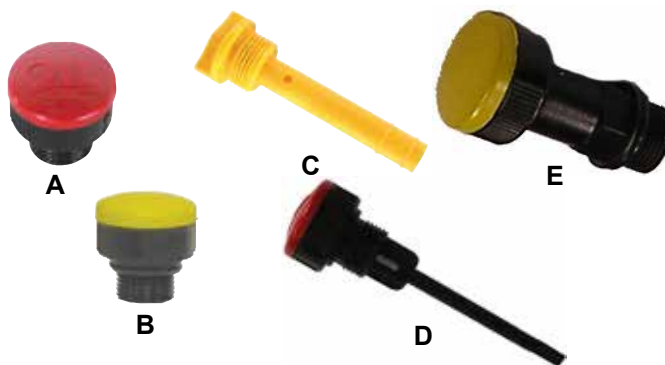


- Specially Formulated for use in all High-Pressure Industrial Piston Pumps
- Universal Tractor Transmission Oil (UTTO)
- 30 Wt. Non-Detergent & Non-Foaming

Part#	Description
8102.1801.00	Pump Oil, 32 oz. Bottle

Comet Industrial Pump Oil is a special formulated non-detergent, non-foaming oil, which is AW100 rated for superior oxidation protection. Comet recommends changing pump oil after the initial 50 hours of operation and every 300 hours thereafter.

OIL CAPS & DIPSTICKS - For Pumps



Part#	Description	
3200.0071.00	Oil Cap, AX	A
3200.0086.00	Oil Cap, BX	B
3200.0051.00	Dipstick, LW, ZW, FW, HW, RW	C
3200.0075.00	Dipstick, SW & TW	D
3200.0138.00	Oil Cap, Vented, Long, BXD	E

PACKING EXTRACTOR



- For Comet™ Pumps
- Slide Hammer

Part#	Description
0899.0004.00	Extractor Tool, 15 & 18mm
0899.0005.00	Extractor Tool, 20, 22 & 25mm
0899.0006.00	Extractor Hammer
0899.0007.00	Extractor Kit

PACKING INSERTION



- Increase Efficiency in Pump Repair
- Industrial Grade Materials

Part#	Description
3335.0023.00	Packing Kit LW, ZW, FW & HW

PULSATION DAMPENERS



- 3045 PSI
- 580 PSI Precharge
- 176° F Max.

Part#	Description
8107.3200.00	Accumulator, .02 Gal., 3/8" FPT Flow 0-6.6 GPM
8107.3201.00	Accumulator, .09 Gal., 1/2" FPT Flow 6.6-18.5 GPM
8107.3202.00	Accumulator, .09 Gal., 3/8" FPT Flow 6.6-18.5 GPM

PUMP RAIL KITS



Part#	Description	Ht
5011.0184.00	Rail Kit for LW	1-3/8"
5011.0216.00	Tall Rail Kit for LW	2-1/2"
5011.0185.00	Rail Kit for FW & HW	1"
5011.0229.00	Rail Kit for RW	1-3/8"
5011.0214.00	Rail Kit for SW & TW	1-3/8"
5011.0257.00	Tall Rail Kit for RW	2-1/2"
5011.0278.00	Tall Rail Kit for SW & TW	2-1/2"

SAND BLASTER - Wet, Industrial



- 10 GPM Maximum
- 3 GPM Minimum
- Up to 3500 PSI use 15° tip
- 3500-5500 PSI use 0° tip
- 1500 PSI Minimum Working Pressure

*Other replacement parts available upon request

Part#	Description
8103.1901.00	Wet Sand Blast Kit, Complete
8103.1903.00	Tungsten Carbide Nozzle
8103.1913.00	Tip Adapter

SAND BLASTER - Commercial



- 11 GPM
- 3600 PSI
- 200°

*Other replacement parts available upon request

Part#	Description
8108.1901.00	TS33-1.4 Head Assy 1.4 mm MV #0204005020
8108.1903.00	TS33-1.6 Head Assy 1.6 mm MV #0204005040
8108.1905.00	Sand Blast Suction Tube MV #0213000000
8108.1902.02	Pressure Nozzle, 1.5 mm MV #0124720330
8108.1902.01	Alignment Nozzle, 1.5 mm MV #0124710270

SLUDGE PUMPS



- 4.8 GPM
- 3700 PSI
- 300° F Max.
- 20' Hose; 35mm ID

Part#	Description
8000.4000.35	Sludge Pump, 035 Nozzle MV #0213000500
8000.4000.40	Sludge Pump, 040 Nozzle
8000.4000.45	Sludge Pump, 045 Nozzle MV #0213000510
8000.4000.50	Sludge Pump, 050 Nozzle MV #0213000520
8000.4000.55	Sludge Pump, 055 Nozzle MV #0213000530

Part#	Description
Sludge Pumps Without Hose	
8108.7019.00	Sludge Pump, 035 w/o Hose MV #0213000600
8108.9132.00	Sludge Pump, 045 w/o Hose MV #0213000610
8108.7020.00	Sludge Pump, 050 w/o Hose MV #0213000620
8108.9133.00	Sludge Pump, 055 w/o Hose MV #0213000630
8108.7021.00	Sludge Pump, 060 w/o Hose MV #0213000640
8000.4000.90	Clamp
8000.4000.95*	Hose, Sludge Pump

*Can be ordered to specific length up to 100'

SURFACE CLEANER - 14"

NEW



- 8 GPM
- 4000 PSI Max
- 180° F
- Under 2500 PSI Opimal

Part#	Description
8102.2409.00	Surface Cleaner, 14"

SURFACE CLEANER - Whirl-A-Way



- 8 GPM Max.
- 4000 PSI Max.
- 180° F
- UV Resistant Dome
- Rebuildable Swivel
- Industrial Duty

Part#	Description
8102.2401.00	Surface Cleaner, 16" Dia., w/Brush

Replacement Parts

8102.2454.00	16 Rotary Head
8102.2470.01	Trigger Gun 16
8102.2462.00	16 Skirt, Nylon
8102.2450.00	16 Rotary Head Mounting Bracket
8102.2461.00	Replacement Hose

*For additional parts contact Comet

SURFACE CLEANER - 3000 PSI



- 4 GPM
- 3000 PSI
- 140° F
- M22M Inlet
- 035 Nozzle

Part#	Description
8108.8012.00	Surface Cleaner, w/Wheels MV #0207002013
8108.8012.01	Nozzle, Surface Cleaner 15015 MV #0124720842
8108.8010.00	Surface Cleaner, No Wheels MV #0207000013
8108.9006.00	Spray Bar, Surface Cleaner 045 MV #0109000340
8108.8014.00	Wheel Replacement Kit MV #0207102010
8108.8013.00	Wheel Conversion Kit MV #0207102000
8108.9008.00	Brush for 8108.8012.00 MV #0109740160
8108.9007.00	Brush for 8108.8010.00 MV #0109740090

SWITCHES - Pressure PS60



Box Qty 5

Stainless Steel
AISI 303

- 9575 PSI
- 195° F Max Fluid
- 167° F Max Environment
- 12v - 250v, 16 (6) Amp
- Cable Length 47.24"
- 3/8" Connection

Part#	Description
8108.2214.00	Activation PSI 362.5 MV #4090003000
8108.2215.00	Activation PSI 652.5 MV #4090003001

SWITCHES - Pressure PS6



Box Qty 20

- 3-Wire Design, 47" Cable
- 4060 PSI
- 195° F Max Fluid
- 167° F Max Environment
- 12v - 250v, 16 (6) Amp
- 218, 363 & 652 PSI Activation Switching Pressure

Part#	Description
8108.2203.00	Switch, 218 PSI, 1/4" M, Blue MV #0205007000
8108.2204.00	Switch, 218 PSI, 3/8" M, Blue MV #4090002001
8108.2205.00	Switch, 363 PSI, 1/4" M, Red MV #0205007010
8108.2206.00	Switch, 363 PSI, 3/8" M, Red MV #0205007030
8108.2207.00	Switch, 652 PSI, 1/4" M, Black MV #0205007020
8108.2208.00	Switch, 652 PSI, 3/8" M, Black MV #0205007040

SWITCHES - Pressure PR16



Box Qty 20

- 4050 PSI
- 165° F
- 12v - 250v, 16 Amp
- 580 PSI Switching Pressure
- 47" Cable

Part#	Description
8116.2203.00	Switch, 3/8" M Inlet, Black

SWITCHES - Flow, MV 70



Box Qty 20

- 8 GPM, 8122 PSI
- 176° F Max Fluid
- 167° F Max Environment
- 12v - 250v, 3 Amp, 120 VA
- 3/8" F In/Outlet, 62" Cable

Part#	Description
8108.2213.00	Flow Switch, Horizontal MV #4090200000

SWITCHES - Flow, MV 60 P140



Box Qty 20

- 8 GPM, 5660 PSI
- 176° F Max Fluid
- 167° F Max Environment
- 12v - 250v, 3 Amp, 120 VA
- 3/8" F In/Outlet, 62" Cable

Part#	Description	Min Flow Activation
8108.2211.00	Flow Switch, Horizontal - Vertical MV #4090200002	1.6GPM - 2.4GPM
8108.2210.00	Flow Switch, Vertical MV #4090200001	1.0GPM
8108.2209.00	Replacement Reed Switch MV #0199700000	

SWITCHES - Flow FL 7 SS



- 8 GPM @ 8120 PSI
- 165° F Max Fluid
- 230v, 3 Amp
- 3/8" F in/out, 49" Cable
- Stainless Steel 303

Part#	Description
8116.2213.00	Flow Switch

SWITCHES - Flow FL 7



- 7.9 GPM @ 5650 PSI
- 165° F Max Fluid
- 230v, 3 Amp
- 3/8" F in/out, 49" Cable

Part#	Description	GPM Std	GPM Lvl
8116.2210.00	Flow Switch	2.4	1.6
8116.2211.00	Flow Switch	1.06	.79

SWITCHES - Flow FL 7 MS



- 7.9 GPM @ 5650 PSI
- 165° F Max Fluid
- 230v, 3 Amp
- 3/8" F in/out, 49" Cable

Part#	Description	GPM Std
8116.2212.00	Flow Switch, vertical	0.1

SWITCHES - Vacuum



- 176° F Max Fluid
 - 131° F Max Environment
 - 1/4" FNPT Connection
 - 230v, 16 Amp
- Box Qty 10**

***For Water use Only**

Part#	Description	Size
8107.2211.00	Vacuum Switch	1.5 MV #0205005510
8107.2212.00	Vacuum Switch	2.0 MV #4090400000
8107.2213.00	Vacuum Switch	2.5 MV #0205005530
8107.2216.00	Vacuum Switch	4.0 MV #0205005550
8107.2217.00	Vacuum Switch	4.5 MV #0205005570

SWIVEL - High Pressure, MR-I



Box Qty 10

- 10.5 GPM Max.
- 5650 PSI Max.
- 320° F Max, Rated (For Short Periods)
- 194° F Max, Working Temp (Continuous Use)
- 3/8" MNPT x 3/8" FNPT

Part#	Description
8116.3503.00	Swivel, Straight, SST AISI 303

SWIVEL - High Pressure



Box Qty 20

- 10.5 GPM Max.
- 4100 PSI
- 300° F Max
- 3/8" F x 3/8" M

Part#	Description
8402.3501.00	Swivel, High Pressure, Brass

SWIVEL - High Pressure (SW-600)



Stainless Steel 303 & 400

- 15.8 GPM @ 9570 PSI
- 212° F Max, Rated (For Short Periods)
- 194° F Max, Working Temp (Continuous Use)
- 3/8" F x 3/8" M

Part#	Description
8116.3505.00	High Pressure, Stainless Steel

SWIVEL - SW Pro



- 8 GPM • 3650 PSI • 302° F • Brass • **Box Qty 10**
- ***Turns Easily Under Pressure*****

Part#	Description
8108.8350.00	Swivel, Brass, 3/8" F x 3/8" M MV #4100801004
8108.8351.00	Swivel, Brass, 3/8" M x 3/8" M MV #4100801005
8108.8352.00	Swivel, Brass, 3/8" M x 1/4" M MV #4100801006
8108.8353.00	Swivel, Brass, M22-1.5 x 3/8" M MV #4100801007

SWIVEL - High Pressure MR-O



Box Qty 10

- 10.5 GPM @ 4050 PSI
- 320° F Max, Rated (For Short Periods)
- 194° F Max, Working Temp (Continuous Use)
- 3/8" M 60° Taper x 3/8" F

Part#	Description
8116.3501.00	Swivel, Straight, Brass

SWIVEL - SW ECO



- 11 GPM
- 3200 PSI
- 300° F

Part#	Description
8108.9126.00	Coupler, 3/8" MPT x 3/8" FPT MV #0212006010

SWIVEL - Nozzle



- 1500 PSI
- Brass
- **Box Qty 100**

Part#	Description
8102.6015.00	Swivel, Nozzle

SWIVEL - SW Std



- 8 GPM @ 4500 PSI
- 302° F Max
- Brass
- **Box Qty 10**

Part#	Description
8108.8354.00	Swivel, 3/8" MPT x 3/8" FPT MV #371703

TAPE - Teflon



- Better Sealing of Threaded Connections
- High Quality
- 1/2" Rolls
- 520" Length
- **Box Quantity 12**

Part#	Description
8102.2900.00	Teflon Tape, Roll

TERMINATOR - Thermo Engine



- 4000 PSI
- For DC Current Only
- Shuts Engine Down When Pump Hits 145° F

Part#	Description
8104.0001.00	Thermo Engine Terminator

THERMOSTAT



- 1/2" BSP Probe
- 4000 PSI
- 250v
- 15 Amp
- Remote Probe Design
- Precision Temperature Control
- 70" Insulated Cap Tube

Part#	Description
3230.0037.00	194 Degree, 194° F
3230.0036.00	250 Degree, 250° F
3230.0035.00	302 Degree, 302° F
8107.2320.00	Well 1/2" F Top, 3/8" x 3
8107.2307.00	Probe Sheath
2000.0125.00	Bushing, Brass 1/2" NPT

THREAD LOCK

NEW



- Replacement for Loctite
- 250 ML
- **Box Qty 10**

Part#	Description
8107.3600.00	Thread Lock, Medium
8107.3601.00	Thread Lock, Strong

THROTTLE CONTROL



- 3/8" Conical Connection
- 320° F Max.
- Adj. stroke .28-.55"
- 40" Cable
- Actuation Pressure 290 PSI

Part#	Description
8108.7100.00	Throttle Control, 5800 PSI 4132400001
8108.7101.00	Throttle Control, 8000 PSI, SST 4132400002

UNLOADER - VHP 60

NEW



- 26.4 GPM
- 8700 PSI
- 194° F Max
- 1/2" F In/Outlet/By-Pass
- SST AISI 303 Body

Part#	Description
8108.2569.00	Unloader, No Knob MV #4072000103
8108.2569.01	Repair Kit MV #4079900040

UNLOADER - VB 60/600 Zero



- 2.4 GPM Min
- 16 GPM Max
- 8700 PSI
- 195° F
- 1/2" F In/Outlet & By-Pass

Part#	Description
8116.2524.00	Unloader, Stainless Steel 303
8116.2524.01	Repair Kit VB60/600 Zero

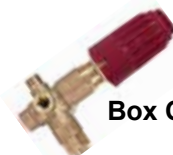
UNLOADER - VB80/150-280-400



- 21 GPM
- 195° F Max
- 1/2" FPT Inlet/Outlet
- 1/2" FPT By-Pass
- Stainless Steel

Part#	Rated PSI	Max PSI	Color
8116.2523.00	2200	2450	White
8116.2549.00	4050	4500	Blue
8116.2505.00	5800	6500	Black
8116.2505.01	Repair Kit		
8116.2505.02	O-Ring Kit, Viton		

UNLOADER - VB 350


Box Qty 5

- 10.5 GPM
- 5650 Max PSI
- 3/8" M Inlet, 3/8" F Outlet
- 1/2" F By-Pass
- 195° F Max.

Part#	Description
8116.2501.00	Unloader
8116.2517.01	Repair Kit

UNLOADER - VHP 39



Box Qty 5

- 10.5 GPM
- 5070 PSI Rated
- 5650 PSI Max
- 194° F Max
- 3/8" FPT In/Outlet
- 3/8" FPT By-Pass x 2

Part#	Description	Color
8108.2546.00	Unloader MV #4072000012	Black
8108.2547.00	Unloader w/EZ Start MV #4072000013	Black
8108.2546.01	Repair Kit MV #4079900009	

UNLOADER - VHP 39-P



Box Qty 5

- 10.5 GPM
- 5650 PSI
- 194° F Max
- 3/8" F In/Outlet
- 3/8" F By-Pass x 2

Part#	Description	Color
8108.2588.00	Unloader MV #4072000084	Black
8108.2588.01	Repair Kit MV #4079900038	

UNLOADER - VHP 50



- 26.4 GPM
- 8000 PSI
- 194° F Max
- 1/2" F In/Outlet & By-Pass
- Nickel Plated Brass

Part#	Description
8108.2587.00	Unloader, no knob MV #4072000091
8108.2587.02	Repair Kit MV #4079900040

UNLOADER - VHP 70



- 21 GPM
- 194° F Max
- 1/2" FPT In/Outlet & By-Pass
- Stainless Steel
- 1/4" FPT Gauge Port

Part#	Description	Color
8108.2585.00	6380 PSI, No Knob MV #4072201004	Blue
8108.2584.00	10,150 PSI, No Knob MV #4072201003	Black
8108.2584.01	Repair Kit MV #407900030	

UNLOADER - VRT 100



- 26.4 GPM
- 194° F Max
- 1/2" FPT In/Outlet & By-Pass

Part#	Description	Color
8108.2564.00	Unloader, 2760 PSI MV #4072000035	Yellow
8108.2565.00	Unloader, 5075PSI MV #4072000036	Blue
8108.2566.00 ¹	Unloader, 5075 PSI MV #4078000020	Green
8108.2567.00 ²	Unloader, 5075 PSI MV #4078000021	Green
8108.2565.01	Repair Kit MV #4079900013	

1-Dual By-Pass
2-Dual By-Pass With Knob

UNLOADER - VRT 100-P

NEW



- 26.4 GPM
- 5075 PSI
- 194° F Max
- 1/2" F In/Outlet & By-Pass
- Microswitch 250v, 6(2)a

Part#	Description
8108.8503.00	Unloader MV #4072000090
8108.8503.01	Repair Kit MV #4079900039

UNLOADER - VHP 31/250 No Knob

NEW



- 66 GPM
- 194° F Max
- 1" FPT In/Outlet & By-Pass

Part#	Description	Color
8108.7632.00	Unloader, 2465 PSI MV #4072000094	Gray
8108.7633.00	Unloader, 4500 PSI MV #4072000095	Blk/Gry
8108.7632.01	Repair Kit MV #4079900051	

UNLOADER - VRT 100 No Knob



- 26.4 GPM
- 194° F Max
- 1/2" F In/Outlet & By-Pass
- Nickel Plated Steel

Part#	Description	Color
8108.2586.00	2760 PSI, no knob MV #4072000074	Yellow
8108.2586.01	Repair Kit MV #4079900031	

UNLOADER - VB 33



- 21 GPM
- 4500 PSI Max
- 195° F
- 1/2" FPT In/Out/By-Pass
- 1/4" FPT Gauge Port
- **Box Qty 4**

Part#	Description
8116.2527.00	Unloader VB 33
8116.2527.01	Repair Kit, VB 33

UNLOADER - Pulsar 4



- 10 GPM
- 195° F Max
- 3/8" FPT In/Outlet & By-Pass

Part#	Description	Color
8116.2536.00	Unloader, 2600 PSI	White
8116.2535.00	Unloader, 4500 PSI	Blue
8116.2535.01	Repair Kit Pulsar 4	

UNLOADER - Pulsar RV



- 10 GPM
- 195° F Max
- 3/8" FPT x 2 In/Outlet & By-Pass x 2
- **Box Qty 15**

Part#	Description	Color
8116.2556.00	Unloader, 2600 PSI	White B
8116.2539.00	Unloader, 4500 PSI	Blue A

UNLOADER - Pulsar 4 No Knob



- 10 GPM
- 195° F Max
- 3/8" FPT In/Outlet & By-Pass
- **Box Qty 25**

Part#	Description	Color
8116.2546.00	Unloader, 4500 PSI	Blue
8116.2535.01	Repair Kit	

UNLOADER - Pulsar RV EZ Start



- 10.5 GPM
- 4500 PSI Max
- 195° F Max
- 3/8" F In/Outlet & By-Pass
- **Box Qty 15**

Part#	Description
8116.2540.00	Unloader with EZ Start
8116.2540.01	Repair Kit

UNLOADER - VB 280



- 10.5 GPM
- 4500 PSI Max
- 3/8" M Inlet, 3/8" F Outlet
- 1/2" F By-Pass
- 195° F Max
- **Box Qty 5**

Part#	Description
8116.2517.00	Unloader
8116.2517.01	Repair Kit

UNLOADER - Pulsar 280



- 8.0 GPM
- 4500 Max PSI
- 195° F Max
- 3/8" FPT In/Outlet
- 3/8" FPT By-Pass x 2
- **Box Qty 15**

Part#	Description
8116.2510.00	Unloader, w/EZ Start
8116.2509.01	Repair Kit, Pulsar 280

UNLOADER - VRT 3 Multi-Function



- 10.5 GPM
- 4500 PSI Max
- 194° F Max
- Thermal Relief Valve
- EZ Start
- **Box Qty 10**

Part#	Inlet	Outlet	By-Pass
8108.2539.00 ¹	3/8" FPT	3/8" MPT	3/8" FPT MV #4072000019
8108.2540.00 ²	3/8" FPT	3/8" FPT	3/8" FPT MV #4072000020
8108.2538.00 ³	3/8" MPT	3/8" MPT	3/8" FPT MV #4078000003
8108.2568.00 ⁴	3/8" FPT	3/8" MPT	3/8" FPT MV #4072000085

- 1-Includes Relief Valve & Adj. Injector 2.1
- 2-Includes Relief Valve
- 3-Includes Adj. Injector 2.1
- 4-Includes Adj. Injector 2.3 & Relief Valve

UNLOADER - Pulsar Zero



- 2.4 GPM Min to 10.5 GPM Max
- 4050 PSI
- 195° F
- 3/8" FPT In/Outlet; By-Pass x 2
- **Box Qty 12**

Part#	Description
8116.2521.00	Reduced Trapped Pressure
8116.2521.01	Repair Kit

UNLOADER - VB 80/280 Zero



- 5.3 GPM Min
- 21 GPM Max
- 4050 PSI
- 195° F
- 1/2" F In/Outlet
- 1/2" F By-Pass
- **Box Qty 4**

Part#	Description
8116.2526.00	Reduced Trapped Pressure
8116.2526.03	Repair Kit VB 80/280 Zero
8116.2526.01	Disc 045, 4.5mm
8116.2526.02	Disc 055, 5.5mm

UNLOADER - VRT 3



- 10.5 GPM
- 194° F Max GPM
- 3/8" FPT Inlet x 2 (where noted)
- 3/8" FPT Outlet
- 3/8" FPT By-Pass x 2



Part#	PSI	Color	Box Qty
8108.2530.00	2320	Yellow	15
	MV #0215010300		
NEW 8108.2530.01	Repair Kit MV #4079900004 10		
8108.2533.00 ¹	2320	Yellow	20
	MV #0215010330		
NEW 8108.2530.01	Repair Kit MV #4079900004 10		
8108.2537.00 ⁴	2320	Yellow	15
	MV #0215010360		
NEW 8108.2530.01	Repair Kit MV #4079900004 10		
NEW 8108.8504.00 ³	2320	Yellow	15
	MV #0215010550		
NEW 8108.8504.01	Repair Kit MV #4079900006 10		
8108.2531.00	3630	Blue	15
	MV #0215010310		
NEW 8108.2530.01	Repair Kit MV #4079900004 10		
8108.2534.00 ¹	3630	Blue	20
	MV #0215010340		
NEW 8108.2530.01	Repair Kit MV #4079900004 10		
NEW 8108.8505.00 ³	3630	Blue	15
	MV #0215010560		
NEW 8108.8504.01	Repair Kit MV #4079900006 10		
8108.2532.00	4500	Black	15
	MV #0215010320		
NEW 8108.2532.01	Repair Kit MV #4079900005 10		
8108.2535.00 ¹	4500	Black	20
	MV #0215010350		
NEW 8108.2532.01	Repair Kit MV #4079900005 10		
8108.2542.00 ²	4500	Black	15
	MV #4072000002		
NEW 8108.2532.01	Repair Kit MV #4079900005 10		
8108.2536.00 ³	4500	Black	15
	MV #4072000009		
NEW 8108.2552.01	Repair Kit MV #4079900007 10		
8108.2552.00 ⁵	4500	Black	15
	MV #4078000019		
NEW 8108.2552.01	Repair Kit MV #4079900007 10		
8108.2530.02	Knob		
	MV #400305		
8108.2530.03	Cap, Yellow		
	MV #0128740070		
8108.2532.03	Cap, Black		
	MV #4079900005		

1-No Knob; 2-Includes EZ Start; One Inlet
 3-Includes Microswitch 250V/16A; One Inlet
 4-1/4" Gauge Port; 5-Panel Mount with PS6 Switch 250v/16a; One Inlet

UNLOADER - VB 55



- 8.0 GPM
- 3200 Rated PSI
- 3650 Max PSI
- 195° F Max
- Banjo Connection
- **Box Qty 20**

*Used on RW Pumps

Part#	Couplings	Outlet
8116.2520.00	3/8" x 1/2"	3/8" F
8116.2520.01	Repair Kit, VB-55	

UNLOADER - VB 56



- 8 GPM
- 3650 PSI
- 3/8" x 1/2" Couplings
- 195° F
- 1/2" FPT
- 3/8" FPT Outlet
- **Box Qty 20**

Part#	Description
8116.2542.00	Unloader
8116.2542.01	Repair Kit

UNLOADER - VB 75



- 8 GPM
- 3200 Rated PSI
- 3650 Max PSI
- 195° F Max
- Banjo Connection
- **Box Qty 20**

Part#	Couplings	Outlet
8116.2516.00	3/8" x 1/2"	3/8" F
8116.2516.01	Repair Kit, VB 75	

UNLOADER - VRF 2



- 8 GPM
- 194° F Max
- 3/8" M In/Outlet
- **Box Qty 20**



Banjo Kit

Part#	Description	Color
8108.2591.00	Unloader, 3630 PSI MV #4072401007	Red
8108.2590.00	Fixed Injector 2.1, 3630 PSI MV #4072601021	Red
8108.2594.00	Adj. Injector 2.1, 3630 PSI MV #4072601022	Red
8108.2593.00	Unloader, 4500 PSI MV #4072401013	Blue
8108.2592.00	Fixed Injector 2.1, 4500 PSI MV #4072601031	Blue
8108.2595.00	Adj. Injector 2.1, 4500 PSI MV #4072601032	Blue
8108.2591.01	Repair Kit MV #4079900019	

Banjo Inlet Connections

Part#	X-Offset	Y-Offset	In/Outlet
8108.2574.00	0.0 mm	55/66 mm	3/8"-1/2" MV #0215200502
8108.2577.00	Modified w/Thermal Port For Comet BW, LW, AW & ZW Series Pumps MV #0215200500		
8108.9158.00	5.0 mm	53/66 mm	3/8"-1/2" For Comet FW2 Series Pumps MV #0215200510
8108.2573.00	0.0 mm	63 mm	3/8" For Comet LW Misting Pumps MV #0215200504
8108.2576.00	19 mm	62/75 mm	3/8"
8108.2578.00	Modified w/Thermal Port For Comet RW Pumps MV #4073900000		

UNLOADER - VRT 3

NEW



- 10.5 GPM
- 194° F Max
- 3/8" F Inlet & Outlet
- SST AISI 303

Part#	PSI	Color	Box Qty
8108.8502.00	3630 MV #4072000107	Blue	15
8108.8506.00	2320 MV 4072000108	Yellow	15
8108.8502.01	Repair Kit MV #4079900054		5

UNLOADER - VRS 3



- 8 GPM
- 3200 Rated PSI
- 3630 Max PSI
- 194° F Max
- 3/8" F In/Outlet & By-Pass

Part#	Description	Color	Box Qty
8108.2548.00	Unloader, No Knob MV #4072000021	Blue	20
8108.2549.00	Unloader MV #4072000018	Blue	20
8108.2530.01	Repair Kit MV #4079900004		10

UNLOADER - VRC 25



Compensated

- 8 GPM
- 3630 PSI
- 194° F Max GPM
- Inlet/Outlet 3/8" FPT
- By-Pass 3/8" FPT



Part#	Description	Box Qty
8108.2580.00 ¹	Unloader, Panel Mount MV #0215010510	15
8108.2581.00 ¹	Unloader, No Knob MV #0215010520	20
8108.2580.01	Repair Kit, Unloader MV #4079900011	10
8108.2582.00	Unloader, w/Switch, Panel Mt MV #0215010530	15
8108.2583.00	Unloader, w/Switch, No Knob MV #0215010540	15
8108.2582.01	Repair Kit, Unloader w/Switch MV #4079900010	10

¹ Gauge Port 1/4" FPT

UNLOADER - VR 56



- 8 GPM
- 3625 PSI
- 194° F
- 3/8" MPT In/Outlet
- 3/8" FPT By-Pass
- 1/4" FPT Gauge Port

Part#	Description	Box Qty
8108.2551.00	Unloader MV #4072000030	20
8108.2591.01	Repair Kit MV #4079900019	10

UNLOADER - VB 85/150 & 310



- 21 GPM
- 195° F Max
- 1/2" F In/Outlet & By-Pass
- **Box Qty 4**

Part#	Description	Color
8116.2533.00	Unloader, VB 85/180, 2600 PSI	White
8116.2534.00	Unloader, VB 85/310, 4500 PSI	Blue
8116.2533.01	Repair Kit	

UNLOADER - VB-200/150



- 53 GPM
- 2450 PSI
- 195° F
- 1" FPT Inlet/Outlet
- 1" FPT By-Pass

Part#	Description
8116.2502.00	Unloader
8116.2502.01	Repair Kit

UNLOADER - VR 54



- 8 GPM
- 194° F Max
- 3/8" M In/Outlet
- 3/8" F By-Pass

Part#	Description	Color
8108.2541.00*	Unloader, 2175 PSI MV #4072000056	Black
8108.2543.00	Unloader, 2900 PSI MV #4072000041	Red
8108.2544.00	Unloader, 2175 PSI MV #4072000051	Black
8108.2544.01	Repair Kit MV #4079900020	

*With Locking Nut

UNLOADER - Flow Actuated K7



- 165° F Max Temp
- 0-3000 PSI
- Eliminates Trapped Pressure Between Pump & Gun

Part#	GPM	Inlet	Outlet
1215.0373.00	2.9 - 4.2	3/8" F	3/8" M
1215.0374.00	4.2 - 6.6	3/8" F	3/8" M

UNLOADER - Mounting Block



- 4000 PSI Max
- 2 - 3/8" FPT Ports
- Solid Machined Part
- 5/16" x 18 Mounting Holes
- For Remote Mounting of Unloader Valves

Part#	Description
8102.0551.00	Mounting Block, Aluminum
8102.0552.00	Mounting Block, Zinc Plated

VALVES - Ball, Shut-Off



- 7400 PSI Industrial Duty
- Chrome Plated Steel Ball
- Zinc Plated Steel Body
- 212°F

Part#	Description	GPM
8109.2601.00	1/4" FPT x 1/4" F	2.64
8109.2602.00	3/8" FPT x 3/8" F	6.60
8109.2603.00	1/2" FPT x 1/2" F	10.57

VALVES - Ball, Shut-Off



- Chrome Plated Steel Ball
- Zinc Plated Steel Body
- 212°F

Part#	Description	GPM	PSI
8402.2601.00	1/4" FPT x 1/4" F	1.79	7250
8402.2602.00	3/8" FPT x 3/8" F	4.97	7250
8402.2603.00	1/2" FPT x 1/2" F	8.41	7250
8402.2604.00	3/4" FPT x 3/4" F	19.9	7250
8402.2608.00	1" FPT x 1" F	31.1	5000

VALVES - Ball, Shut-Off



- 7000 PSI
- Stainless Steel Body
- 212°F

Part#	Description
8102.2640.00	Ball Valve, 3/8" FPT x 3/8" FPT

VALVES - Ball, Shut-Off, 3-Way



- Chrome Plated Steel Ball
- Zinc Plated Steel Body
- 212°F

Part#	Description	GPM	PSI
8402.2615.00	3/8" FPT x 3/8" F	4.97	7250
8402.2623.00	1/2" FPT x 1/2" F	8.41	7250
8402.2620.00	3/4" FPT x 3/4" F	19.9	7250
8402.2621.00	1" FPT x 1" F	31.1	5000
8402.2622.00	1-1/4" FPT x 1-1/4" F	50.9	5000

VALVES - Ball, Shut-Off



- 3045 PSI
- Nickel Plated Brass Body
- 176° F
- **Box Qty 5**

Part#	Description
8107.2630.00	Ball Valve, 3/8" F x 3/8" F
8107.2631.00	Ball Valve, 1/2" F x 1/2" F

VALVES - Ball, Shut-Off



- 1500 PSI
- 300° F

Part#	Description
7600.2604.00	Ball Valve, 1/4" M x 1/4" F

VALVES - Ball, Economy Lever



- 200 PSI Rating
- -4 to 250°F
- Chromed Brass Body
- Chromed Ball & Stem
- Teflon Seat & Viton Seals

Part#	Description	In/Outlet
8106.2612.00	Nylon Lever Handle	1/8" FNPTxFNPT
8106.2603.00	Nylon Lever Handle	1/8" FNPTxMNPT
8106.2600.00	Nylon Lever Handle	1/4" FNPTxFNPT
8106.2604.00	Nylon Lever Handle	1/4" FNPTxMNPT
8106.2609.00	Nylon Lever Handle	3/8" FNPTxFNPT
8106.2605.00	Nylon Lever Handle	3/8" FNPTxMNPT
8106.2611.00	Nylon Lever Handle	1/2" FNPTxFNPT
8106.2613.00	Nylon Lever Handle	1/2" FNPTxMNPT

VALVES - Ball, Economy Butterfly



- 200 PSI Rating
- -4 to 250°F
- Chromed Brass Body
- Chromed Ball & Stem
- Teflon Seat & Viton Seals

Part#	Description	In/Outlet
8106.2602.00	Nylon Butterfly T	1/8" FNPTxFNPT
8106.2614.00	Nylon Butterfly T	1/8" FNPTxMNPT
8106.2601.00	Nylon Butterfly T	1/4" FNPTxFNPT
8106.2615.00	Nylon Butterfly T	1/4" FNPTxMNPT
8106.2616.00	Nylon Butterfly T	3/8" FNPTxFNPT
8106.2617.00	Nylon Butterfly T	3/8" FNPTxMNPT
8106.2618.00	Nylon Butterfly T	1/2" FNPTxFNPT
8106.2619.00	Nylon Butterfly T	1/2" FNPTxMNPT

VALVES - EZ Start



- Release Trapped System Pressure
- For Starting Gasoline Engines
- 1.6 GPM Valve Closure Flow
- 8 GPM
- 4060 PSI Max
- 194° F
- **Box Qty 10**

Part#	Description
8107.1750.00	3/8" MPT, 90° w/Hose Barb

VALVES - EZ Start



- Release Trapped System Pressure
- For Starting Gasoline Engines
- 3500 PSI Max
- 1/4" Hose Barb

Part#	Description
8102.1750.00	3/8" MPT w/Hose Barb

VALVES - Jetter



- Converts Triplex Pump to Duplex Pump
- Replaces Inlet Valve Cap

Part#	Description
0608.0034.00	LW, FW & ZW up to 3000 PSI
0608.0035.00	ZW, HW, RW & SW over 3000 PSI
0608.0036.00	TW up to 3600 PSI
0608.0037.00	TW over 3600 PSI

* TW 8040 S uses 0608.0036.00

VALVES - Pressure Regulating



- 21 GPM
- 8100 Rated PSI
- 8700 Max PSI
- 195° F Max
- 1/2" F In/Outlet & By-Pass
- Stainless Steel 303

Part#	Description
8116.2506.00	Regulating Valve, VRP 600

VALVES - Pressure Regulating

NEW



- 8.0 GPM
- 194° F
- 3/8" FPT Inlet & By-Pass
- SST AISI 303
- Viton O-Ring & Ceramic Ball
- **Box Qty 5**

Part#	Description
8108.7634.00	VXR 3, 2320 PSI, Yellow, No Knob MV #4072300002
8108.7635.00	VXR 3, 4500 PSI, Black, No Knob MV #4072300003
8108.7634.01	Repair Kit MV #4079900028

VALVES - Pressure Regulating

NEW



- 8.0 GPM
- 194° F
- 3/8" FPT In/Outlet & By-Pass
- **Box Qty 20**

Part#	Description
8108.7636.00	VRS3R, 2320 PSI, Yellow, No Knob MV #4072000092
8108.7637.00	VRS3R, 3630 PSI, Blue, No Knob MV #4072000093
8108.7636.01	Repair Kit MV #4079900042

VALVES - Pressure Regulating



- 120 GPM
- 2900 Rated PSI
- 3200 Max PSI
- 195° F
- 1-1/4" FPT In/Outlet
- 1-1/2" FPT By-Pass

Part#	Description
8116.2626.00	Regulating Valve, VRP 450-200

VALVES - Restrictor, Flow VP 2



- 8 GPM
- 4060 PSI
- 320° F
- **Box Qty 10**

Part#	Description
8108.8220.00	Valve, 1/4" M In, 1/4" F Out MV #4130100001
8108.7025.00	Valve, M22M x M22F MV #4130100002

VALVES - Safety SVL 50



- 26.4 GPM
- 8100 PSI
- 194° F

Part#	Description
8108.7628.00	Valve, 1/2" F Inlet x 1/2" F By-Pass MV #4073500003
8108.7628.01	Repair Kit MV #4079900048

NEW

VALVES - Safety Relief



Part#	Description
8102.2621.00	3/8" MPT, 6 GPM, 6000 PSI, 195° F
8107.2620.00	1/4" M x 1/4" F, 6.4 GPM, 2200 PSI, 194° F

VALVES - Safety Relief SVT



- 6.6 GPM
- 194° F
- 3/8" FPT Inlet x By-Pass x 2

Part#	Description	Box Qty
8108.7624.00	Valve, 5800PSI, SVT 40 MV #0215010430	5
8108.7620.00	Valve, 4060PSI, SVT 28 MV #0215010190	24
8108.7622.00	Valve, 2450 PSI, SVT 17 MV #4072000032	24
8108.7620.01	Repair Kit MV #4079900012	

NEW

VALVES - Safety Relief VLP

NEW



- 4060 PSI
- 230° F
- 1/4" M Inlet
- P.G. 016 mm Outlet

Part#	Description	Box Qty
8108.7638.00	Safety Valve, 2.1-3.2 GPM MV #4073500010	20
8108.7639.00	Safety Valve, 3.4-4.5 GPM MV #4073500011	20
8108.7660.00	Safety Valve, 4.5-5.6 GPM MV #4073500012	20

VALVES - Safety Relief SVL

NEW



- 6.6 GPM
- 194° F
- 3/8" NPT Inlet x By-Pass
- 362 PSI Min Adjust Pressure
- **Box Qty 24**

Part#	Description
8108.7623.00	Safety Valve SVL 17, 2450 PSI MV #4072000031
8108.7621.00	Safety Valve SVL 28, 4060 PSI MV #0215010220
8108.7620.01	Repair Kit MV #4079900012

VALVES - Safety Relief VS 310



- 11 GPM
- 5100 PSI
- 195° F
- **Box Qty 4**

Part#	Description
8116.2625.00	Valve, 3/8" F Inlet & By-Pass

VALVES - Safety Relief



- 8 GPM
- 3625 PSI
- 194° F
- Adjustable Pressure Relief
- **Box Qty 10**

Part#	Description
8107.2621.00	3/8" M, 1/4" M Discharge
8107.2621.01	3/8" M, 1/4" Hose Barb Discharge

VALVES - Safety Relief SVL 22/450



- 120 GPM
- 4800 PSI
- 194° F
- Allowable Setting Pressure
1450-2900 PSI

Part#	Description
8108.7630.00	Valve, 1" F Inlet x 1" F By-Pass MV #4073500001
8108.7630.01	Repair Kit MV #4079900036

VALVES - Safety



- 4 GPM
- 176° F
- Adjustable Pressure Relief

Part#	Description
1215.0311.00	Safety Valve 1/8" M, 3000 PSI
1215.0443.00	Safety Valve 1/8" M, 3625 PSI

VALVES - Thermal Relief



- 145 PSI Max. Inlet Pressure
- 133° F Relief Temp.
- Protects Pumps from
Overheating

Part#	Description
1215.0523.00	Thermal Relief Valve 1/4"
1215.0354.00	Thermal Relief Valve 3/8"
1215.0355.00	Thermal Relief Valve 1/2"

VALVES - Safety Relief SVX



- 8 GPM
- 4500 PSI
- 194° F
- Stainless Steel AISI 303

Part#	Description
8108.7627.00	Valve, Stainless 3/8" FPT x 3/8" FPT MV #4073200001
8108.7627.01	Repair Kit MV #4073200001

VALVES - Thermal Relief



A

- 200 PSI
- Protects Pumps from Overheating



B

Part#	Description	Temp
8102.1700.00	Thermal Relief Valve 3/8"	145° F A
8402.1700.00	Thermal Relief Valve 3/8"	140° F B
8102.1701.00	Thermal Relief Valve 1/2"	145° F A
8402.1701.00	Thermal Relief Valve 1/2"	140° F B

WATER BROOM



- 1/4" QD Plug
- 4000 PSI

Part#	Description
8402.2500.00	12", 3 GPM, 3 Nozzles
8402.2501.00	16", 3 GPM, 4 Nozzles
8113.3163.00	Nozzle, Meg, 1/4" 6513

PRESSURE WASHERS

SCOUT - Hot Water



- 2 GPM @ 1300 PSI
- 3400 RPM
- Brass Headed Pump
- 120V-60Hz-1 Phase; 14 Amps
- Includes GFCI w/15" Cord
- 35' Rubber hose
- Professional Gun/Lance
- Includes Hose Reel
- Diesel Burner

Part#	Description
9044.0011.00	Scout 135 Classic

STATIC - Cold Water



- 2.2 GPM
- 1300 PSI
- 115V-60Hz-1 Phase
- 14 Amps-1500W
- Gun & Lance w/Vari-Jet
- Hose Reel w/65'(20m) Rubber Hose
- Turbo Nozzle, Foamer & Rotating Brush
- Wall Mountable

Part#	Description
9052.0007.00	Static 1700

TRACTOR PTO - Pressure Washer



- Complete Pressure Washer
- Includes Frame, Pump & Accessories
- 3 Point Hitch
- 550 RPM Power Take-Off
- Frame Folds for Shipping

Part#	Description
9045.0005.00	PTO 30/170 w/Frame TWN 8025 S
9045.0001.00	PTO 12/120 w/Frame FW 5530 S
9045.0014.00	PTO 21/200 w/Frame RW 5530 S
9045.0002.00	PTO 33/150 w/Frame TW 8030 S
9045.0003.00	PTO 23/200 w/Frame TWN 6036 S
9045.0015.00	PTO 10/300 w/Frame TW 4545 S
9045.0010.00	PTO 30/170 TWN 8025 S, 8 @ 2500
9045.0016.00	PTO 21/200 RW 5530 S, 5.5 @ 3000
9045.0007.00	PTO 33/150 TW 8030 S, 8.8 @ 2175
9045.0008.00	PTO 23/200 TWN 6036 S, 8.7 @ 3000
5005.0242.00	Gear Box, 550 RPM
5003.0050.00*	Kit, Conversion, 1000 RPM
8102.1801.00	Oil, Bottle

*Needed with Gear Box to convert to 1000 RPM for TWN PTO

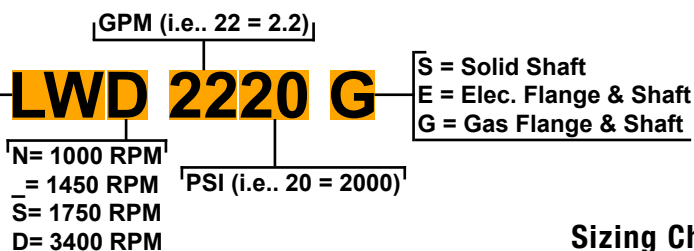
CONVERSION TABLES & FORMULAS

Weights & Volumes				Torque				Length Calculations						
Gal.	x	3.785	=	Liters	NM	=	Ft./lb.	x	1.35	.001 in.	x	25.4	=	Microns
Gal.	x	128	=	Ounces	Ft./lb.	=	NM	/	1.35	In.	x	25.4	=	MM
Gal.	x	231	=	Cu. In.	In./lb.	=	Ft./lb.	x	12	MM	x	.03937	=	Inches
Gal.	x	8.3453	=	Pounds	Temperatures $^{\circ}\text{C} = .555(^{\circ}\text{F}-32)$ $^{\circ}\text{F} = (1.8^{\circ}\text{C})+32$				Belt Length = $2 \times \text{CD} + \text{D} + \text{d} \times 1.57$					
Ltr.	x	61.02	=	Cu. In.					Required Horsepower $\frac{\text{GPM} \times \text{PSI}}{1460} = \text{Elec. Brake HP}$ $\frac{\text{GPM} \times \text{PSI}}{1714} = \text{Hydraulic HP}$ $\frac{\text{GPM} \times \text{PSI}}{1100} = \text{Gasoline HP}$				Nozzles Nozzle # = $\text{GPM} \times \left(\sqrt{\frac{4000}{\text{PSI}}} \right)$ GPM = $\text{Nozzle \#} \times \left(\sqrt{\frac{\text{PSI}}{4000}} \right)$ PSI = $4000 \times \left(\frac{\text{GPM}}{\text{Nozzle \#}} \right)^2$	
Ltr.	x	33.82	=	Ounces	Pulley Ratio $\frac{\text{Motor Pulley OD}}{\text{Pump RPM}} = \frac{\text{Pump RPM}}{\text{Motor Pulley OD}}$				Ltr. x .2642 = Gallons Ltr. x 1000 = Cubic CM ML (CC) x .0338 = Ounces Gram x .03527 = Ounces PSI x .0680 = Bar Bar x 14.5 = PSI In. HG x .4912 = PSI In. H2O x .8226 = In. HG					

Sample Pump Model Number

LWD 2220 G

- BX = Small Axial
- BW = Small Frame
- VRX = Small Vertical
- AX = Large Axial
- AW = Small Frame
- LW = Small Frame
- ZW = Large Frame
- FW = Large Frame
- FW2 = Large Frame
- HW = Large Frame
- RW = Premium Series
- SW = Premium Series
- TW = Premium Series



Sizing Chart for Hi-Lo Vari Nozzles

NOZZLE		PRESSURE - PSI											
#	Dia. mm	600	700	800	900	1000	1200	1500	1800	2000	2500	3000	3200
028	1.15	1.08	1.17	1.25	1.33	1.40	1.53	1.71	1.88	1.98	2.21	2.42	2.50
030	1.20	1.16	1.25	1.34	1.42	1.50	1.64	1.84	2.01	2.12	2.37	2.60	2.68
035	1.30	1.36	1.46	1.57	1.66	1.75	1.92	2.14	2.35	2.47	2.77	3.03	3.13
037	1.35	1.43	1.55	1.65	1.76	1.85	2.03	2.27	2.48	2.62	2.93	3.20	3.31
040	1.38	1.55	1.67	1.79	1.90	2.00	2.19	2.45	2.68	2.83	3.16	3.46	3.58
042	1.40	1.63	1.76	1.88	1.99	2.10	2.30	2.57	2.82	2.97	3.32	3.64	3.76
045	1.45	1.74	1.88	2.01	2.13	2.25	2.46	2.76	3.02	3.18	3.56	3.90	4.02
050	1.50	1.94	2.09	2.24	2.37	2.50	2.74	3.06	3.35	3.54	3.95	4.33	4.47
055	1.55	2.13	2.30	2.46	2.61	2.75	3.01	3.37	3.69	3.89	4.35	4.76	4.92
058	1.60	2.25	2.43	2.59	2.75	2.90	3.18	3.55	3.89	4.10	4.59	5.02	5.19
060	1.65	2.32	2.51	2.68	2.85	3.00	3.29	3.67	4.02	4.24	4.74	5.20	5.37
065	1.70	2.52	2.72	2.91	3.08	3.25	3.56	3.98	4.36	4.60	5.14	5.63	5.81

GALLONS PER MINUTE

Nozzle size for Rotating Nozzles (GPM)

PSI	030	035	040	045	050	055	060	070	080	120
3000	2.60	3.03	3.46	3.90	4.33	4.76	5.20	6.06	6.93	10.39
3700	2.89	3.37	3.85	4.33	4.81	5.29	5.77	6.73	7.69	11.54
4000	3.00	3.50	4.00	4.50	5.00	5.50	6.00	7.00	8.00	12.00
4500	3.18	3.71	4.24	4.77	5.30	5.83	6.36	7.42	8.49	12.73
5000	3.35	3.91	4.47	5.03	5.59	6.15	6.71	7.83	8.94	13.42
5800	3.61	4.21	4.82	5.42	6.02	6.62	7.22	8.43	9.63	14.45

WARRANTY

PUMPS

The Comet pump is warranted by the manufacturer to the original purchaser to be free from defects in material and workmanship under normal use and service. "Normal use and service" means not in excess of the recommended maximum speeds, pressures and temperatures or handling fluids not compatible with component materials. This warranty shall not apply to any pump which has been repaired or altered to affect the performance or reliability of the pump. Warranty does not apply to a) freight damage, b) freezing damage, c) damage caused by parts or accessories not obtained from or approved by Comet, d) damaged by misuse and/or misapplication, e) normal wear of moving parts or components affected by moving parts. Period of warranty on models; BW, LW, AW, GW, ZW, HW, FW2, RW, SW & TW shall be five years from date product is shipped from manufacturer's factory. Period of warranty on AXD models shall be two years and BXD, GXD & VRX models shall be one year from date product is shipped from manufacturer's factory. Period of warranty on HPP models shall be three years from date product is shipped from manufacturer's factory. Liability of manufacturer under the foregoing warranty is limited to repair or replacement at the option of manufacturer of that product, which according to the manufacturer's investigation was deemed defective at time of shipment. This warranty is in lieu of all other warranties, expressed or implied, including any warranty of merchantability and/or any and all other obligations or liabilities on the part of the manufacturers.

ACCESSORIES

Comet pump accessories are warranted by the manufacturer to the original purchaser to be free from defects in material and workmanship under normal use and service. Normal use and service means not in excess of the recommended maximum speeds, pressures and temperatures or handling fluids not compatible with component materials. This warranty shall not apply to any accessory which has been repaired or altered. Warranty does not apply to a) freight damage, b) freezing damage, c) damage caused by parts or accessories not obtained from or approved by Comet, d) damaged by misuse and/or misapplication, e) normal wear of moving parts or components affected by moving parts. Period of warranty shall be 90 days from date product is shipped from manufacturer's factory. Liability of manufacturer under the foregoing warranty is limited to repair or replacement at the option of manufacturer of that product, which according to the manufacturer's investigation was deemed defective at time of shipment. This warranty is in lieu of all other warranties, expressed or implied, including any warranty of merchantability and/or any and all other obligations or liabilities on the part of the manufacturers.

SALES POLICY

Possession of this catalog does not constitute the right to purchase products from Comet. Products are sold to qualified distributors and manufacturers only.

PAYMENT TERMS

Open Account: Net 30 days upon approval of submitted Credit Application. Past Due Invoices: An invoice is determined to be past due 31 days after the invoice date. (All shipments are invoiced day of shipment.) You will be notified as a reminder of a past due invoice by the Comet credit department. Accounts with invoices 45 days old are automatically placed on credit hold. No shipments will be made until payment is received by Comet. Returned Checks: A \$25.00 fee will be charged on all returned checks.

ORDER PROCEDURES

Comet's telephone order department is open from 8:00 AM to 5:00 PM Central Time, Monday through Friday, except for selected holidays. When placing an order by phone, please give the following information: Account No., Part Number, and Quantity Ordered. The Comet sales representative will read back the part number, quantity, description and price to eliminate errors. Please listen carefully to verify the correct items are being ordered. Comet is not responsible for shipping charges on items returned as a result of customers ordering a wrong item. Orders may be placed TOLL FREE by fax at 1-888-708-1895 or email (sales@cometpump.com), 24 hours a day, 7 days a week. We recommend this method of ordering to help eliminate ordering errors or misunderstandings. When ordering by fax or email, give the Part Number, Product Description, Quantity and Price. Special shipping instructions such as Next Day Air should be highlighted/circled for easy identification by our sales person. All shipping discrepancies must be notified within 5 working days after receipt of order.

FREIGHT

All items will be shipped via UPS or common carrier unless otherwise specified by the customer. All orders will be sent prepaid and added to the invoice.

WARRANTY ITEM RETURNS

Items returned for warranty consideration must have a Returned Goods Authorization (RGA) number and an RGA Claim Form. An RGA # and Claim Form may be obtained by calling the Warranty Department at 1-800-708-1894 (ext. 107). Fill out the form completely to ensure proper processing of warranty. All items sent to Comet must have an RGA number marked on the outside of the box as well as the RGA Claim Form. Goods must be returned within 30 days of issuance of an RGA #. After 30 days a new # will need to be given. Returned parts must be packaged properly and shipped via PREPAID FREIGHT. Any shipments received collect, without an RGA # or after the 30 days will be refused and returned at customer's expense. For claims covered under warranty, items will be shipped to customer via UPS Prepaid, or a credit will be applied to the account. For all repairable items NOT covered under warranty, a bill will be issued for parts and labor. Labor will be billed at \$60.00/hour. Prices are subject to change without notification.

List prices are FOB Paynesville, MN

INDEX

A		Insulated.....67	Gear Reducers.....72
Accumulators.....89		O-Ring.....67	GFCI.....72
Adjustable Thermostat.....92		Quick Connect.....67-68	Grommet.....66
Aluminum Lances.....81		Twist Connect.....68-69	Guns, Extensions.....72-73, 75-76
Anti-Fatigue Strap & Belt.....82	Coupling, Ball QC.....69		Gun Lance Combo Guns.....76-77
Anti-Freeze.....66		D	Guns, Trigger.....72-75
AW Pumps.....34-35		Diaphragm Pumps.....63	Guns, Triggerless.....73-74
AW Pump Repair Kits.....35, 64-65		Diaphragm Pump Repair Kits.....63	Guns, Weep.....73-74
AX Series Pumps.....28-31		DipSticks.....88	Gutter Cleaner, Lance.....81
AX Pump Repair Kits.....31, 64-65		Dual Lances.....79-80	
Axle Caps.....66			H
			Hi-Lo Nozzles.....87-88
B			High Pressure Filters.....69
Ball Valves.....97-98		E	Hobby Kit.....77
Bell Housing.....71	Easy Start Valve.....98	Engine Shaft Keys.....69	Hose Barbs.....71
Banjo Kits.....96	Engine Throttle Control.....92	Engine Throttle Control.....92	Hose Reel Swivels.....78
Belt, Cart.....67	Everflo Diaphragm Pumps.....63	Extraction Tools.....88	Hose Reels.....78
Block, Unloader Mounting.....97			Hoses.....77
Brass Fittings.....71		F	Hose Assembly-Soap.....69
Brushes.....66	Filters:		Hot Water Seal Kits.....65
Burner Rings.....66	Canister.....69		
Burner Ring Nozzle.....66	Chemical.....70		I
Bushing.....67	High Pressure.....69		Inlet Filters.....70
BW Pumps.....32-33	Hose Soap Assy.....69		Injectors.....78-79
BW Pump Repair Kits.....33, 64-65	Inlet.....70		Insertion Tools.....89
BX Pumps.....26-27	Self-Cleaning.....69		
BX Pump Repair Kits.....27, 64-65	Suction, Tank.....70		J
	Y-Intake.....70		Jetter Nozzles.....88
C		Fittings, Garden Hose, Misc.....70	Jetter Valve.....98
Carts.....67	Flex Coupler.....71	Float Tanks & Valves.....71	Jets-Gas.....66
Cart Components.....66-67	Flow Restrictor Valve.....99	Flow Restrictor Valve.....99	Jolly Series, Spray Gun & Combo.....77
Check Valve.....65	Flow Switches.....90-91	Foam Injector Nozzle.....71	
Chem. Filter & Hose Assy.....69-70	Foam Injector Nozzle.....71	FW2 Series Pumps.....46-49	K
Chemical Injectors.....78-79	FW2 Pump Repair Kit.....49, 64-65		Keys, Engine.....69
Chemical Spray Nozzles.....83			
Chemical Suction Filters.....70		G	L
Clutch.....67	Garden Hose Fittings.....70		Lances: Aluminum.....81
Concrete Cleaners.....90	Gasket, Manifold.....71		Dual Lances.....79-80
16" w/Brush.....90	Gauges, Pressure.....72		Extensions.....81-82
Conversion & Calculation Chart.....102			Flex.....81
Couplers:			Gutter.....81
Flex.....71			Molded Grip Lances.....79-80

INDEX

Non-Molded Lances.....	80-81	O-Rings, QC Sockets.....	67	Insulated Couplers.....	67
Side Grip Handles.....	82			Plugs.....	68
Telescoping.....	82	P		Nozzles.....	83-84
Tip Holder.....	82	Packing Extraction Tools.....	88	O-Rings.....	67
Two Piece.....	81	Packing Insertion Tools.....	89		
Vented Grip Lances.....	79-81	Pipe Fittings.....	71	R	
Wand Saver.....	82	Plate, Clutch.....	67	Regulating Valves.....	99
Lock, Thread.....	92	Plugs:		Remote Mounting Blocks.....	97
Love Joy Couplers.....	71	Quick Connect.....	68	Repair Kits, Pumps.....	64-65
LW Series Pumps.....	36-41	TwistConnect.....	68-69	Repair Parts, Hi-Lo.....	87
LW Pump Repair Kits.....	41,64-65	KEW Plug.....	69	Repair Tools:	
		Pressure Gauges.....	72	Packing Extractor Kit.....	88
M		Pressure Regulating Valves.....	99	Packing Insertion Kit.....	89
Meg Nozzles.....	83	Pressure Switches.....	90	Rotary Heads.....	90
Molded Grip Lances.....	79-80	Pressure Washers.....	101	Rotating Brushes.....	66
Mounting Rails.....	89	PTO Pumps.....	101	Rotating Nozzles.....	84-87
Mounting Blocks.....	97	Pulleys.....	67	Rotating Nozzle Repair Kits.....	85-87
		Pulsation Dampeners.....	89	Rotojet Nozzles.....	85-86
N		Pump Oil.....	88	Rotojet Repair Kits.....	85-86
Non-Marking Gray Hoses.....	77	Pumps:		Rubber Feet.....	66
Non-Insulated Wands.....	80-81	AW Series.....	34-35	Rubber Grommet.....	66
Nozzles:		AX Series.....	28-31	RW Series Pumps.....	50-52
Adjustable.....	82	BW Series.....	32-33	RW Pump Repair Kits.....	52, 64-65
Burner Ring.....	66	BX Series.....	26-27		
Chemical & Soap.....	83	Diaphragm Pumps.....	63	S	
Hi-Lo/IdroJet.....	87-88	FW2 Series.....	46-49	Safety Valves.....	90-91
Jolly Spraygun w/Lance.....	77	LW Series.....	36-41	Sand Blast Kits.....	89
Kits, QC.....	84	PTO Pumps.....	101	Sewer Nozzles.....	88
MEG.....	83	RW Series.....	50-52	Side Handle.....	82
Protectors.....	82-83	SW Series.....	54-55	Sludge Pumps.....	89
Quick Connect.....	83-84	TW Series.....	56-61	Sockets:	
Rotating.....	84-87	VRX Series.....	22-24	Insulated.....	67
Rotomax.....	84	ZW Series.....	42-45	Quick Connect.....	67
Sewer.....	88	Pump, Rails Kits.....	89	Twist Connect.....	68
Soap.....	83	Pump, Repair Kits.....	64-65	Spray Guns:	
Tip Holder.....	82	Pump Saver.....	66	Gun/Lance Combo.....	76-77
Vari.....	87-88	Pumps, Sludge.....	89	Open Guns.....	73-74
				Trigger Guns.....	72-75
O		Q		Spray Tip Holder.....	82
Oil.....	88	Quick Connect:		Stainless Steel Couplers.....	67
Oil Caps.....	88	Couplers.....	67-68	Stainless Steel Plugs.....	68
Open Gun.....	73-74	Injectors.....	78-79	Strainers, Y.....	70

INDEX

Surface Cleaners.....90

SW Series Pumps.....54-55

SW Pump Repair Kits.....55, 64-65

Switches:

Flow Switches.....90-91

Pressure Switches.....90

Vacuum Switches.....91

Swivel:

Brass.....91

Hose Reel.....78

Nozzle.....91

Stainless Steel.....91

T

Tank.....71

Teflon Tape.....91

Telescoping Wands.....82

Terminator, Engine.....92

TW-Belt.....82

Thermal Relief Valves.....100-101

Thermostat.....92

Thread Lock.....92

Throttle Control.....92

Tires.....66

Tools:

Packing Extraction Tools.....88

Packing Insertion Tools.....89

Torque Specs.....65

Trigger Spray Guns.....72-75

TW Series Pumps.....56-61

TW Pump Repair Kits.....58, 64-65

Twist Couplers.....68-69

Twist Plugs.....68-69

Two-Piece Lances.....81

U

Unloader Valves.....92-97

Banjo Kits.....96

With Easy Start.....93-95

Flow Actuated.....97

Trapped Pressure.....92-97

Unloader Mounting Block.....97

V

Vacuum Switches.....91

Valves:

Ball.....97-98

Check.....65

Easy Start.....98

Float.....71

Flow Restrictor.....99

Jetter.....98

Pressure Regulating.....99

Safety Relief.....99-100

Thermal Relief.....100-101

Unloaders.....92-97

Vented Grip Lances.....79, 81

VRX Series Pumps.....23-24

VRX Pump Repair Kits.....24, 64-65

W

Wands.....79-81

Warranty.....103

Water Broom.....101

Water Filters.....69-70

Weep, Spray Gun.....73-74

Wheels, Carts.....66

Whirl-A-Way Surface Cleaner.....90

Y

Y Strainers.....70

Z

ZW Series Pumps.....42-45

ZW Pump Repair Kits.....45, 64-65



Comet USA, Inc

952-707-1894 • Fax 952-707-1895

Toll Free Order Line: 800-708-1894 • Toll Free Fax Line: 888-708-1895

1601 Hwy 13 E Ste. 100 • Burnsville, MN 55337

www.cometpump.com • e-mail: cometpump@cometpump.com