

GENERAL PUMP *A member of the Interpump Group*

GP Thermostats

Capillary Style Adjustable Thermostats

FEATURES

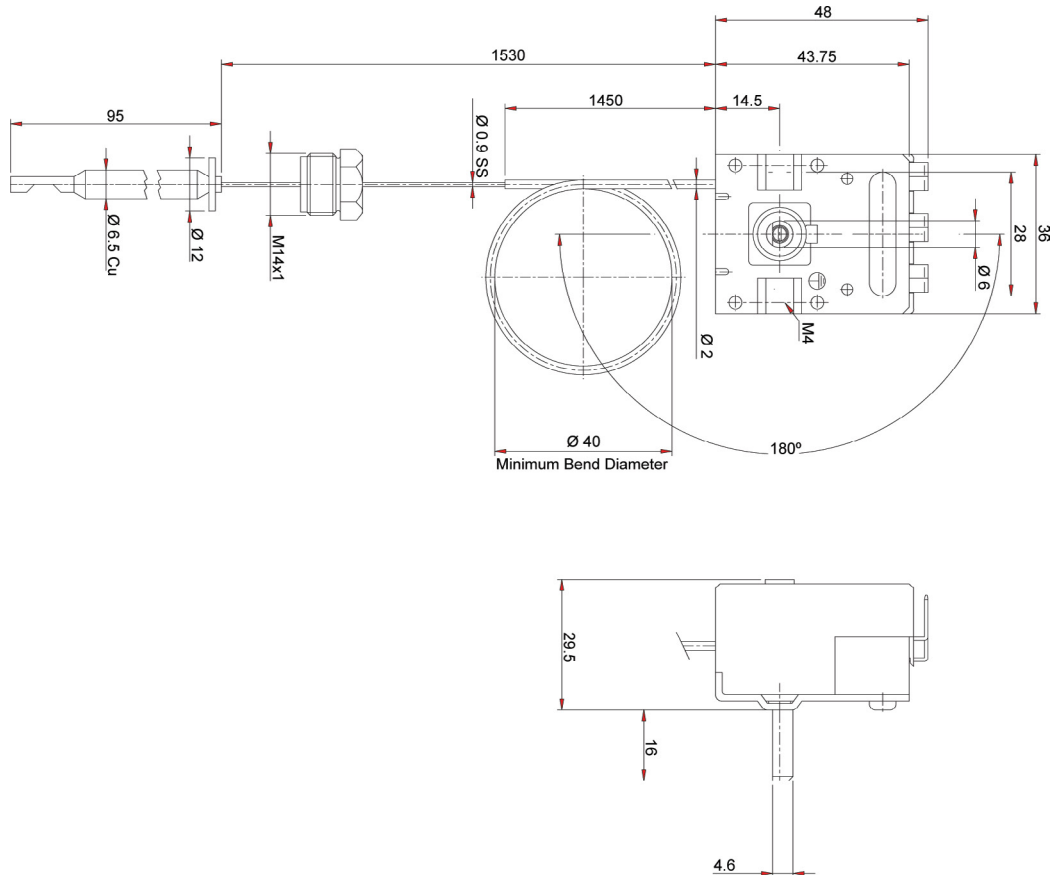
- Panel mounted, dual scale knob.
- Rapid response, $\pm 5^\circ\text{F}$
- 60 inch capillary tube with bulb rated to 4000 PSI
- UL/CSA approved.

SPECIFICATIONS

Part No.	100438CEBI	100439CEBI
Temperature Range	86° F - 195° F	86° F - 302° F
Max Pressure	4000 PSI	4000 PSI
Electric Rating AC	120VAC-20A 240VAC-20A 120/240VAC-1/4HP	120VAC-20A 240VAC-20A 120/240VAC-1/4HP
Sensing Element	Copper Bulb	Copper Bulb
UL/CSA Approved	Yes	Yes



DIMENSIONS (MM)

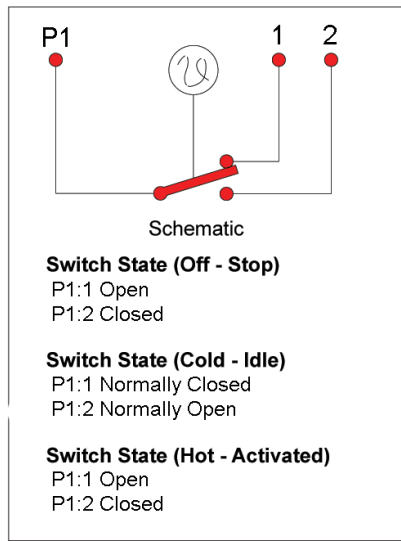
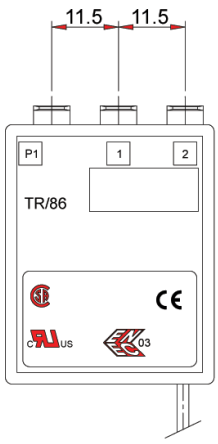
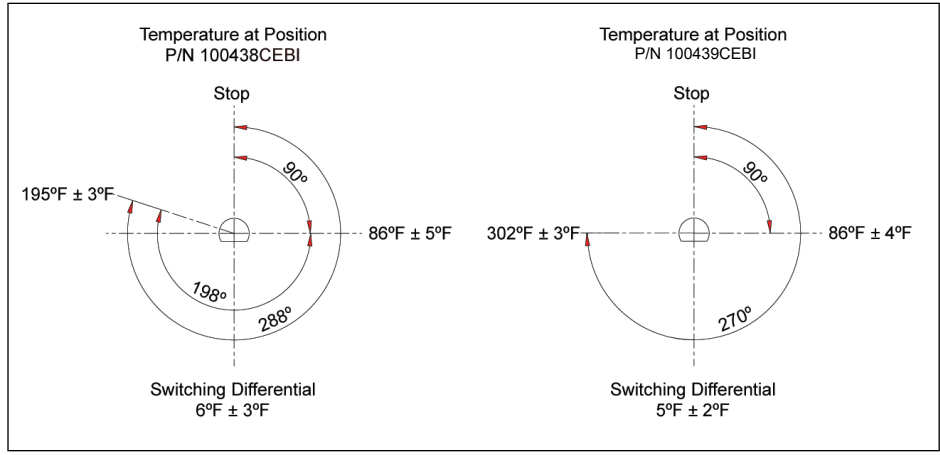


GP Thermostats

Capillary Style Adjustable Thermostats

GENERAL PUMP A member of the Interpump Group

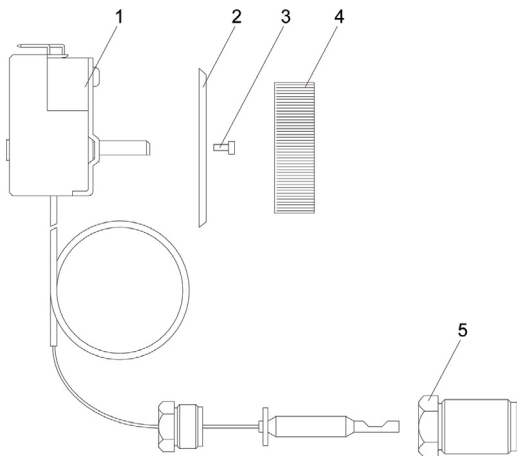
WIRING DIAGRAMS AND INSTRUCTIONS



ASSEMBLY INSTRUCTIONS

1. Thread item 5 adapter in desired location.
2. Insert probe through item 5 and thread nut into item 5.
3. Position thermostat body in desired location.
4. Connect electrical wires.
5. Align indentation on bezel with connector end of thermostat.
6. Attach bezel to thermostat with item 3 screws (qty. 2).
7. Press adjustment knob onto thermostat spindle.

PARTS LIST



No.	Part #	Description	Qty.
1	620106	Thermostat Body, 100438CEBI	1
1	620107	Thermostat Body, 100439CEBI	1
2	540019	Bezel	1
3	200001	Screw	2
4	660020	Adjusting Knob, 100438CEBI	1
4	660021	Adjusting Knob, 100439CEBI	1
5	510103	Adapter	1



GENERAL PUMP ACCEPTS NO LIABILITY AND WARRANTY IS VOID IF THERMOSTAT IS ADJUSTED.

