

ZX-1
User Guide

Catalog

Introduction

Air Cooling Specs Compatibility	05
Water Cooling Specs Compatibility	06
Air Cooling Build Examples	07
Water Cooling Build Examples	08
Accessory Box Contents	09

Installation Guide

Panels Removal	12
Radiator Bracket Removal	13
Power Supply Bracket Removal	13
PSU Extension Cord Installation	14
Motherboard Standby	15
I/O Shield Installation	16
Motherboard Assembly Installation	16
PCI-E Riser Installation	17
Power Cables Connection	17
Top I/O Cables Connection	18
Radiator Bracket Installation	19
Top Fans Installation (Air Cooling Edition)	20
Radiator Installation (Water Cooling Edition)	20
Bottom 2.5" Drive Installation	21
Drives and SFX Power Supply Installation (Air Cooling Edition)	22
SFX Power Supply Installation (Water Cooling Edition)	22

Catalog

Installation Guide

Power Supply Installation	-----	23
Graphics Card Installation	-----	23

Optional Steps

Power Supply Position Options	-----	25
Bottom Fans Installation	-----	26

Air Cooling Specs Compatibility



Dimensions (H x W x D)
330 x 149 x 217 mm



Volume
9.2 L



GPU
Dual-Slot up to
305 x 45 x 140 mm



Motherboard
Mini-ITX



Power Supply
SFX, SFX-L



CPU Heatsink
Up to 70 mm



PCI-E Riser
Twin Axial 170 mm
PCI-E 3.0 x16 Included



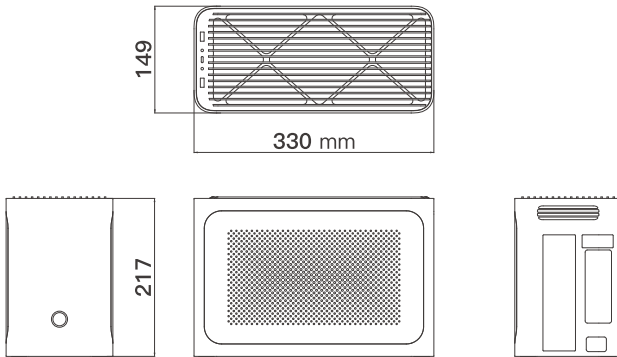
Material
Aluminum



Air Cooling
2 x 120 mm Fans



Storage
2 x 2.5" HDD/SSD
with tray + M.2 SSD



Water Cooling Specs Compatibility



Dimensions (H x W x D)
330 x 149 x 250 mm



Volume
10.6 L



GPU
Dual-Slot up to
305 x 60 x 140 mm



Motherboard
Mini-ITX



Power Supply
SFX, SFX-L



CPU Heatsink
Up to 55 mm



PCI-E Riser
Twin Axial 170 mm
PCI-E 3.0 x 16 Included



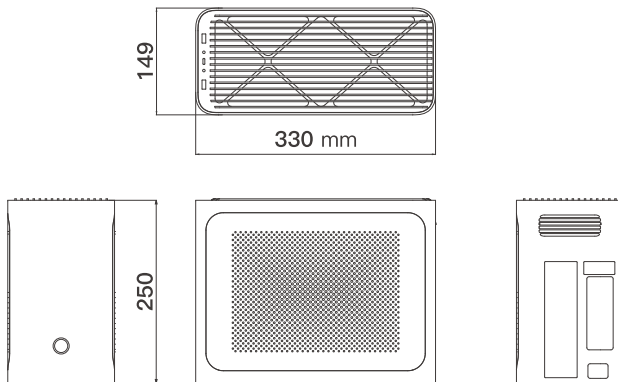
Material
Aluminum



Water Cooling
240 mm AIO radiator thickness
33 mm, 2 x 120 mm Fans



Storage
1 x 2.5" HDD/SSD
with tray + M.2 SSD



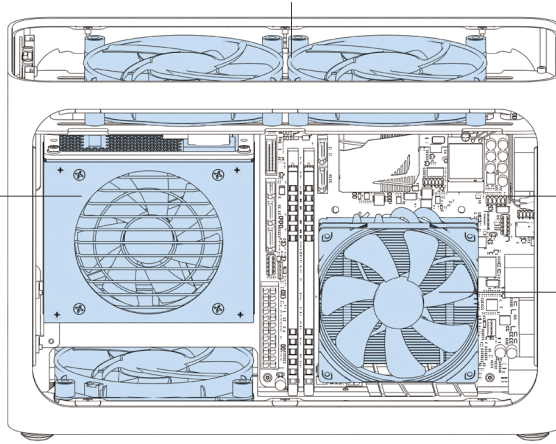
Air Cooling Build Examples

2 × 120 mm Fans

SFX PSU

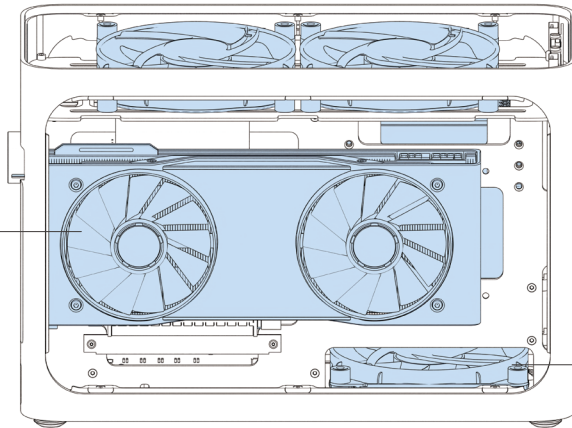
ITX Motherboard

Air Cooler



GPU

1 × 120 mm Fans

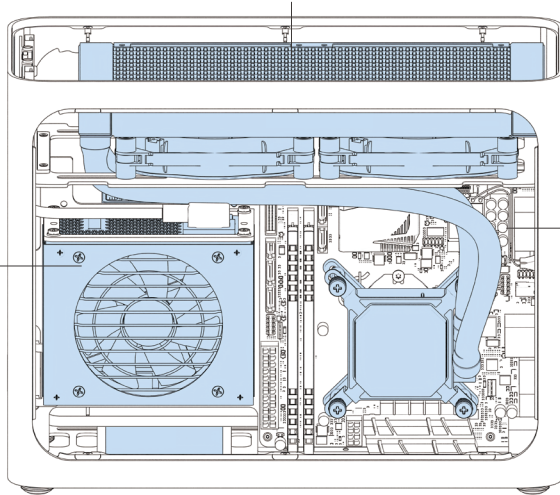


Water Cooling Build Examples

240 mm Radiator + Fans

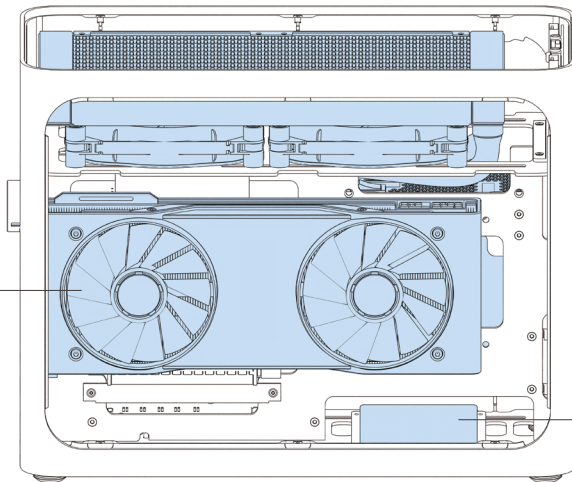
SFX PSU

ITX Motherboard

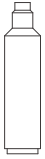


GPU

1 × 2.5" SSD HDD

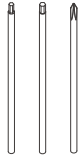


Accessory Box Contents



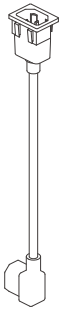
x1

Screwdriver Handle



x3

Screwdriver Bits
(H2.0, H2.5, PH0)



x1

PSU Extension Cord



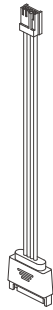
x1

USB 3.0-20 Pin Cable



x1

HD Audio Cable



x1

Top I/O Power Cable

Accessory Box Contents



x10

Motherboard Screws
(M3*5)



x10

General Screws
(M3*6)



x2

Radiator Bracket Screws
(M3*6)



x5

Cable Ties



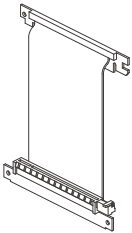
x2

USB-A Anti-Dust Plugs



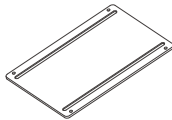
x1

USB-C Anti-Dust Plug



x1

PCI-E Riser



x1

2.5" Drive Bracket



x1

Graphics Card Holder(a)



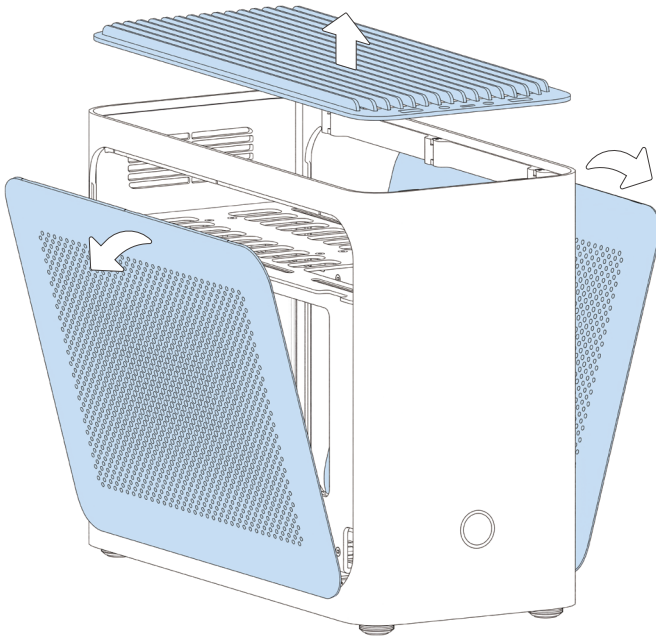
x1

Graphics Card Holder(b)

Installation Guide

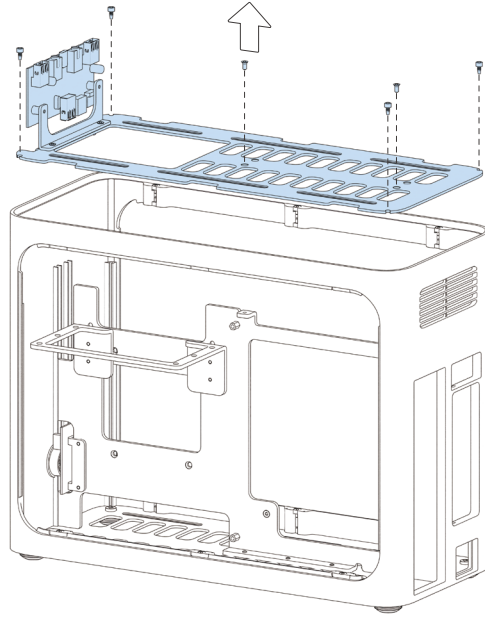
*The installation steps work for both Water Cooling and Air Cooling edition.
The model in this user guide may vary from the one you purchased.
While this information is current as of the date of printing this manual,
this information is subject to change without notice.
Please contact the customer service if you have any problems.

Panels Removal



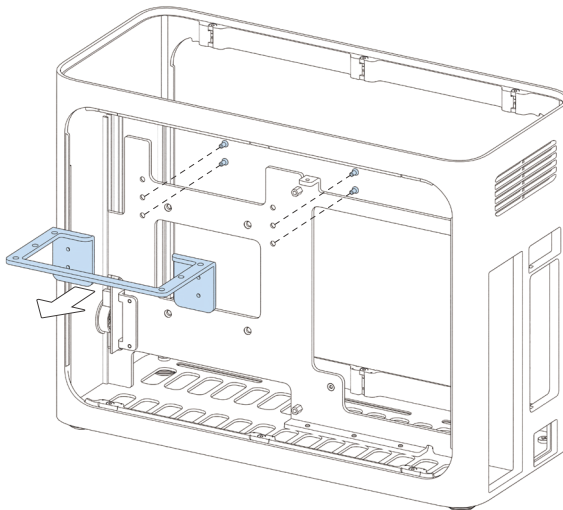
Radiator Bracket Removal

-  ×4
-  H2.5
-  ×2
-  H2.0

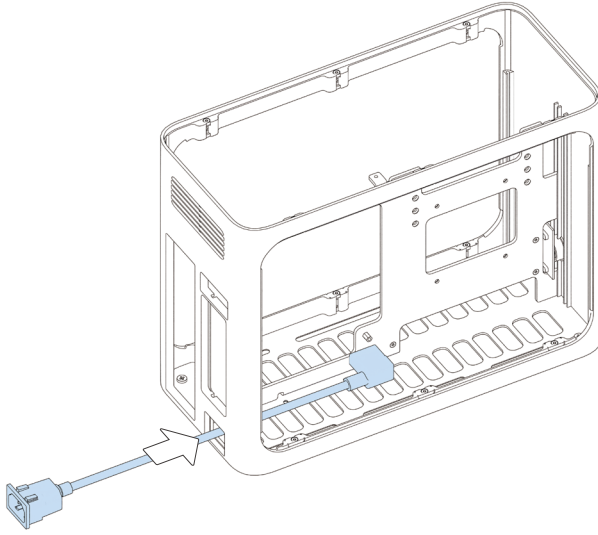


Power Supply Bracket Removal

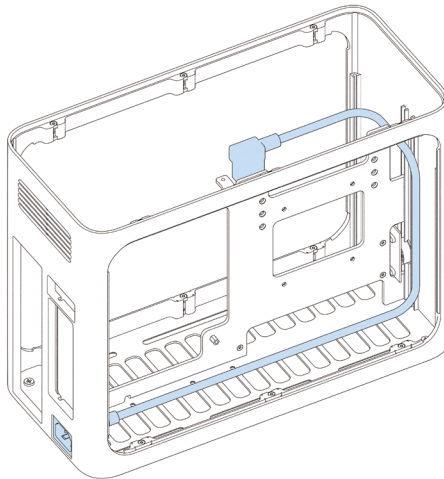
-  ×4
-  H2.0



PSU Extension Cord Installation



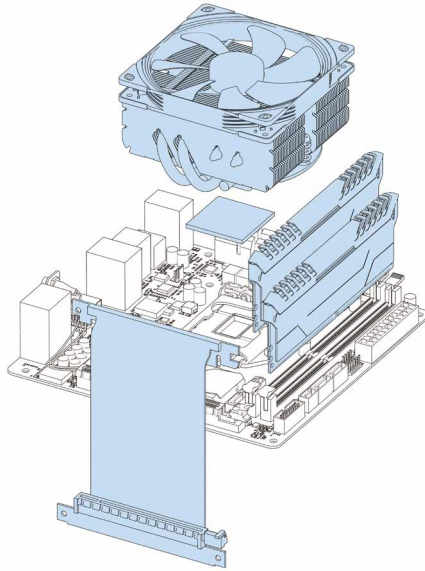
1.



2.

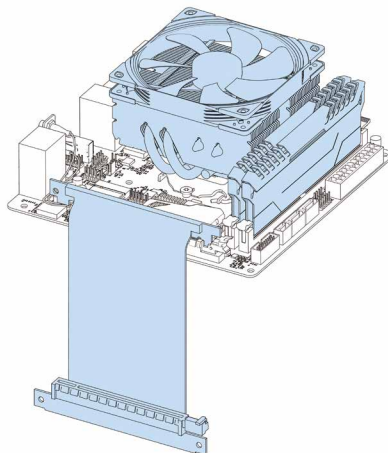
Motherboard Standby


x1



1.

*Install the M.2 SSD at this time if needed.

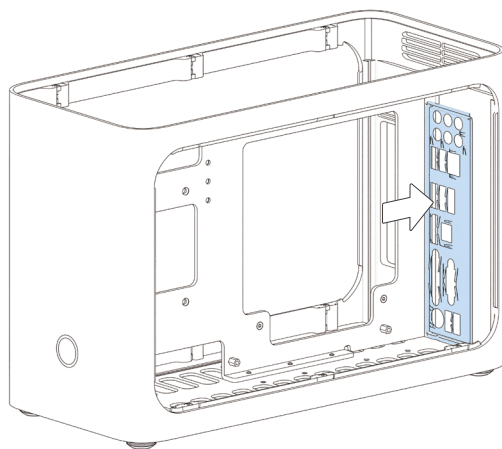


2.

I/O Shield Installation



x1



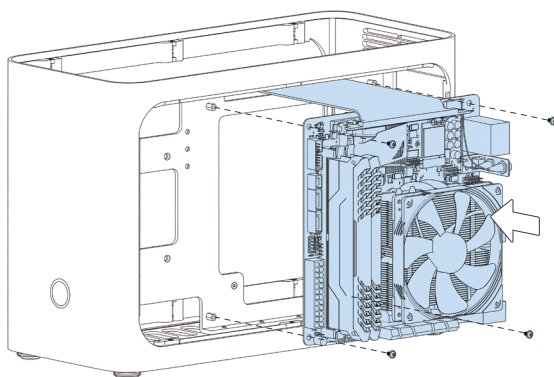
Motherboard Assembly Installation



x4



H2.0



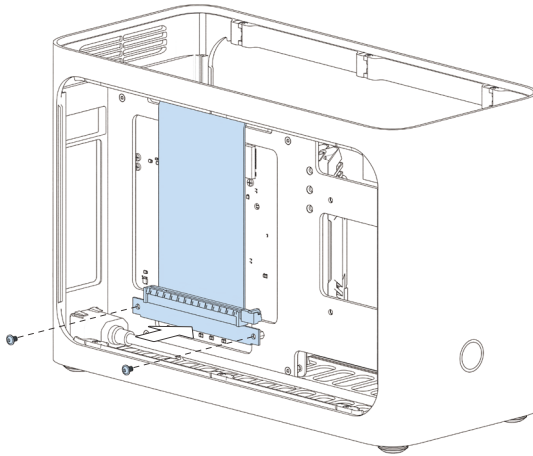
PCI-E Riser Installation



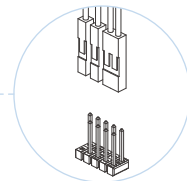
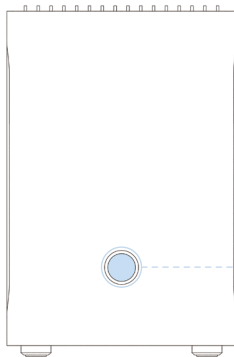
×2



H2.0

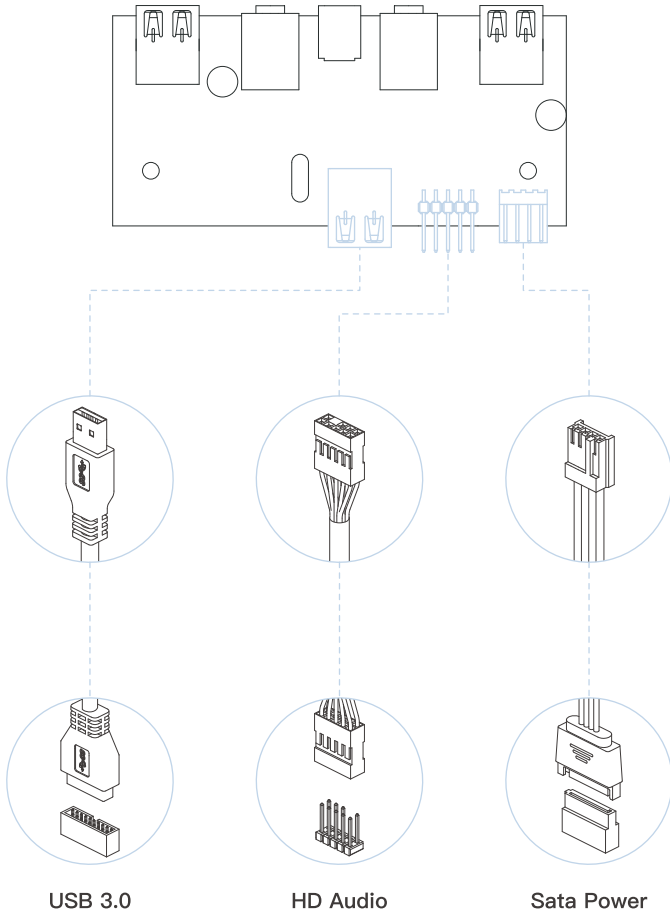


Power Cables Connection



POWER SW
POWER LED

Top I/O Cables Connection



USB 3.0

HD Audio

Sata Power

*Sata power cable can be connected after power supply is installed.

Radiator Bracket Installation



×4



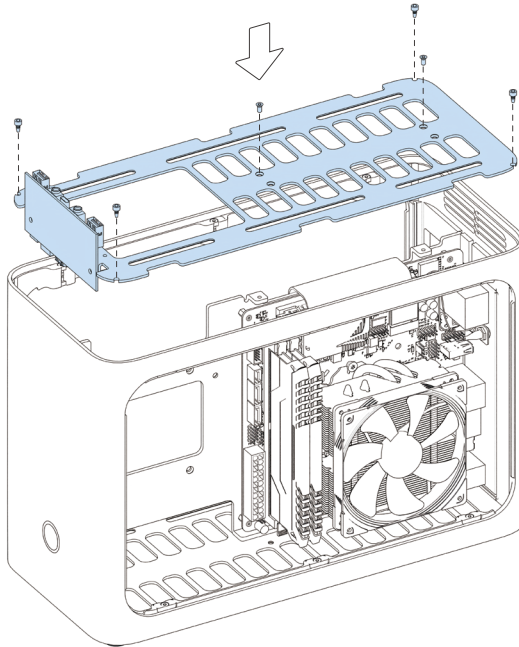
H2.5



×2



H2.0



Top Fans Installation (Air Cooling Edition)



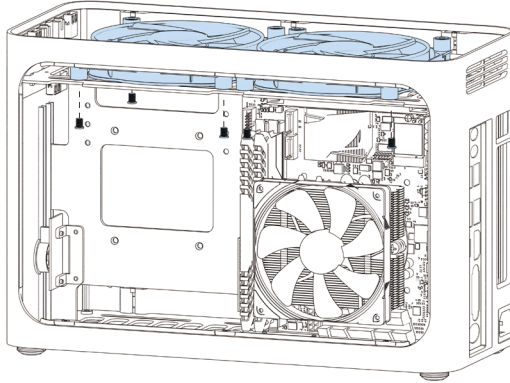
x2



x8



PH0



Radiator Installation (Water Cooling Edition)



x2



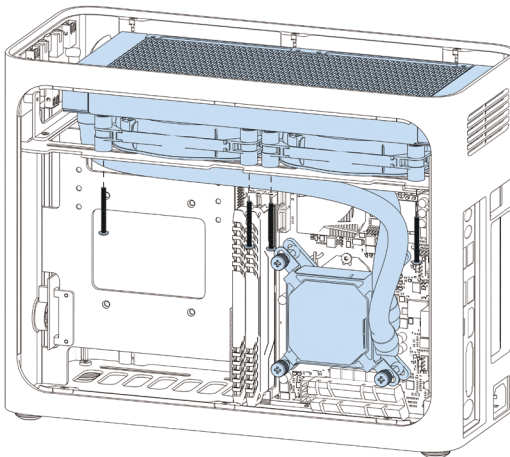
x1



x8



PH0



Bottom 2.5" Drive Installation



x1



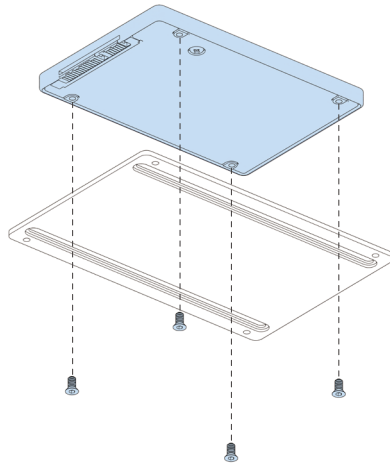
x1



x4



H2.0



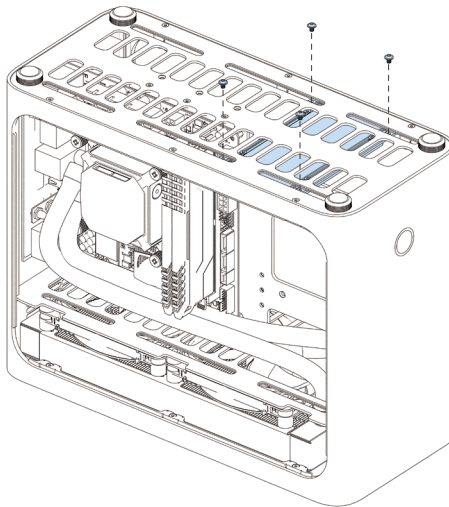
1.



x4



H2.0



2.

Drives and SFX Power Supply Installation (Air Cooling Edition)



×1



×2



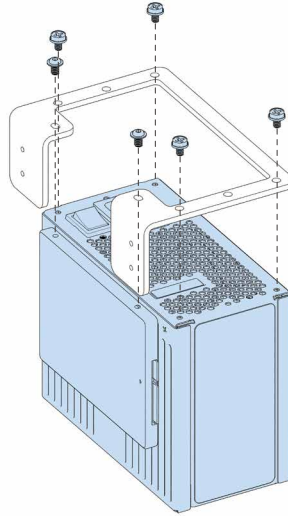
×1



×4



PH0



SFX Power Supply Installation (Water Cooling Edition)



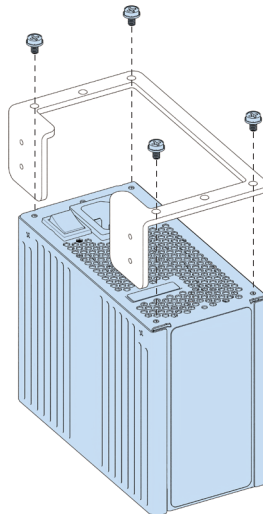
×1



×4



PH0



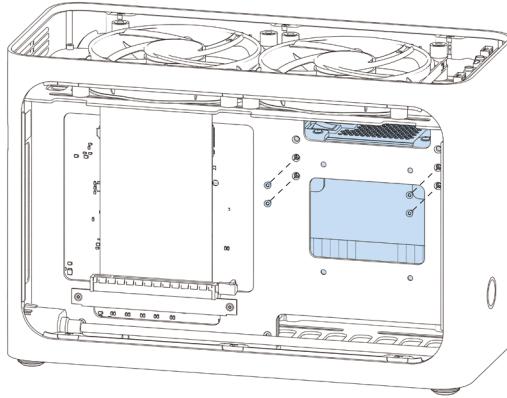
Power Supply Installation



×4



H2.0



Graphics Card Installation



×1



×1



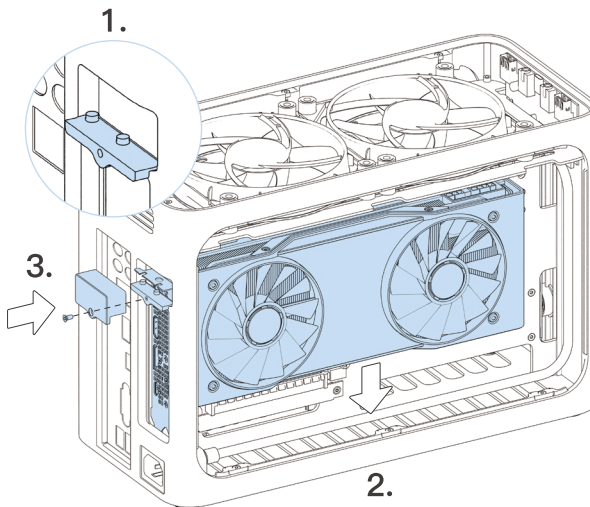
×1



×1



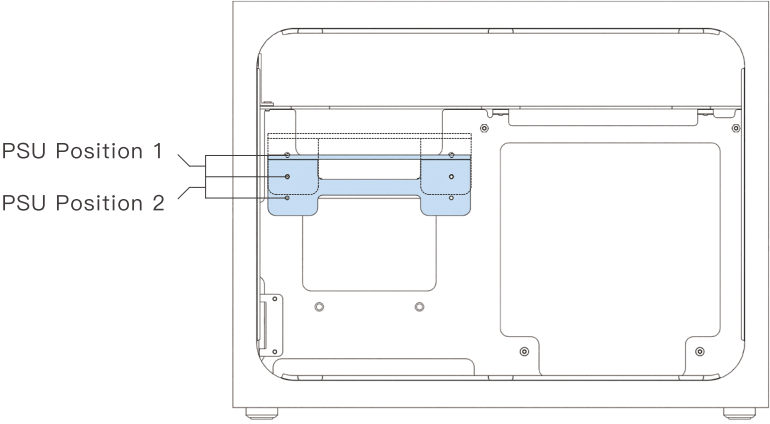
H2.0



Optional Steps

*The installation steps work for both Water Cooling and Air Cooling edition.
The model in this user guide may vary from the one you purchased.
While this information is current as of the date of printing this manual,
this information is subject to change without notice.
Please contact the customer service if you have any problems.

Power Supply Position Options



Bottom Fans Installation



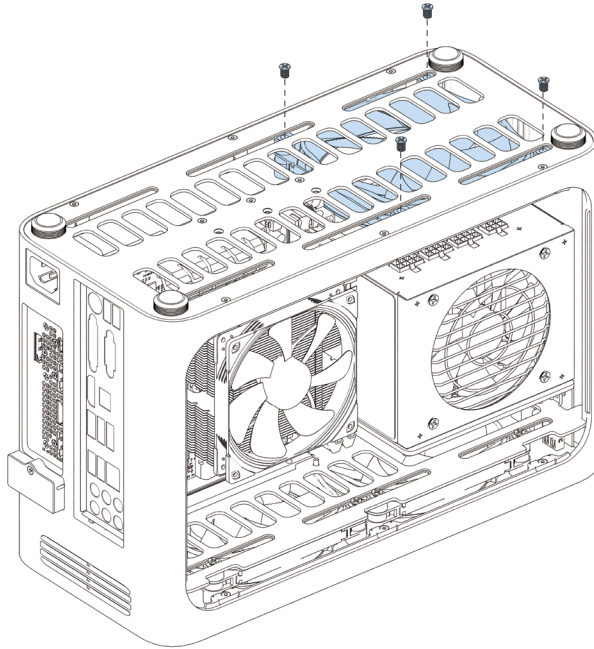
x1



x4



PH0



Brand:
IQUNIX

Origin:
China

Manufacturer:
Shenzhen Silver Storm Technology Co., Ltd.

Add:
**905 Block A, Rongchao Binhai Mansion, Hai Xiu Lu,
Bao'an District, Shenzhen, Guangdong Province, China**

Web:
WWW.IQUNIX.STORE

E-mail:
Support@IQUNIX.store

