



1.0 General:

Our series of modules are designed to provide superior transient and power fault protection for most data line applications, and most standard telephone line applications.

2.0 Module Dimensions:

	Height	Width	Depth
Module	2.55in	0.75in	0.50in

3.0 Installation Procedure:

Install the modules into the protector in detent position. A distinctive “notch” in the three long pins of the module indicates the detent position. This will connect the incoming tip / ring as well as grounding circuits of the module. Refer to figure 1 module diagram.

Note: When the module is in detent position it will protect only the incoming (Outside Plant) cable. In this position, no connection is made between the Incoming side and the Central Office or Customer Premise side of the installation. The module must be fully inserted to provide connection and protection to both the Central Office and Customer Premise side of the installation.

3.1 After all incoming and outgoing connections are completed, fully insert the terminal module until the base of the module meets the terminal block. This will connect the Distribution Termination (Outgoing) side of the unit to the Outside Plant (Incoming) side of the unit.

3.2 Fully test all connections.

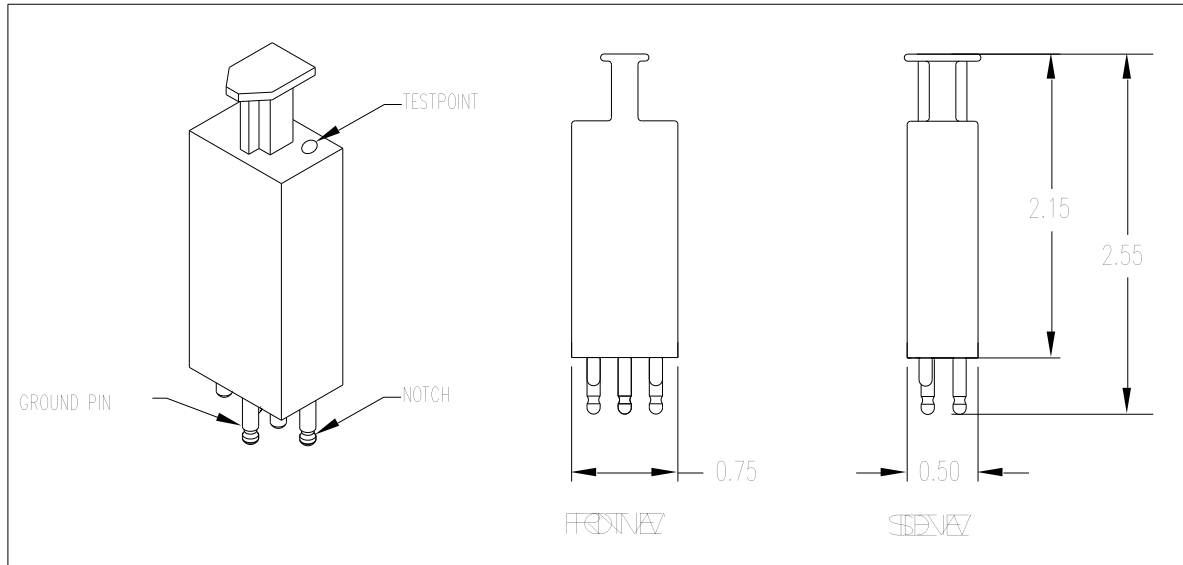
4.0 Grounding:

The module ground pin is the center, long, silver pin. It should be noted that incorrect bonding or grounding would result in failure.

5.0 Test points:

There are two test points located at the top of the module. They are connected to the incoming tip and ring. A test set can be used to verify whether the module is still in operating condition. The module can be checked for continuity as well as a dial tone.

Figure 1- Module Diagram



Important Note:

All statements, technical information and recommendations related to the Seller's products are based on information believed to be reliable, but the accuracy or completeness thereof is not guaranteed. Before utilizing the product, the user should determine the suitability of the product for its intended use. The user assumes all risks and liability whatsoever in connection with such use. Any statements or recommendations of the Seller which are not contained in the Seller's current publications shall have no force or effect unless contained in an agreement signed by an authorized officer of the Seller. The statements contained herein are made in lieu of all warranties, express or implied, including but not limited to the implied warranties of merchantability and fitness for a particular purpose which warranties are hereby expressly disclaimed. Seller shall not be liable to the user or any person under any legal theory, including but not limited to negligence or strict liability, for any injury or any direct or consequential damages sustained or incurred by reason of the use of any of the Seller's product that were defective.

Terminal shall be installed to the applicable requirements of the:
National Electrical Code, ANSI/NFPA 70(Article 800, Section C)
Canadian Electrical Code, Part 1 (Section 60)

TM91-0069

REV.02